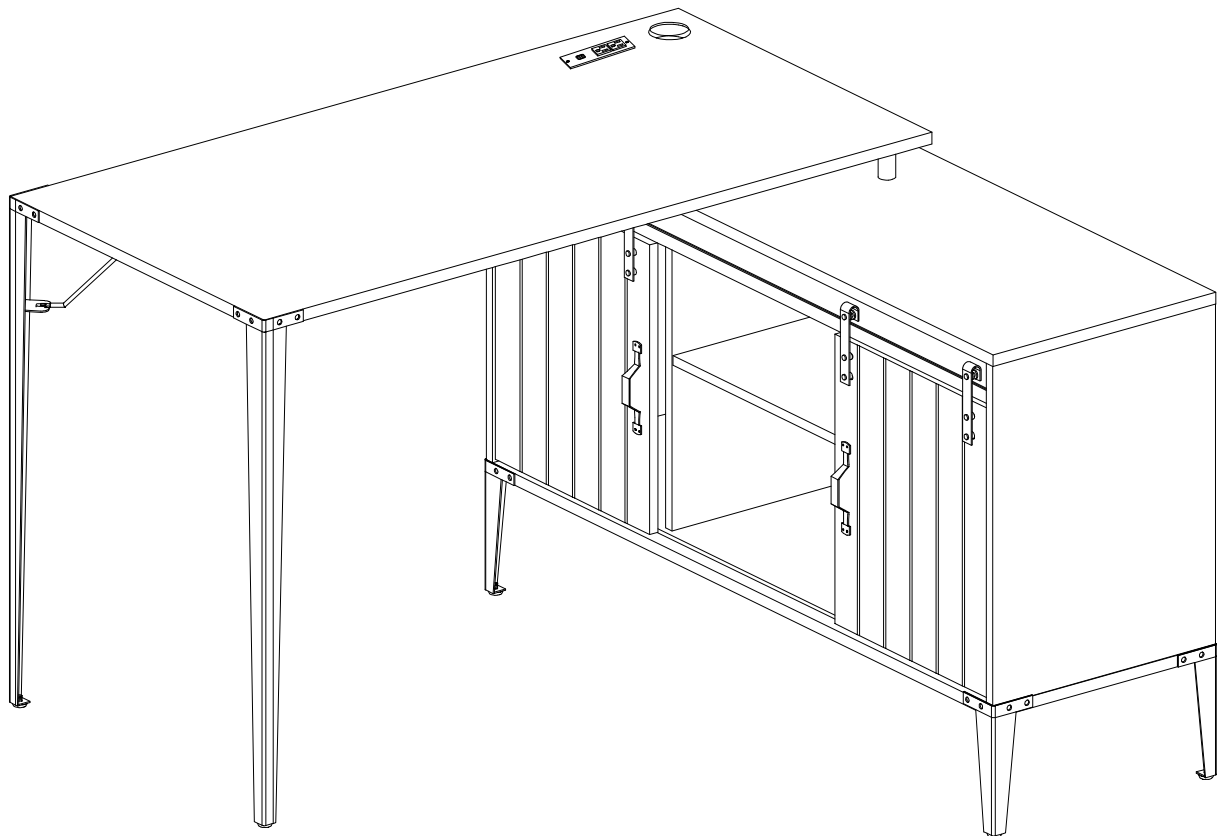


# ASSEMBLY INSTRUCTION FOR ACME FURNITURE

## MODEL# OF00011/OF00012

Thank you for purchasing the quality product. Be sure to check all packing material carefully for small parts which may have come loose inside the carton during shipment. Separate, identify and count all parts and metal hardware. Compare with all parts list to be sure all parts are present. If any part(s) are missing or damaged, please contact your local furniture dealer. For efficient and speedy service, please indicate the model number and code letter of part(s) needed.

**\*\*\*Do not fully tighten screws until fully assembled\*\*\***

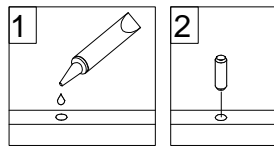


### Attention:

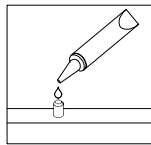
\*\*\*Some number parts listed on the instruction sheet may not be in parts bag as they may already be assembled. Carefully check parts and packing materials prior to ordering replacements.

# General Assembly Guidelines

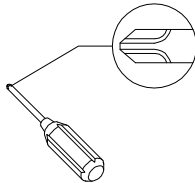
- I. Ensure that all parts and hardware are available before beginning assembly.
- II. Follow each step carefully to ensure the proper assembly of this product.
- III. Two people are recommended for ease in the assembly of this product.
- IV. The three main types of hardware used to assemble this product are : wood dowels , screws and bolts.
- V. The provided glue is to secure wood dowels in place . When first inserting dowels , locate the appropriate hole for the dowel , place a small amount of glue in the hole and insert the dowel . Wipe away excess glue immediately.



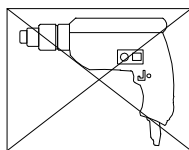
In future assembly steps when dowels are necessary to attach assembly parts together , place a small amount of glue on the end of the dowel before attaching parts together . Wipe away excess glue immediately.



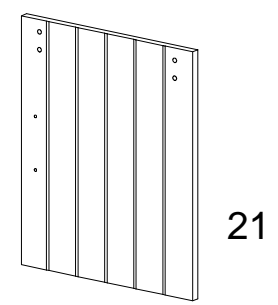
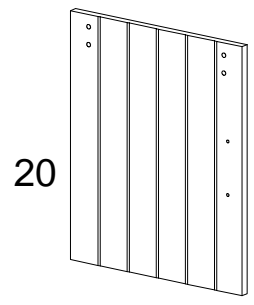
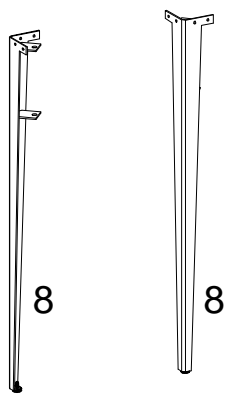
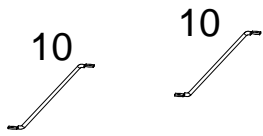
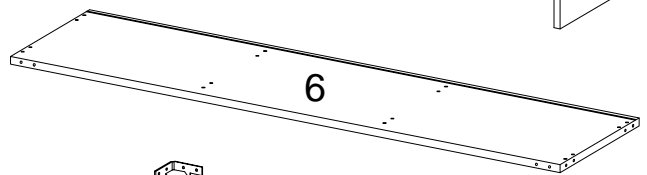
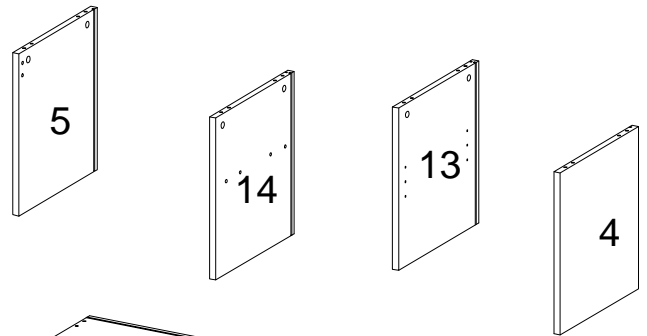
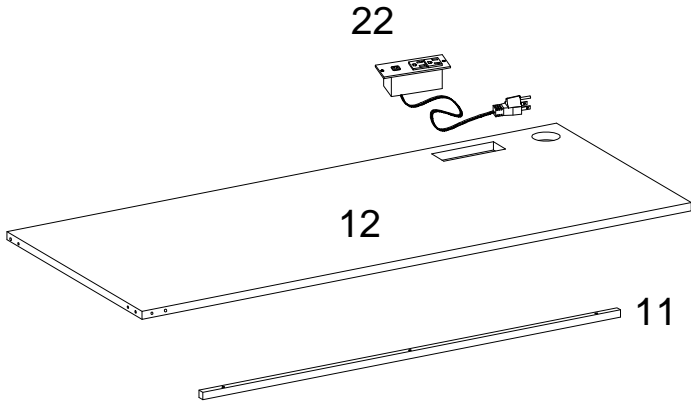
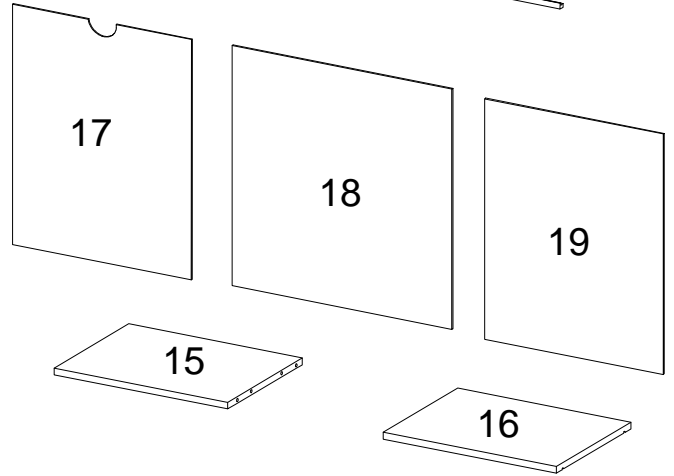
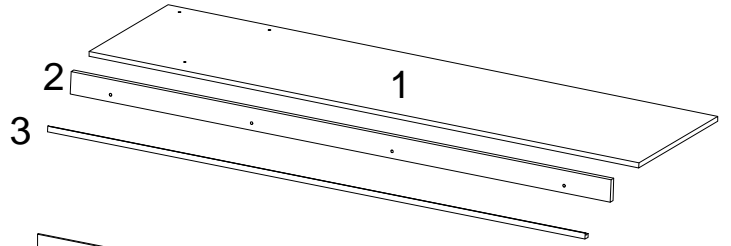
- VI. A Phillips head screwdriver is required for the assembly of this product .




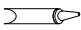


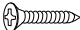




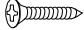

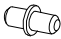




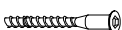
- VII. Power tools should not be used to assemble this product .








# Parts List

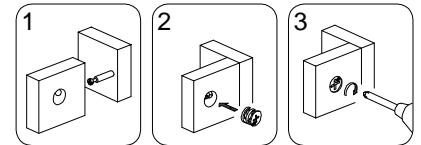
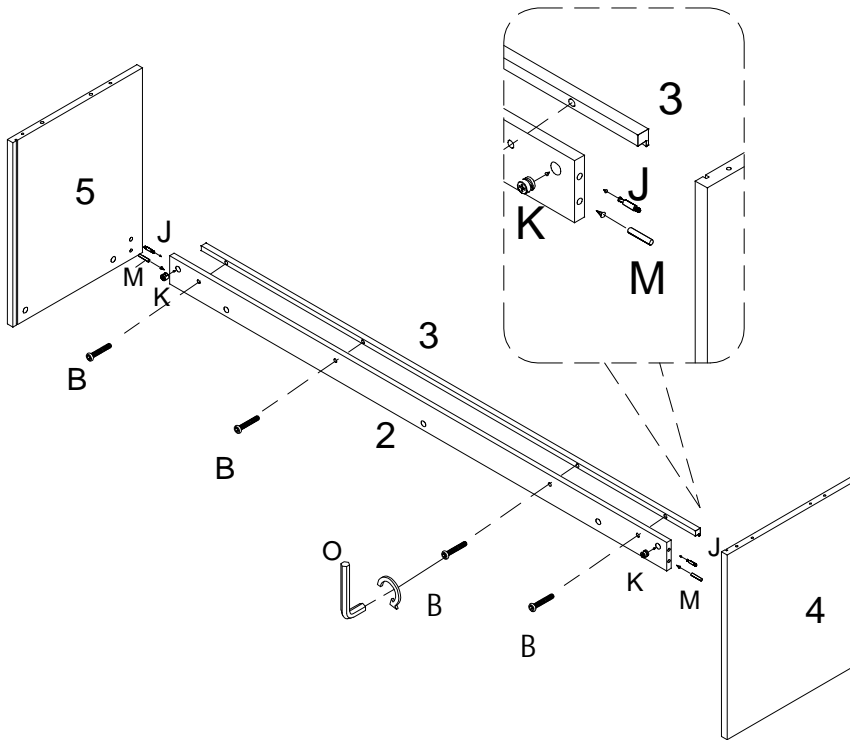


# Hardware List



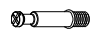


A		Ø1/4"x12mm	Bolt	32 pcs	O		M4mm	Hex Key	1	pcs
B		Ø1/4"x25mm	Bolt	7 pcs	P			Glue tube	1	pcs
C		Ø1/4"x12mm	Bolt	8 pcs	Q			Hole cover	1	pcs
D		Ø3.5x16mm	Screw	12 pcs	R			Hanging wheel	4	pcs
E			Corner code	2 pcs	S			Positioning iron	4	pcs
F		Ø4x18mm	Screw	4 pcs	T			Handle	2	pcs
G			Plastic wedge	12 pcs	U		Ø1/4"x15mm	Bolt	2	pcs
H		Ø3x17mm	Screw	14 pcs	V			Nut	2	pcs
I			Shelf support pin	4 pcs	W			Wrench	1	pcs
J		Ø6x35mm	Cam bolt	17 pcs	X			Bolt	3	pcs
K		Ø15x11mm	Cam lock	17 pcs	Y		Ø1/4"x45mm	Bolt	3	pcs
L			Sticker	17 pcs						
M		Ø8x30mm	Wooden dowel	22 pcs						
N		Ø6x50mm	Screw	8 pcs						

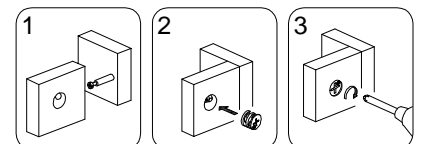
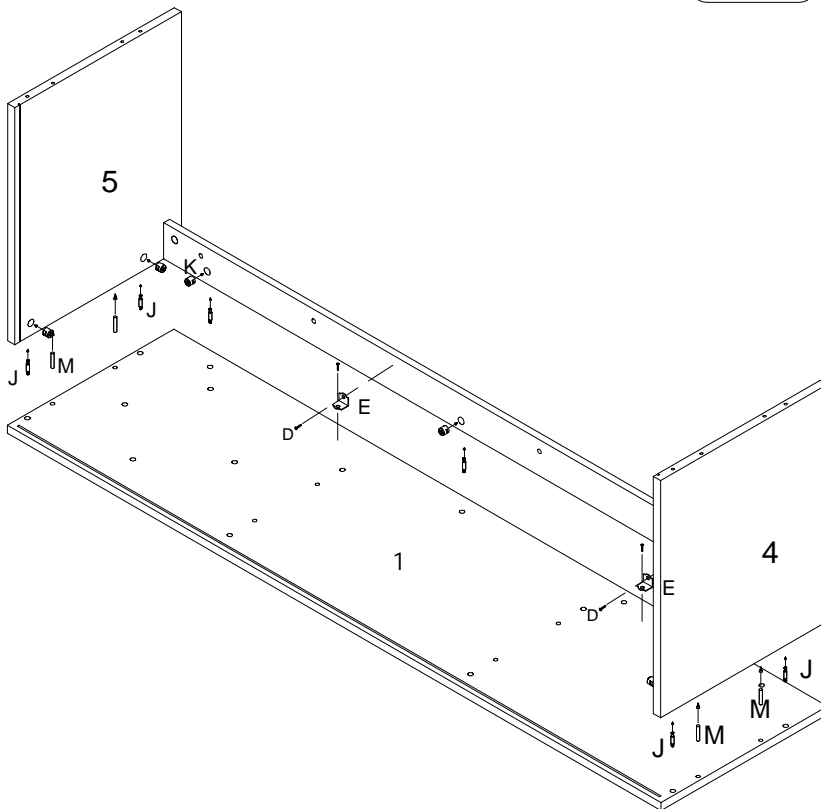
# Step 1

<b>B x 4</b>	<b>J x 2</b>	<b>K x 2</b>	<b>M x 2</b>	<b>O x 1</b>
				
Ø1/4"x25mm	Ø6x35mm	Ø15x11mm	Ø8x30mm	M4mm

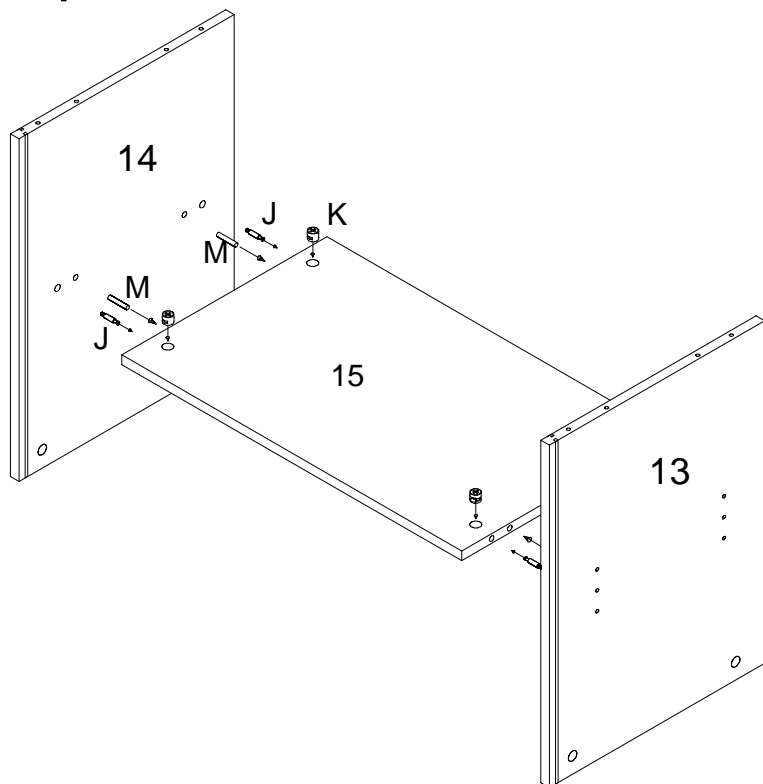


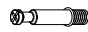


# Step 2

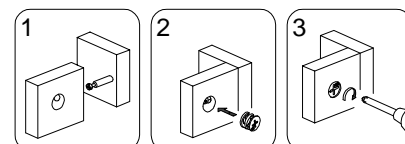
<b>D x 4</b>	<b>E x 2</b>	<b>J x 7</b>	<b>K x 7</b>	<b>M x 4</b>
				
Ø3.5x16mm		Ø6x35mm	Ø15x11mm	Ø8x30mm



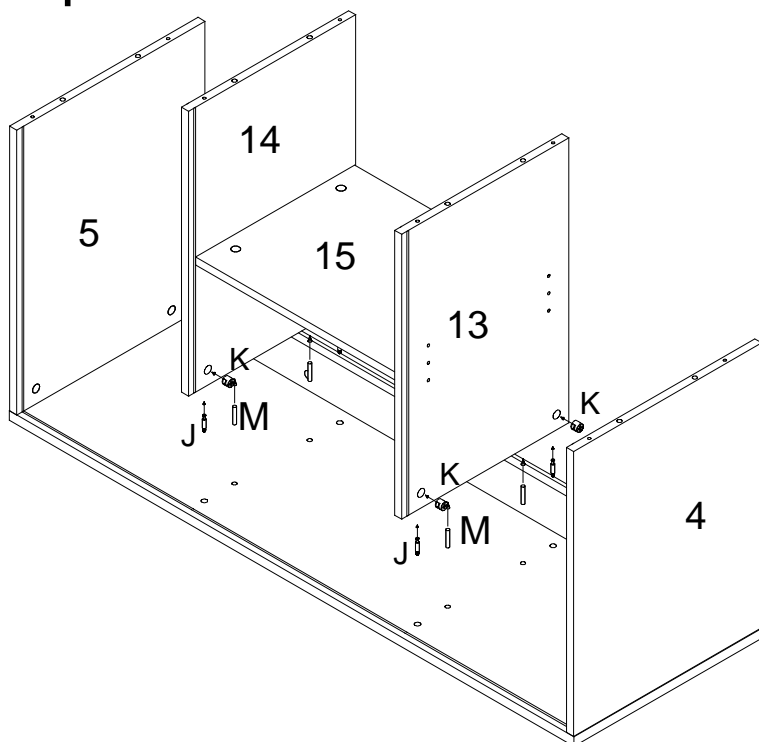
# Step 3

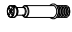




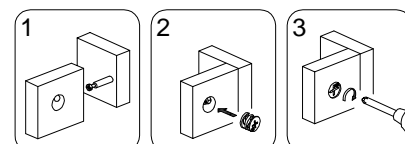
J x 4	K x 4	M x 4
		
Ø6x35mm	Ø15x11mm	Ø8x30mm



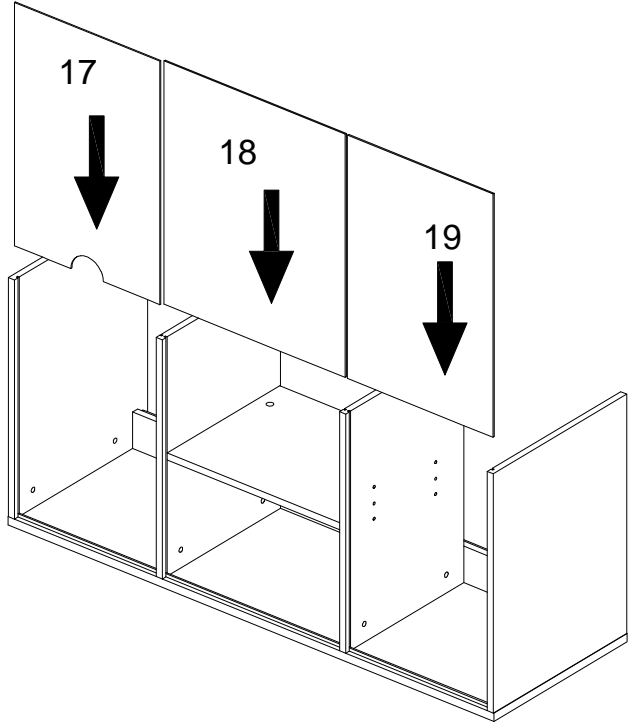
# Step 4



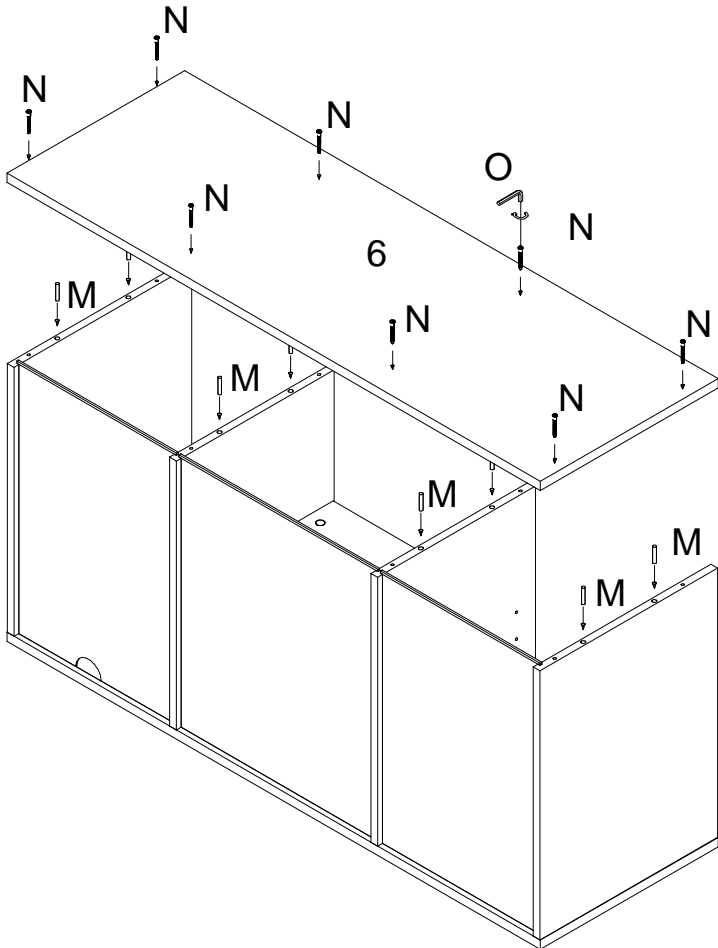
J x 4	K x 4	M x 4
		
Ø6x35mm	Ø15x11mm	Ø8x30mm



# Step 5


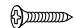


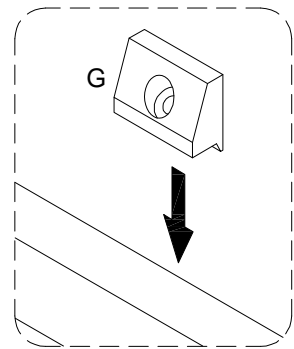
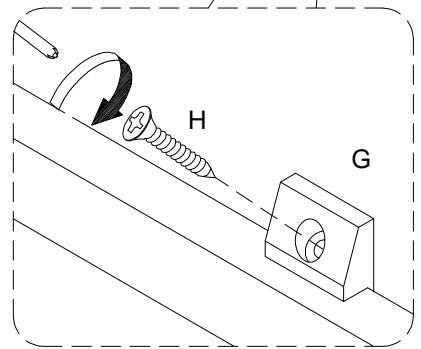
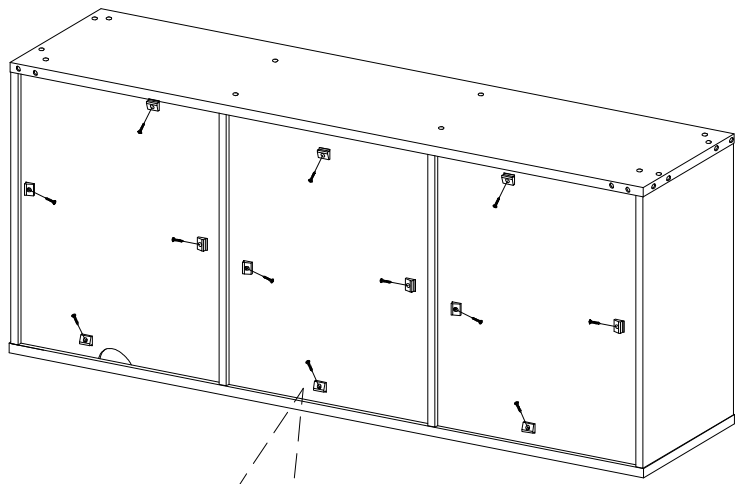
# Step 6





M x 8 Ø8x30mm	N x 8 Ø6x50mm	O x 1 M4mm
------------------	------------------	---------------

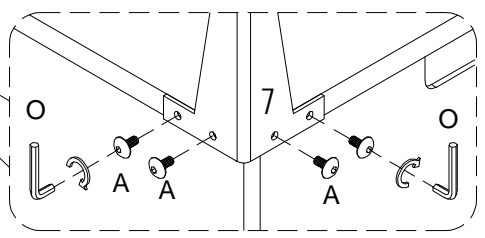
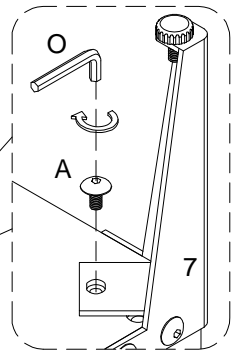
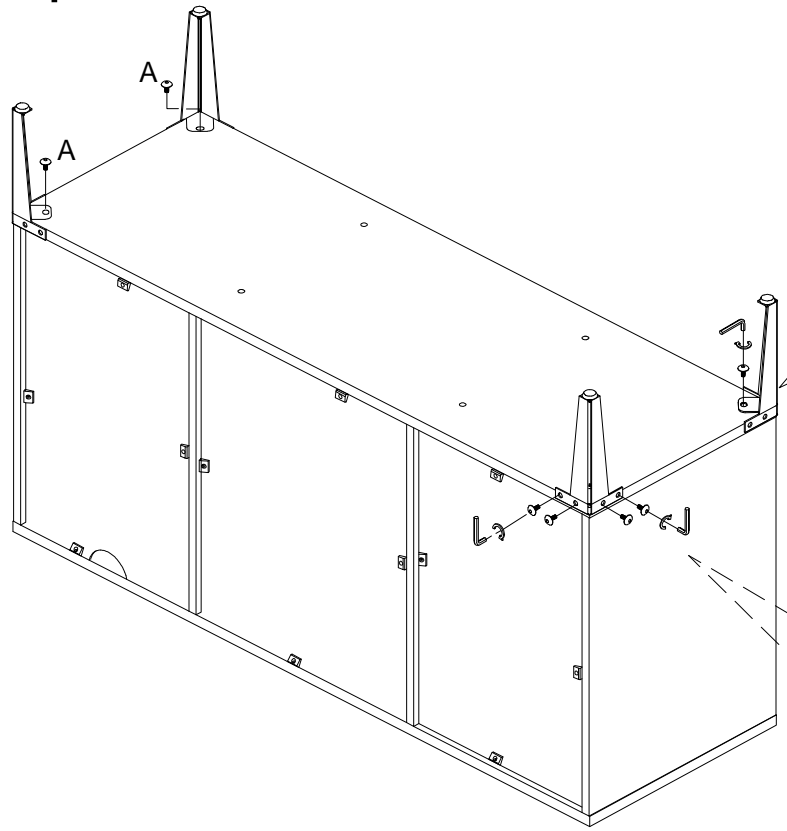
# Step 7

G x 12	H x 12
	
	Ø3x17mm



# Step 8

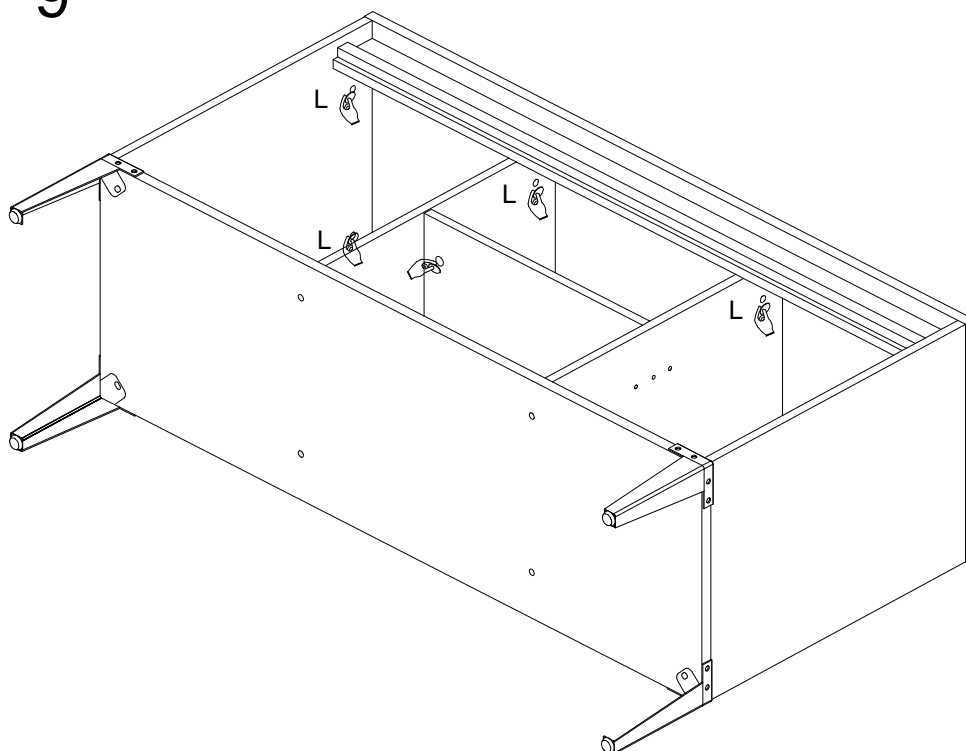
A x 20	O x 1
	
Ø1/4"x12mm	





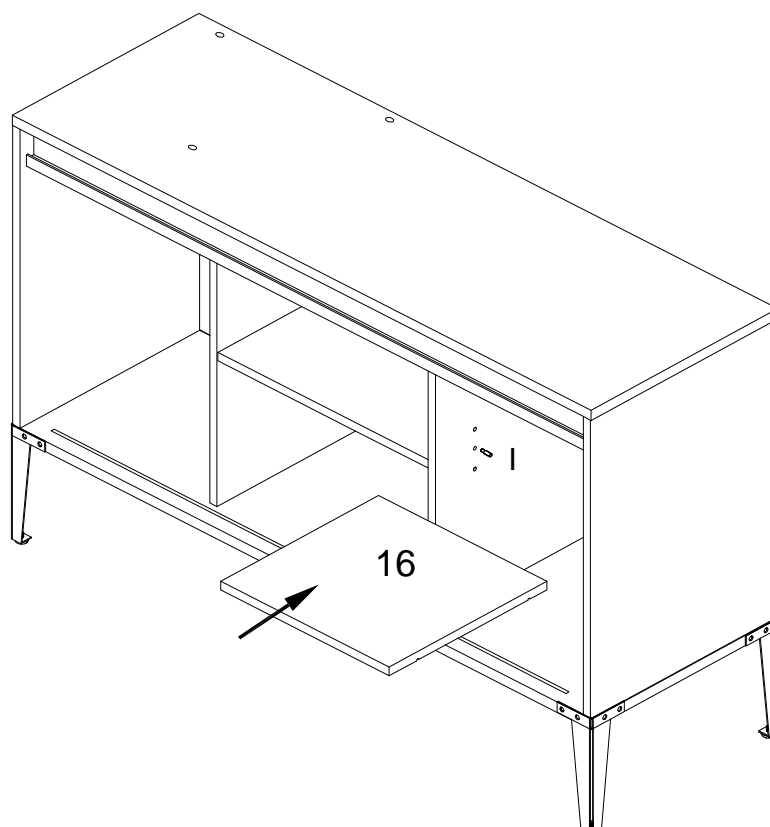
# Step 9

L x 17





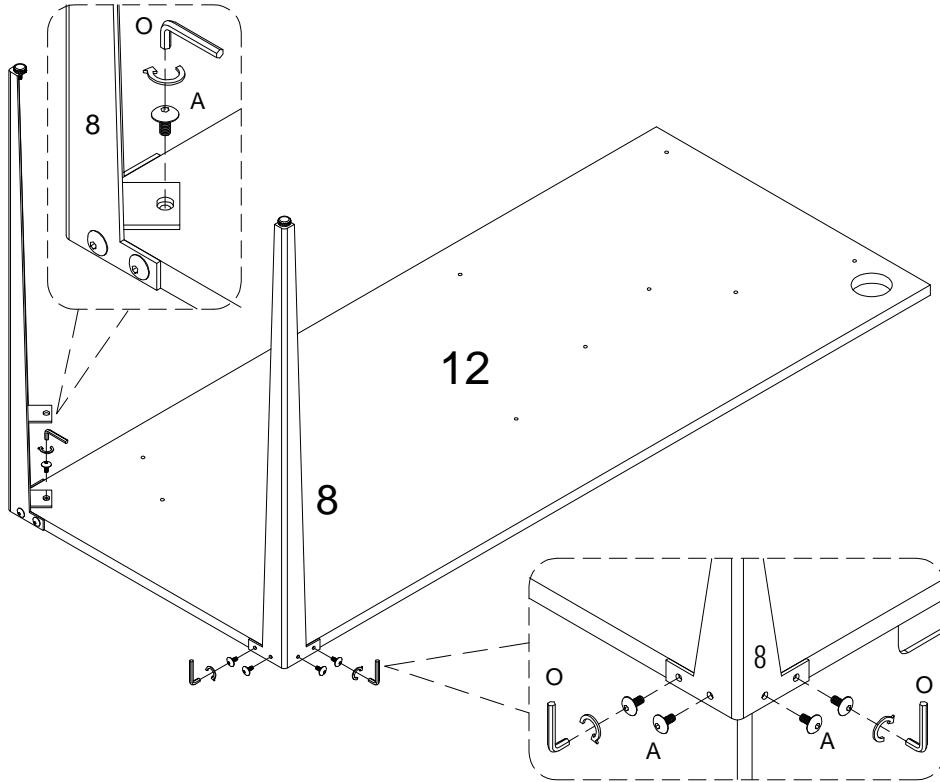
# Step 10

I x 4








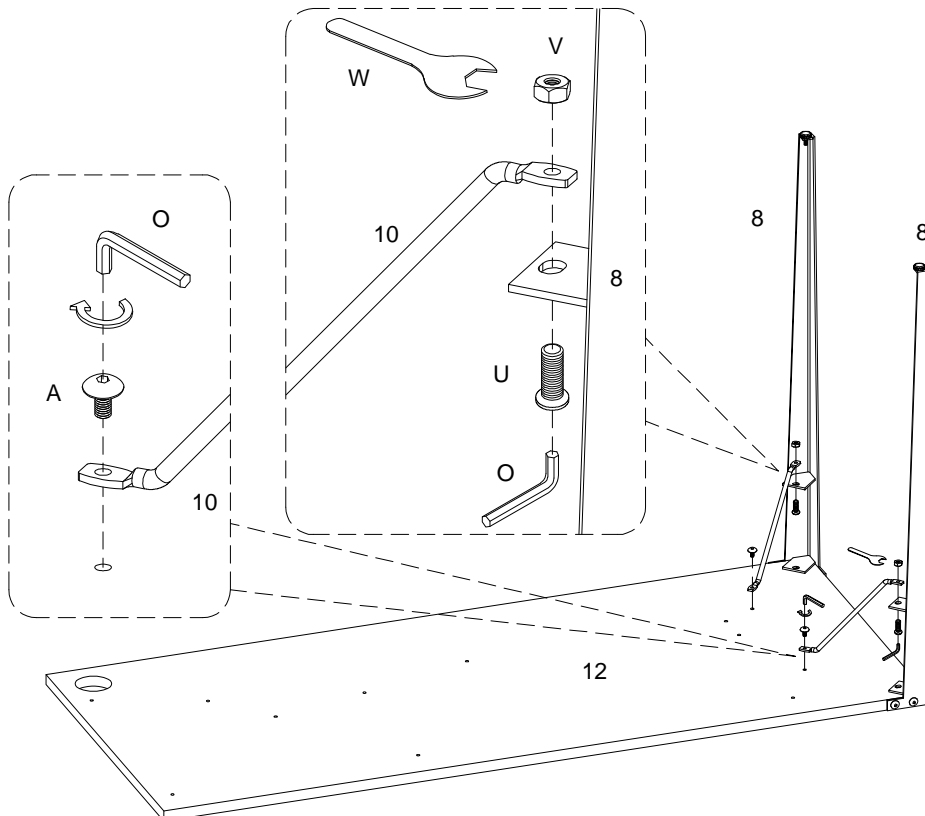
# Step 11

A x 10	O x 1
 Ø1/4"x12mm	



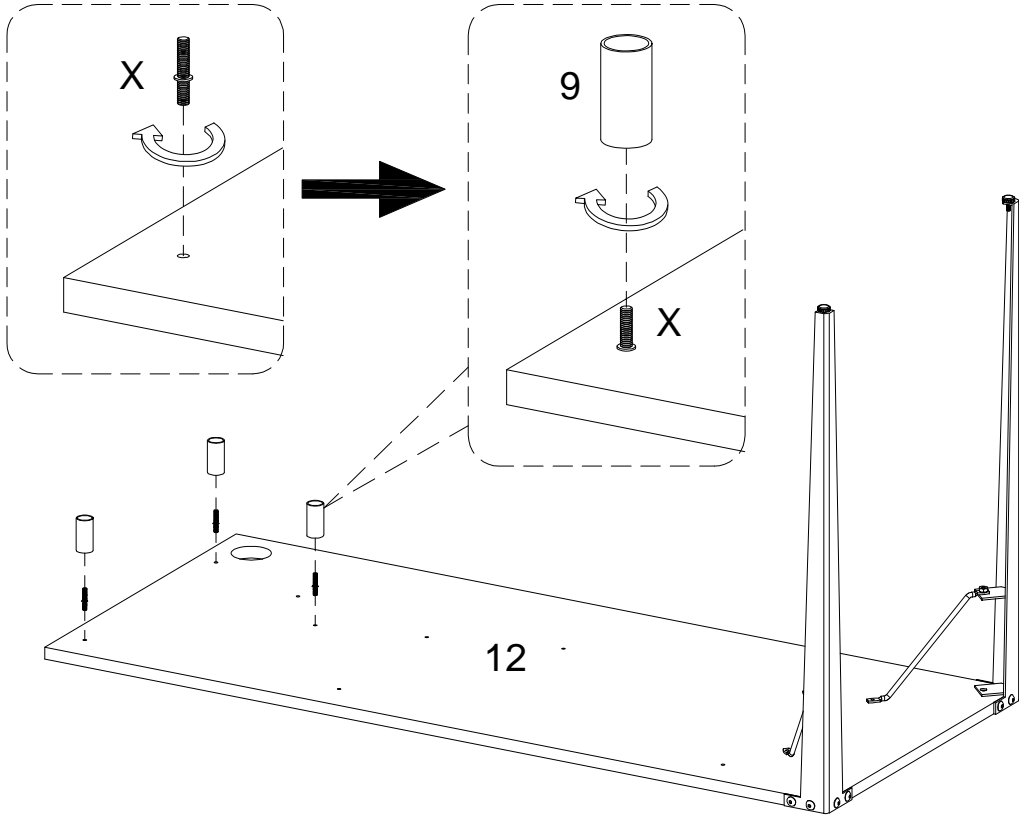
# Step 12

A x 2	O x 1	U x 2	V x 2	W x 1
 Ø1/4"x12mm		 Ø1/4"x15mm		





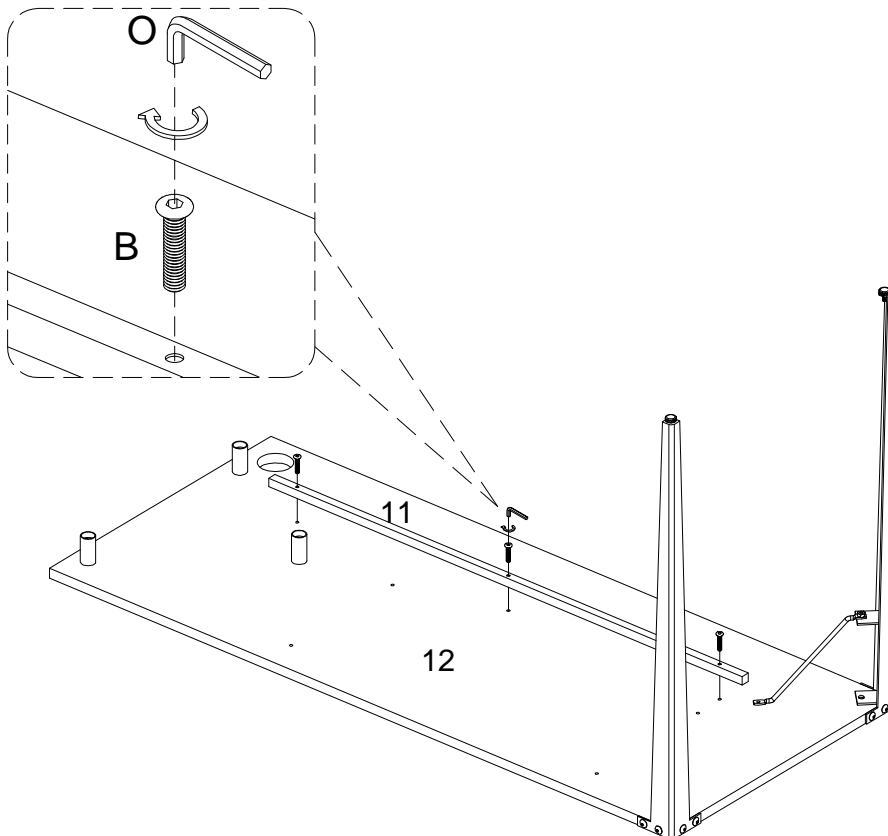
# Step 13

X x 3






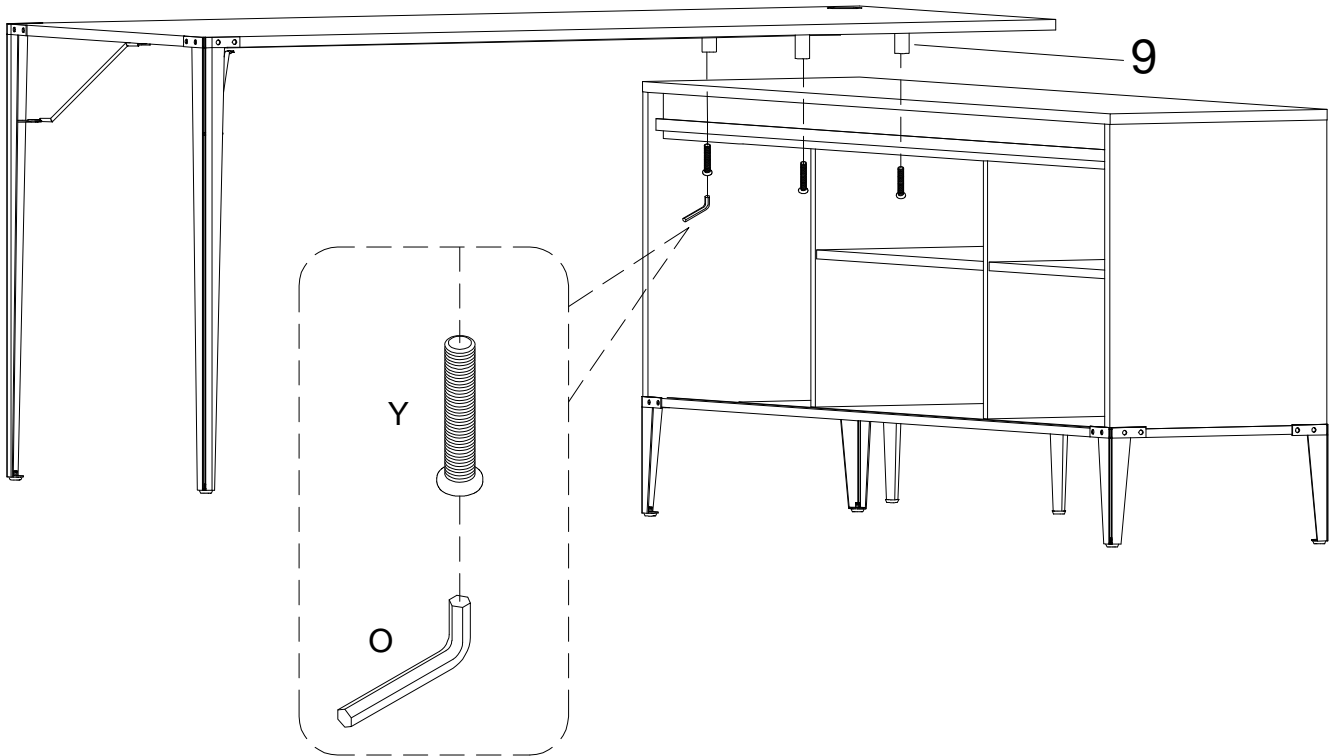
# Step 14

B x 3	O x 1
	
Ø1/4"x25mm	









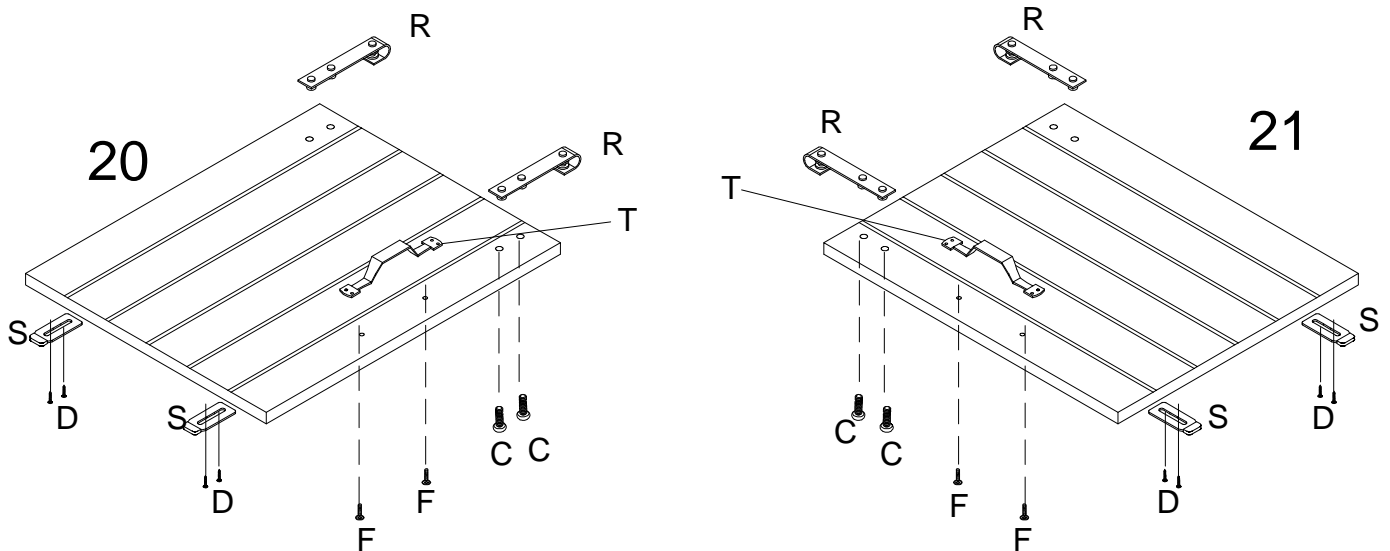
# Step 15

O x 1	Y x 3
	
	Ø1/4"x45mm

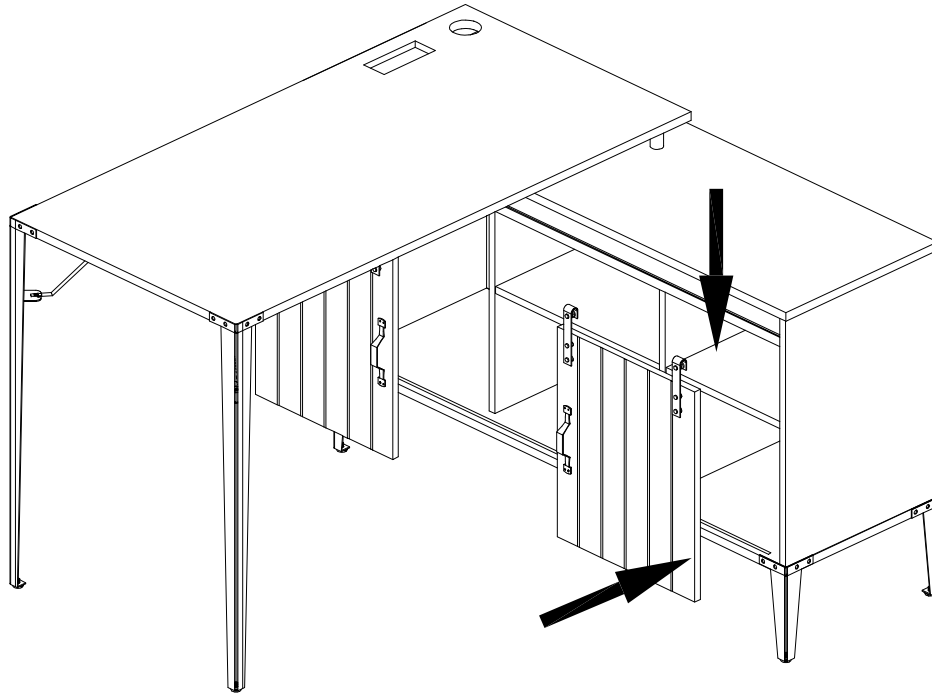


# Step 16



C x 8	D x 8	F x 4	R x 4	S x 4	T x 2
					
Ø1/4"x12mm	Ø3.5x16mm	Ø4x18mm			

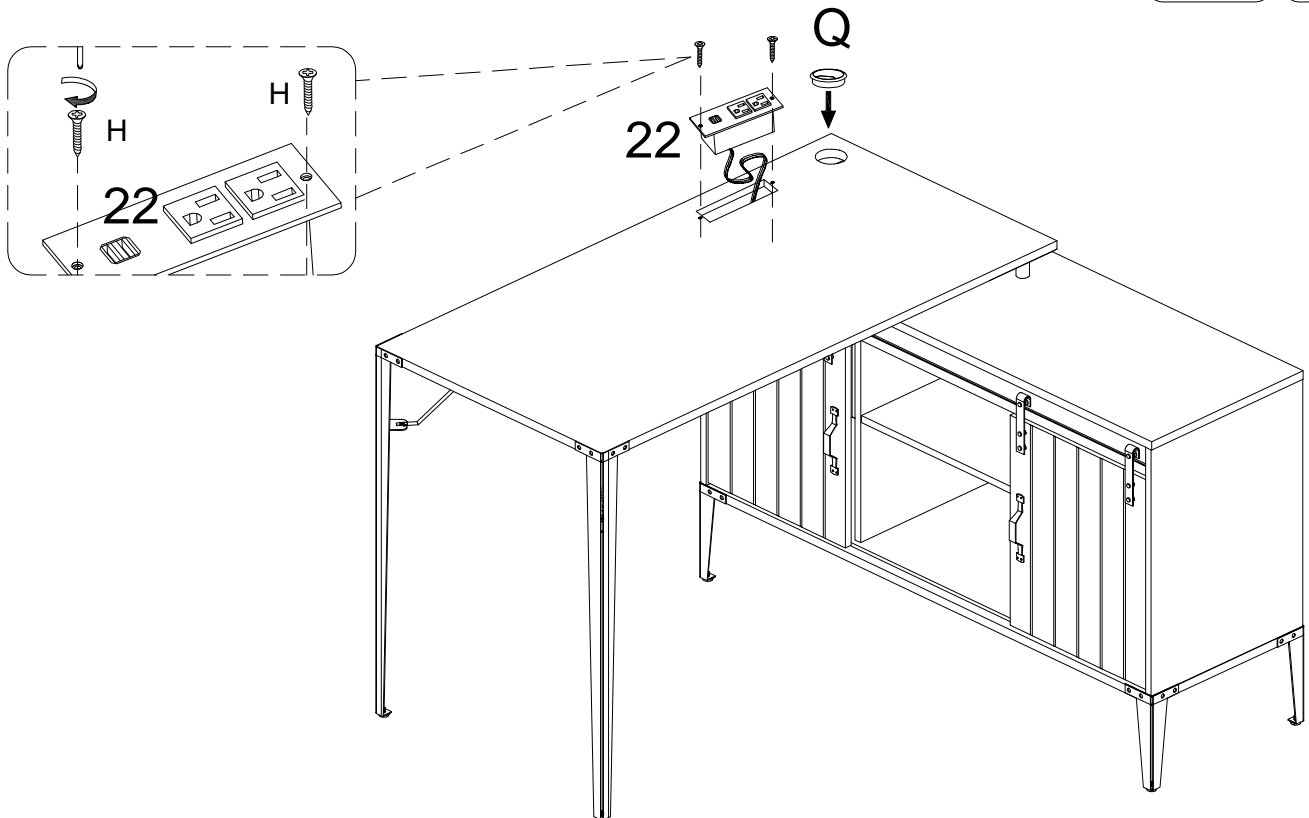


# Step 17

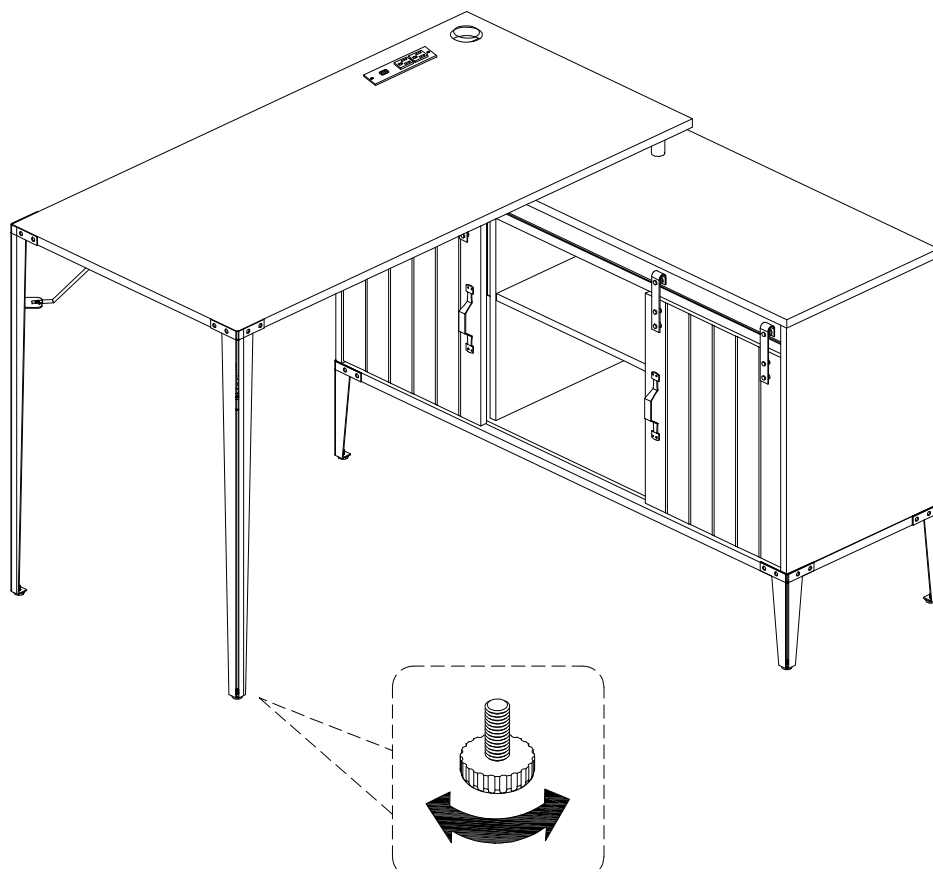


# Step 18

H x 2	Q x 1
 Ø3x17mm	



## Step 19



## Step 20

