



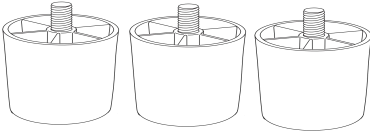


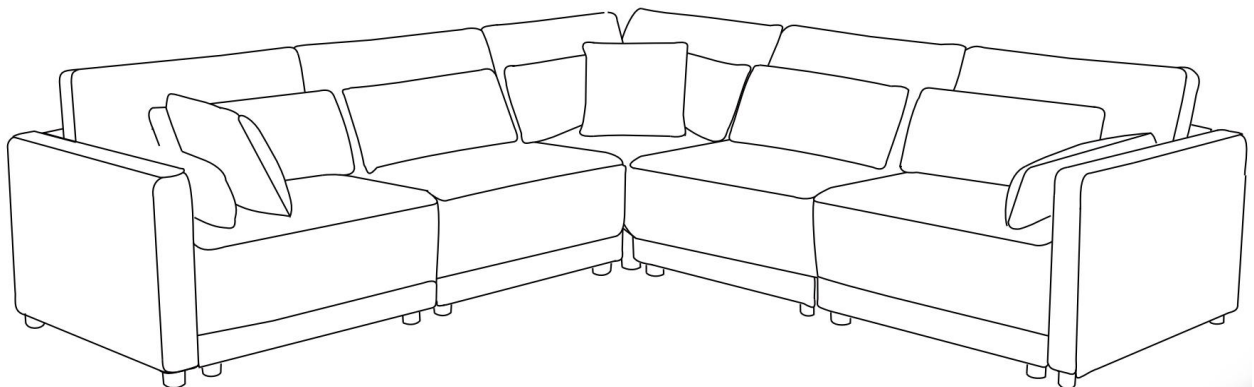
## ASSEMBLY INSTRUCTION FOR ACME FURNITURE MODEL#LV03150/51/52/53

Thank you for purchasing the quality product. Be sure to check all packing material carefully for small parts which may have come loose inside the carton during shipment. Separate, identify and count all parts and metal hardware. Compare with all parts list to be sure all parts are present. If any part(s) are missing or damaged, please contact your local furniture dealer. For efficient and speedy service, please indicate the model number and code letter of part(s) needed.

**\*\*Do not fully tighten screws until fully assembled \*\*\***

### COMPONENT PARTS

DESCRIPTION	PART NAME	QTY(PCS)
①	ARM REST PART (LEFT AND RIGHT) 2*WAIST 1*BACKREST 	2
②	Armless 1*BACKREST 1*WAIST 	2
③	CORNER 2*BACKREST 2*WAIST 1*PILLOW 	1
④	PILLOW 	1
<b>A</b>	LEG 	24



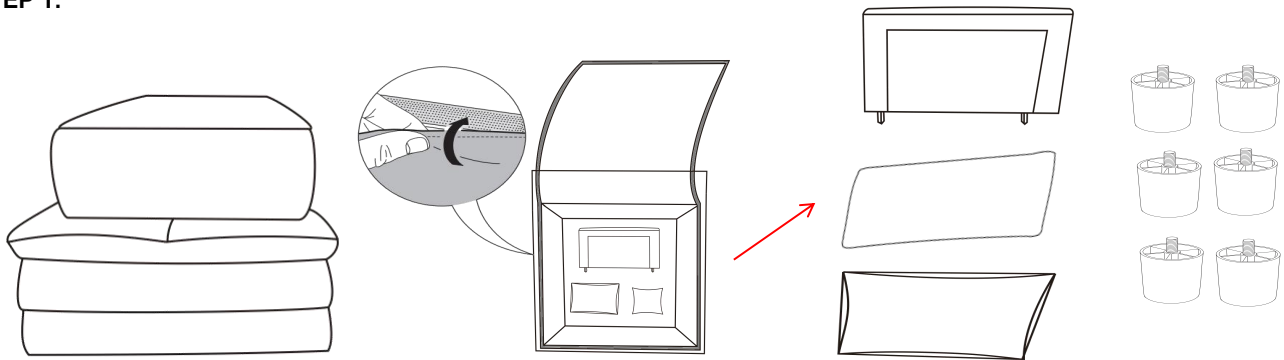
**Attention**

\*Some number parts listed on the instruction sheet may not be in parts bag as they may already be assembled.

# How to assemble:

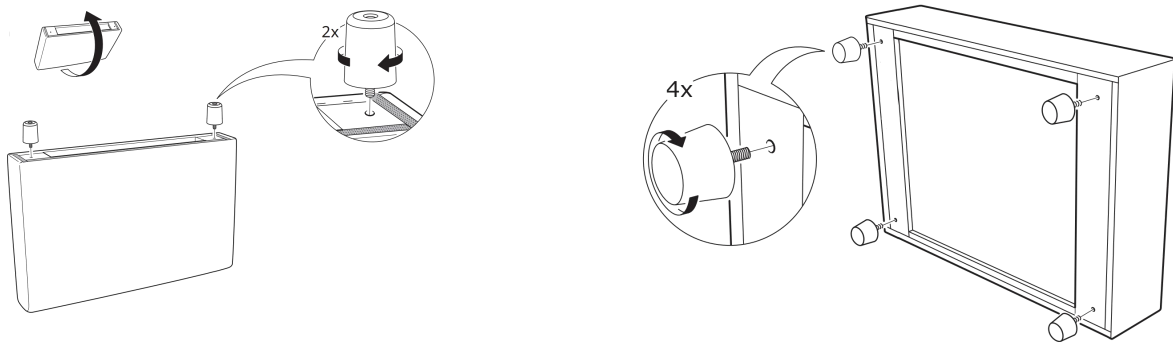
## ARMREST PART ASSEMBLE

### STEP 1:



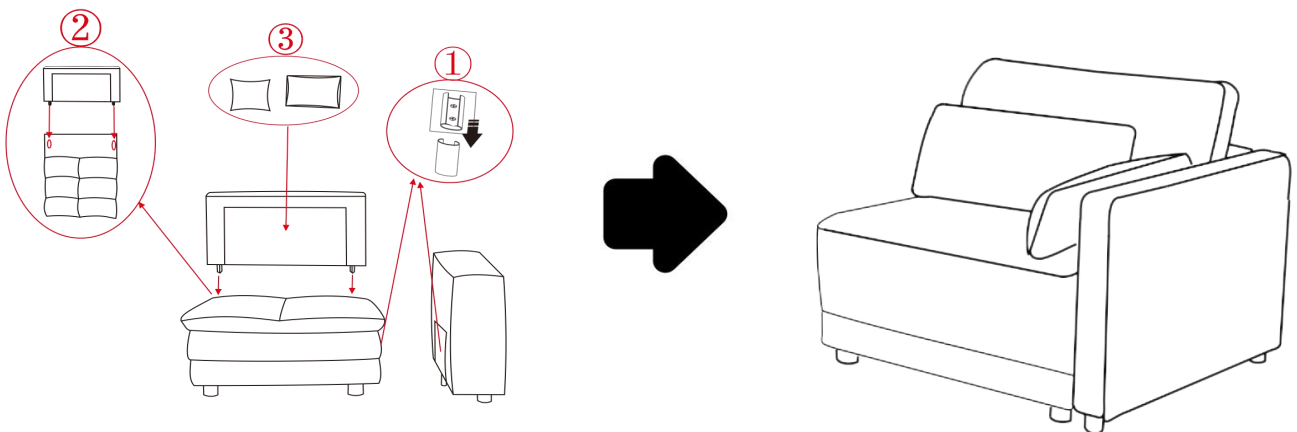
Armrest is on the sofa seating surface. Open the Velcro at the bottom of the sofa, take out the backrest, the backrest bag and the legs.

### STEP 2:



After taking the legs of the sofa out, close the Velcro, then rotate the foot clockwise to install.

### STEP 3:

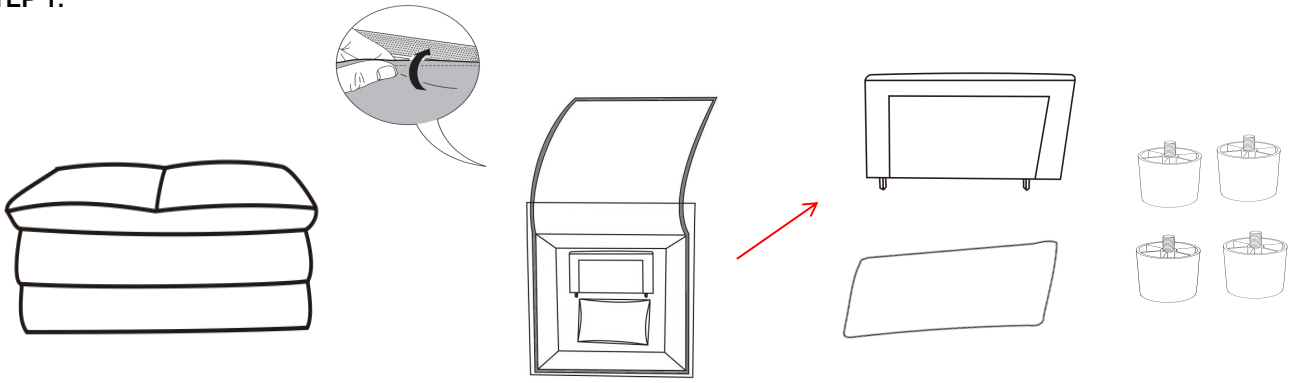


Align backrest with the socket hole and insert it into the back of the sofa,  
Align the sofa connector with the armrest and install the armrest.

# How to assemble:

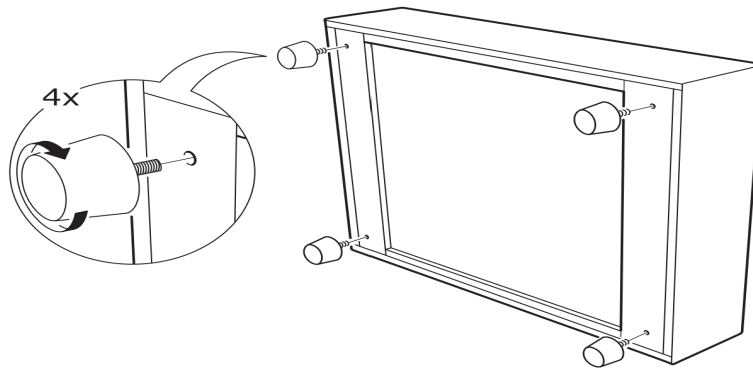
## ARMLESS PART ASSEMBLE

STEP 1:



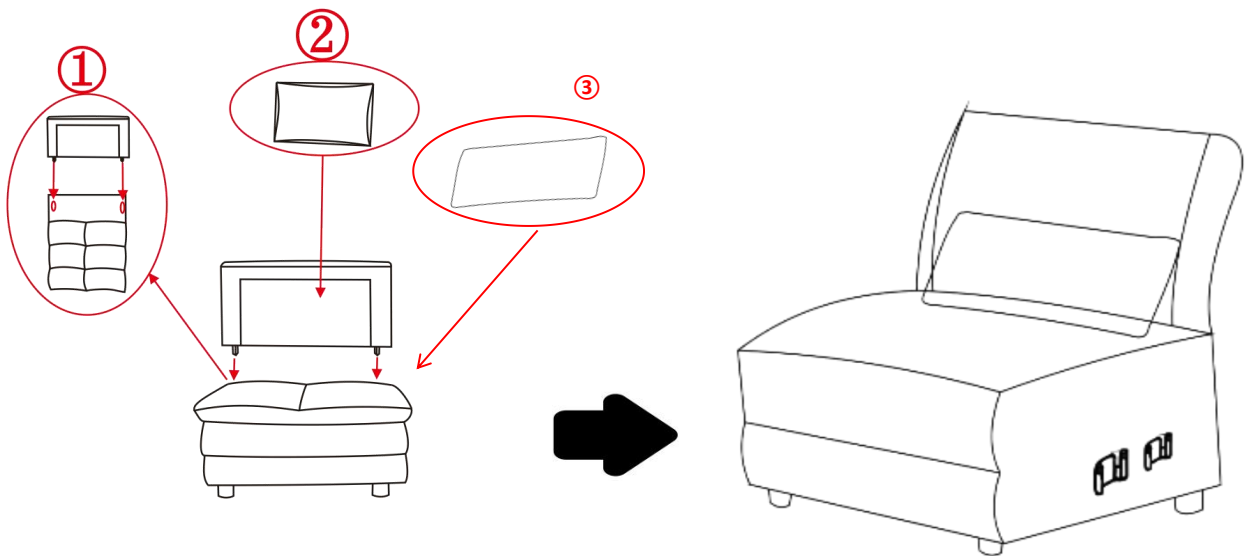
Open the Velcro at the bottom of the sofa, take out the backrest, the backrest bag and the legs.

STEP 2:



After taking the legs of the sofa out, close the Velcro, then rotate the foot clockwise to install.

STEP 3:

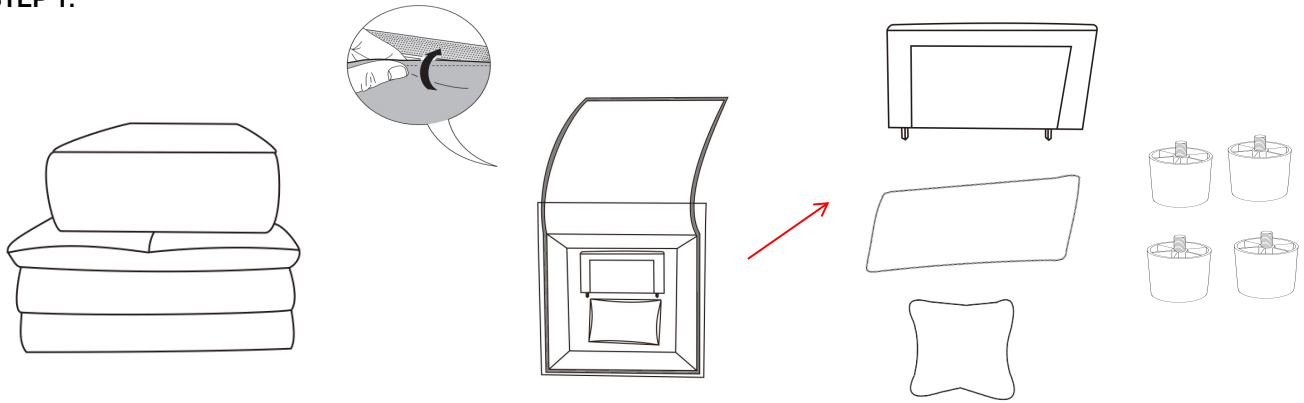


Align backrest with the socket hole and insert it into the back of the sofa

# How to assemble:

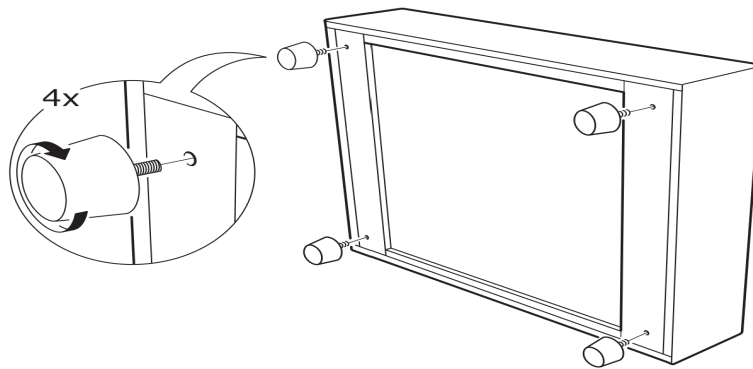
## CORNER PART ASSEMBLE

### STEP 1:



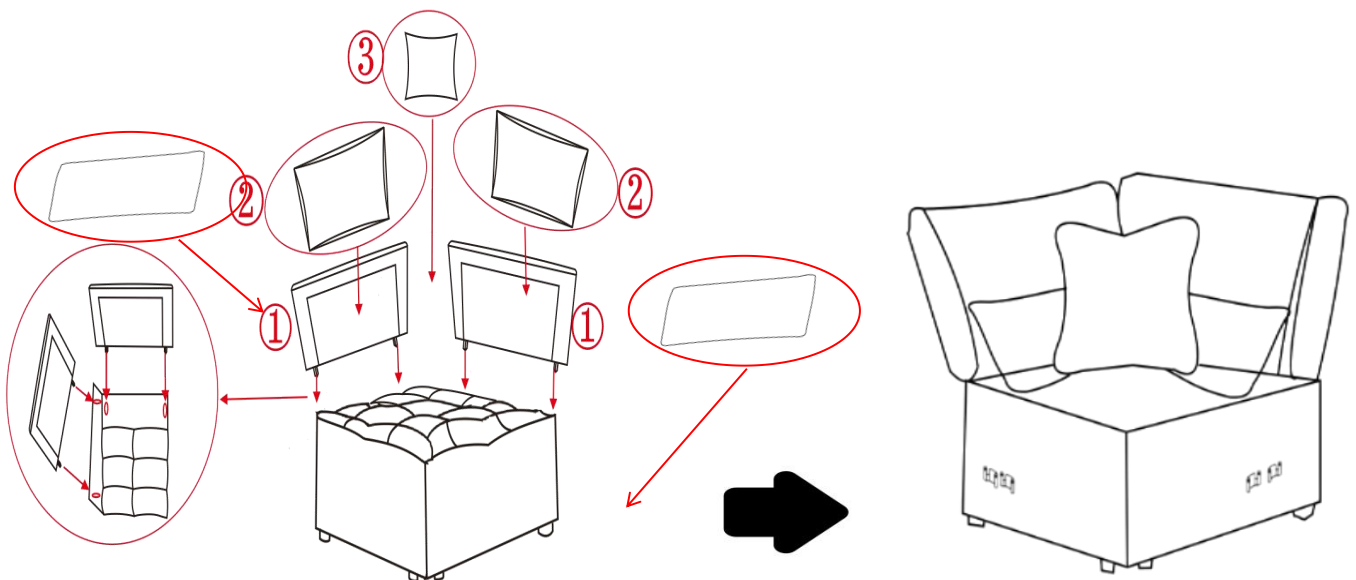
One backrest and one backrest bag are on the sofa seating surface. Open the Velcro at the bottom of the sofa, take out the the other backrest, backrest bag, pillow and the legs.

### STEP 2:



After taking the legs of the sofa out, close the Velcro, then rotate the foot clockwise to install.

### STEP 3:

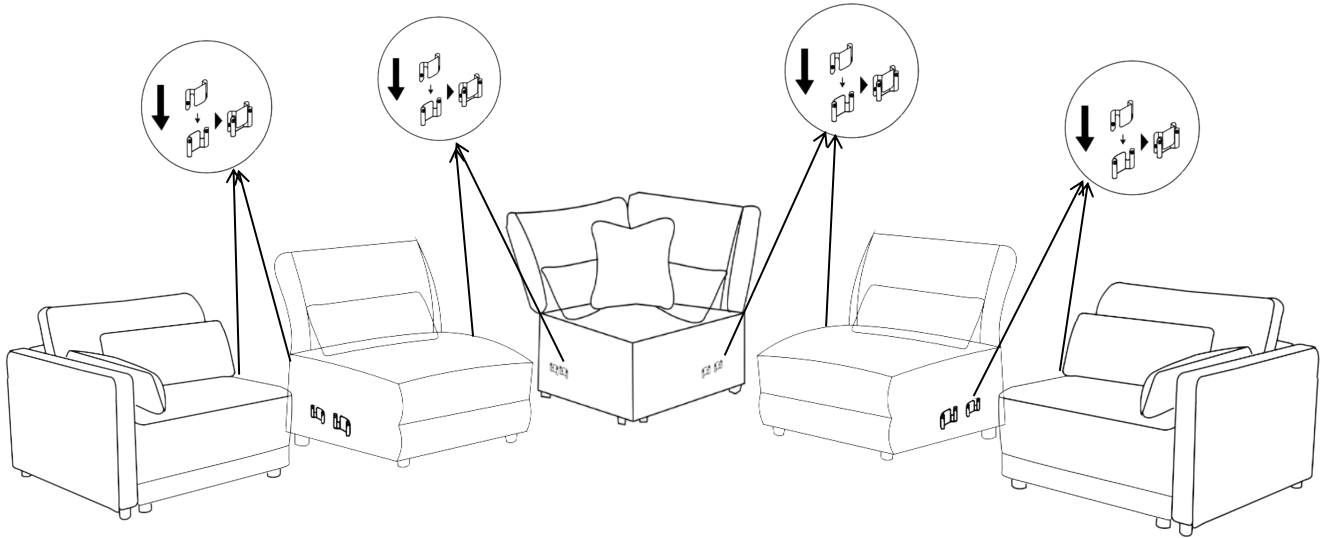


Align backrest with the socket hole and insert it into the back of the sofa

# How to assemble:

## SOFA PART

STEP 1:



**Connect the sofa with metal hangers**

**FINISH**

