











# ASSEMBLY INSTRUCTION FOR ACME FURNITURE

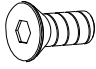


## MODEL#LV02797

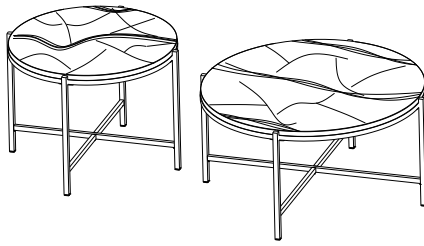
Thank you for purchasing this quality product. Be sure to check all packing material carefully for small parts which may have come loose inside the carton during shipment. Separate, identify and count all parts and metal hardware. Compare with parts list to be sure all parts are present. If any part(s) are missing or damaged, please contact your local furniture dealer. For efficient and speedy service, please indicate the model number and code letter of part(s) needed.

**\*\*\*Do not fully tighten screws until fully assembled\*\*\***

	COMPONENT PARTS		
DESCRIPTION	PART NAME		Q'TY (PCS)
Ⓐ	LARGE MARBLE TOP		1
Ⓑ	LARGE TOP FRAME		1
Ⓒ	SHORT LEG		4
Ⓓ	LARGE BOTTOM STRECHER		1
Ⓔ	LARGE BOTTOM STRECHER WITH HOLE		1
Ⓕ	SMALL MARBLE TOP		1
Ⓖ	SMALL TOP FRAME		1
Ⓗ	LONG LEG		4
Ⓘ	SMALL BOTTOM STRECHER		1
Ⓙ	SMALL BOTTOM STRECHER WITH HOLE		1

## HARDWARE REQUIRED

①		BOLT	1/4" x 1/2"	38 PCS
②		END CAP	20mm	8 PCS
③		ALLEN WRENCH	1/4"	1 PC



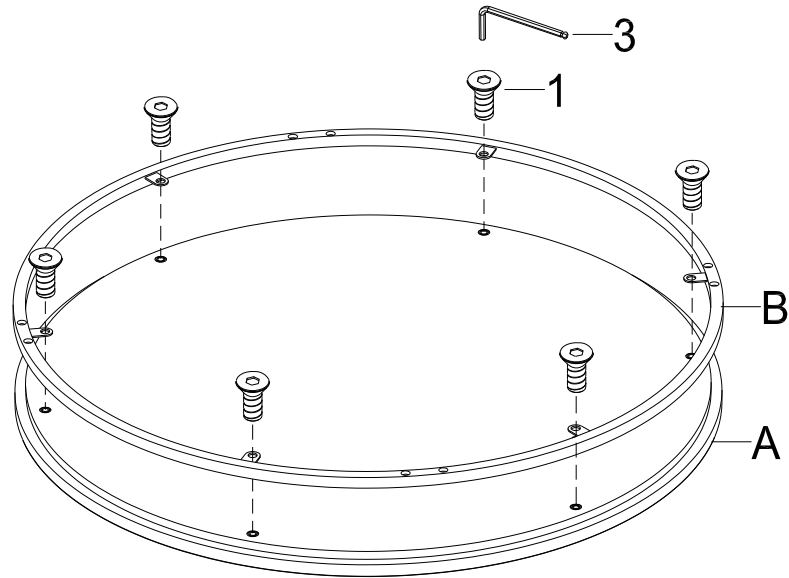
**Attention**

\*\*\*Some number parts listed on the instruction sheet may not be in parts bag as they may be assembled.

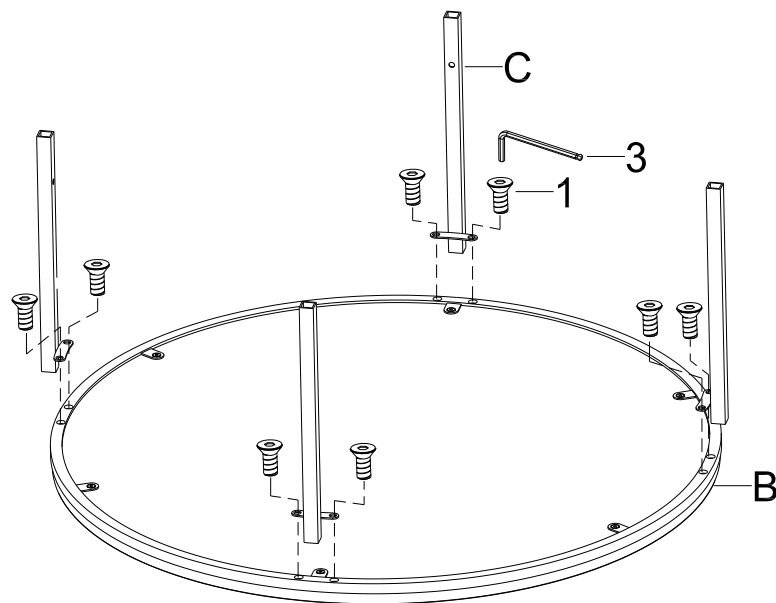
Carefully check parts and packing materials prior to ordering replacements.

**How to assemble:**

**STEP 1**  
**LARGE TABLE**

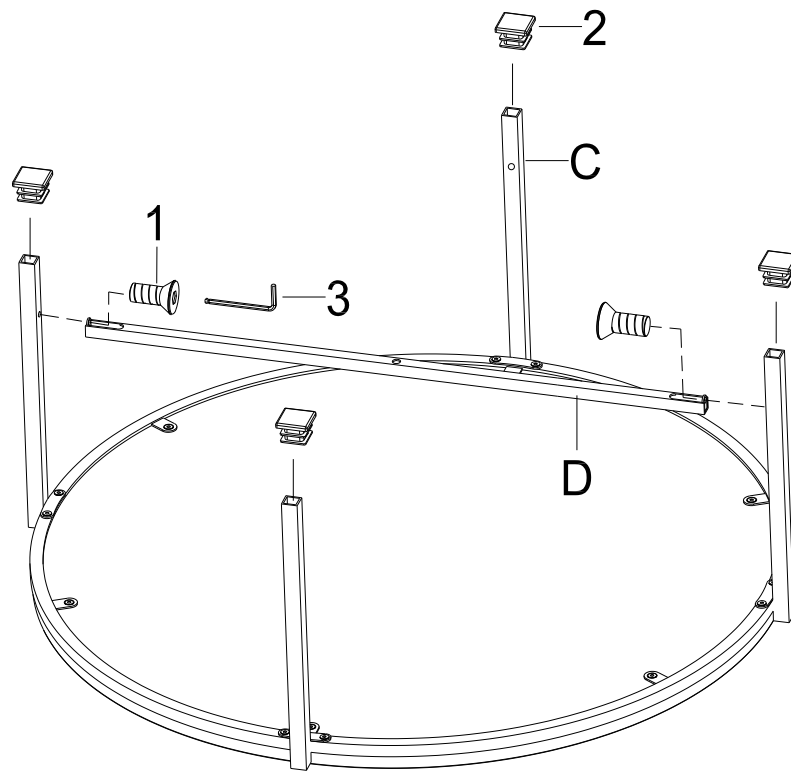


**STEP 2**  
**NOTED: USE THE SHORT ONES FOR LEGS**

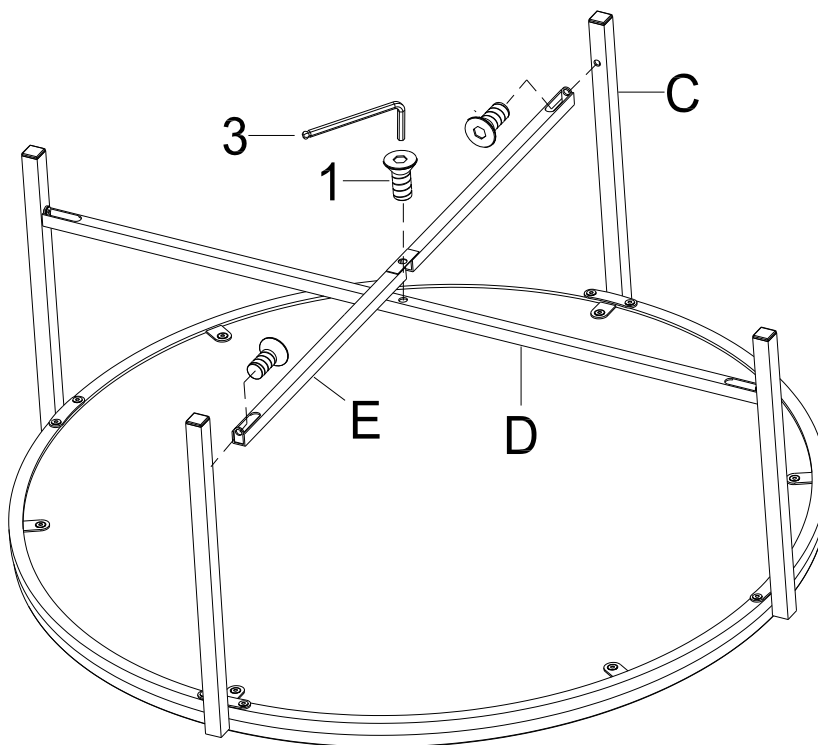


# How to assemble:

## STEP 3



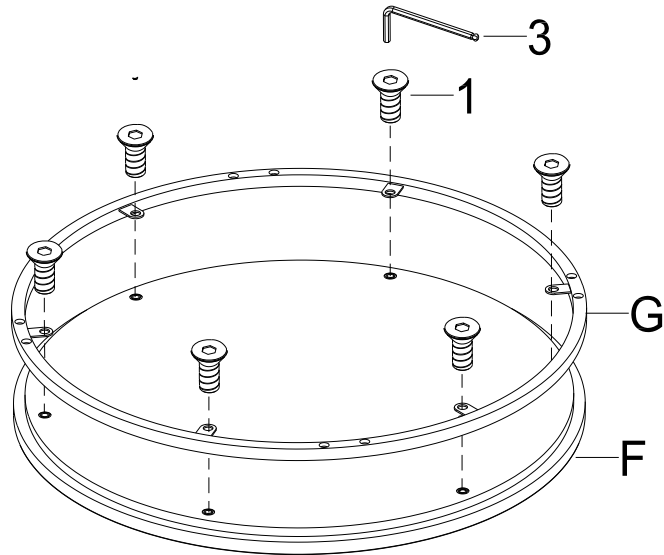
## STEP 4



# How to assemble:

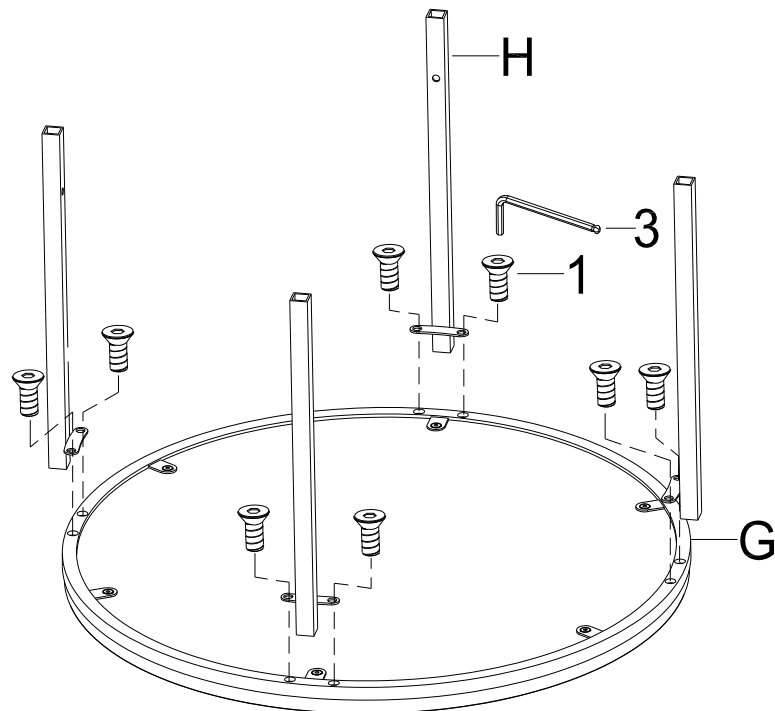
## STEP 5

### SMALL TABLE



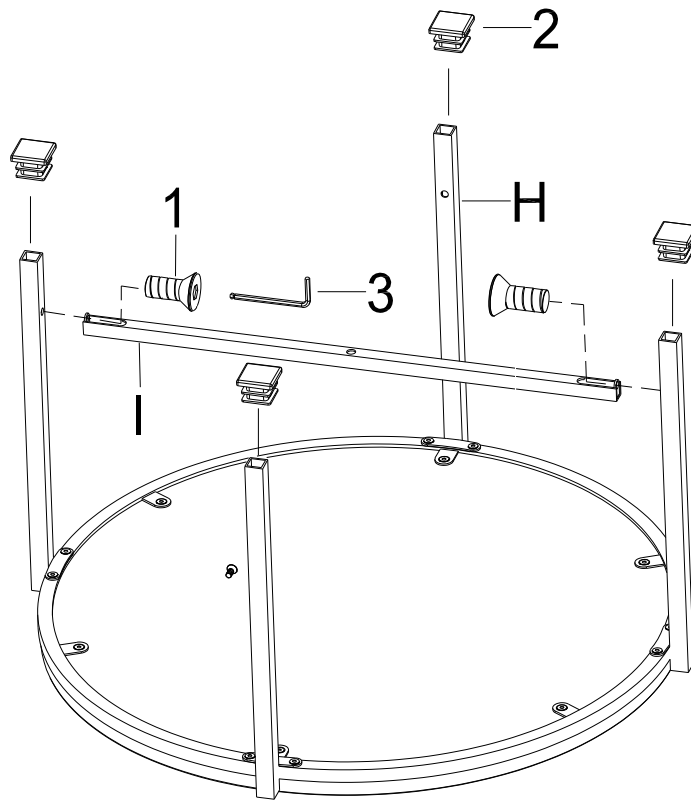
## STEP 6

NOTED: USE THE LONG ONES FOR LEGS



# How to assemble:

## STEP 7



## STEP 8

