



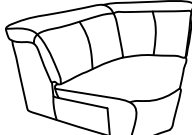
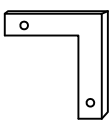


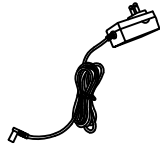


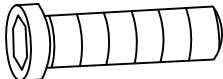
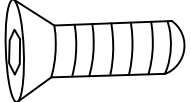


ASSEMBLY INSTRUCTION FOR ACME FURNITURE

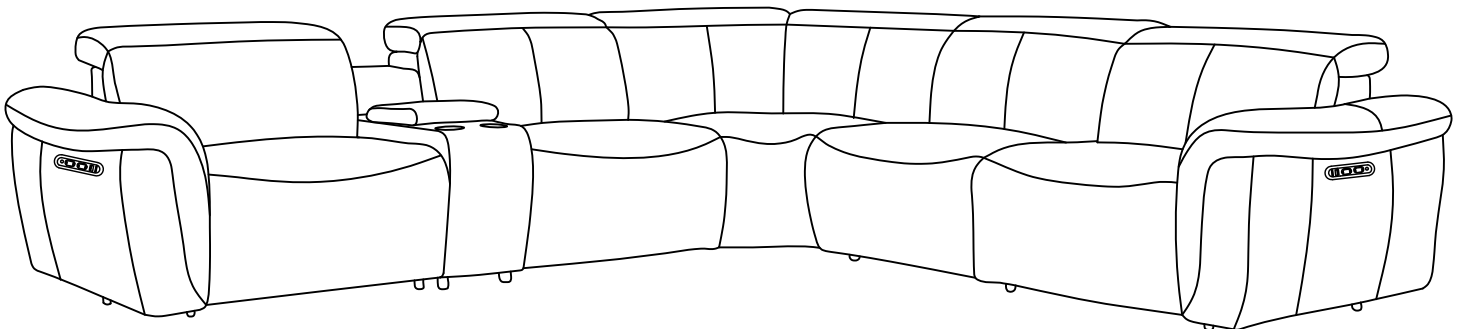
MODEL#LV02680

Thank you for purchasing the quality product. Be sure to check all packing material carefully for small parts which may have come loose inside the carton during shipment. Separate, identify and count all parts and metal hardware. Compare with all parts list to be sure all parts are present. If any parts) are missing or damaged, please contact your local furniture dealer. For efficient and speedy service, please indicate the model number and code letter of parts) needed.

COMPONENT PARTS		
DESCRIPTION	PART NAME	QTY(PCS)
①	 LEFT CHAIR	1
②	 RIGHT CHAIR	1
③	 ARMLESS CHAIR	2
④	 CONSOLE	1
⑤	 WEDGE	1
⑥	 WOODEN LEGS	4
⑦	 METAL LEGS	8
⑧	 PLASTIC LEGS	17
⑨	 ADAPTOR	2

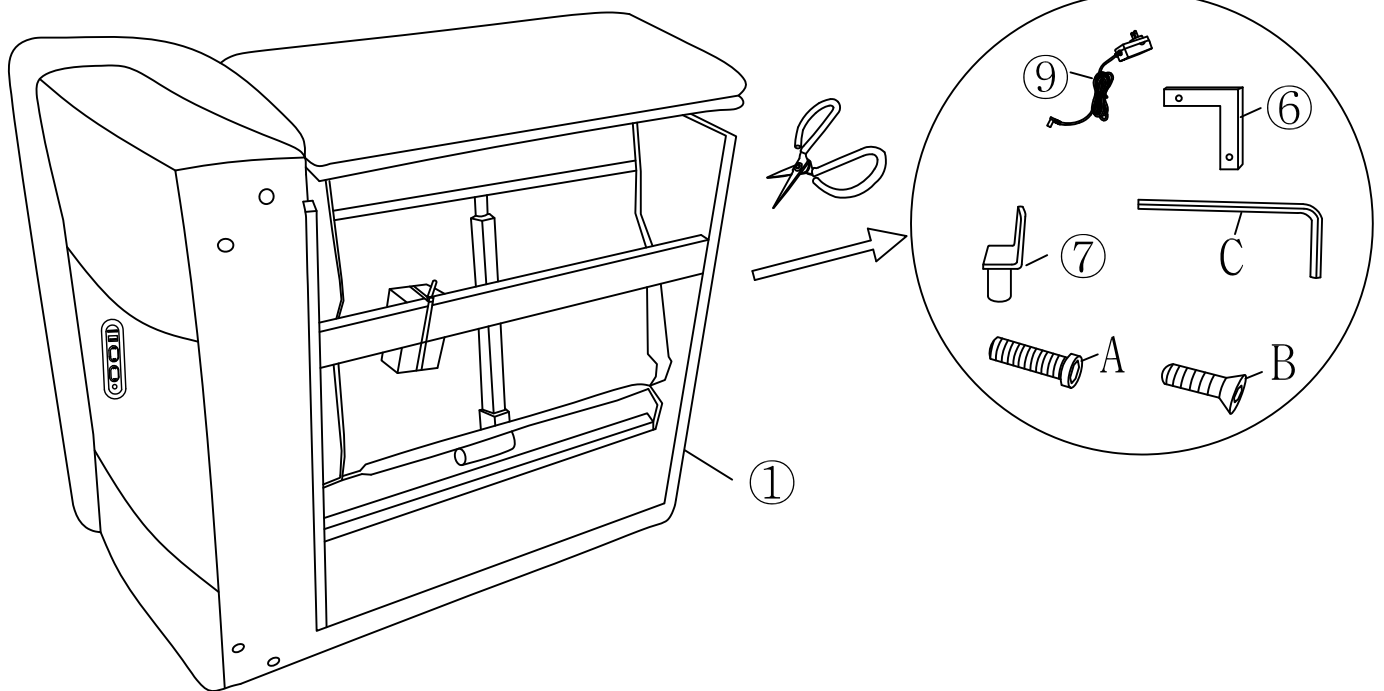
HARDWARE REQUIRED

A		BOLT	M8*45mm	8pcs
B		BOLT	M6*20mm	16pcs
C		ALLEN KEY		2pcs
D		PLASTIC WASHER	Ø48*3mm	17pcs

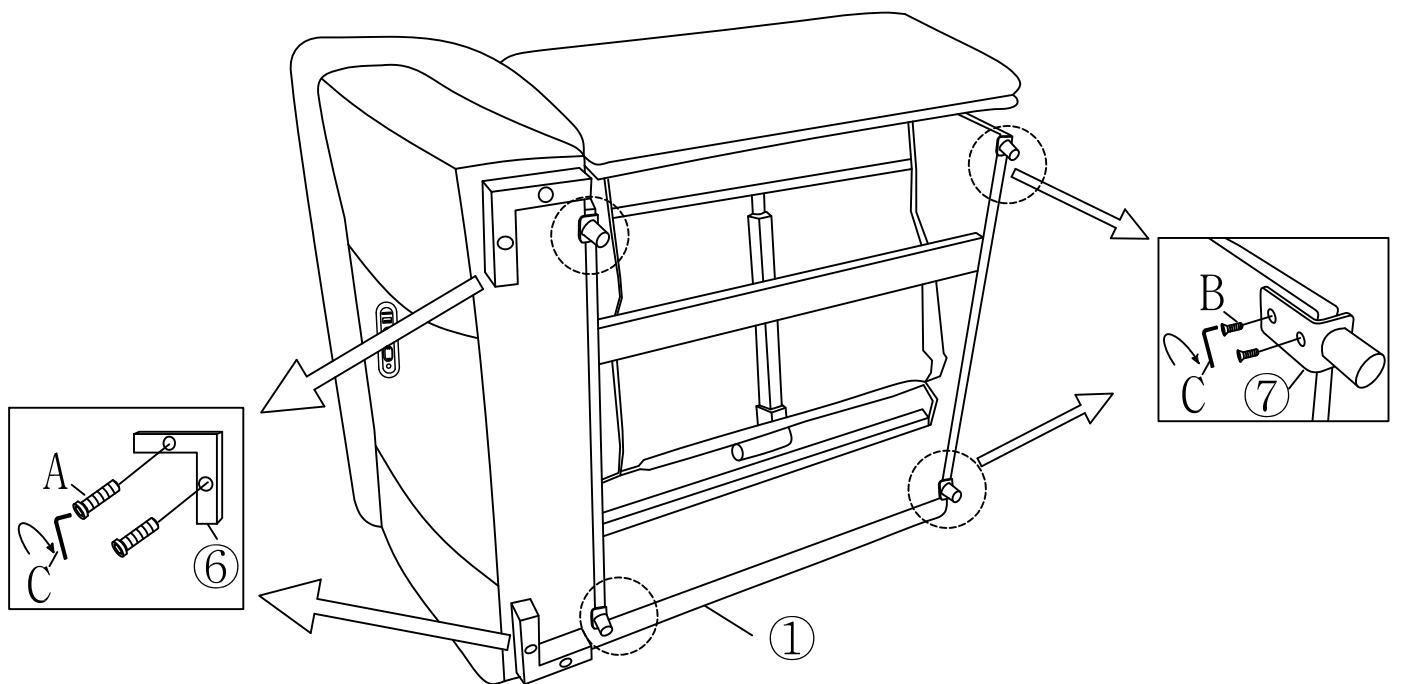


How to assemble:

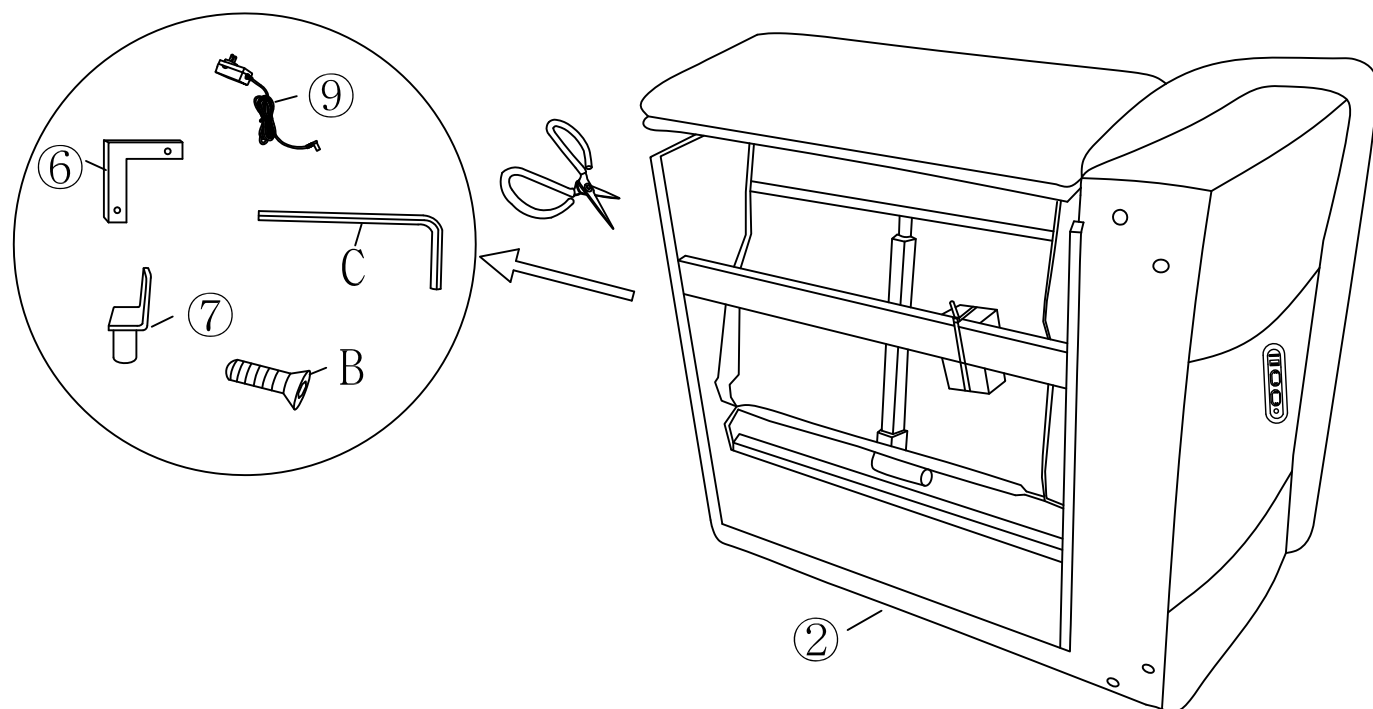
Step1



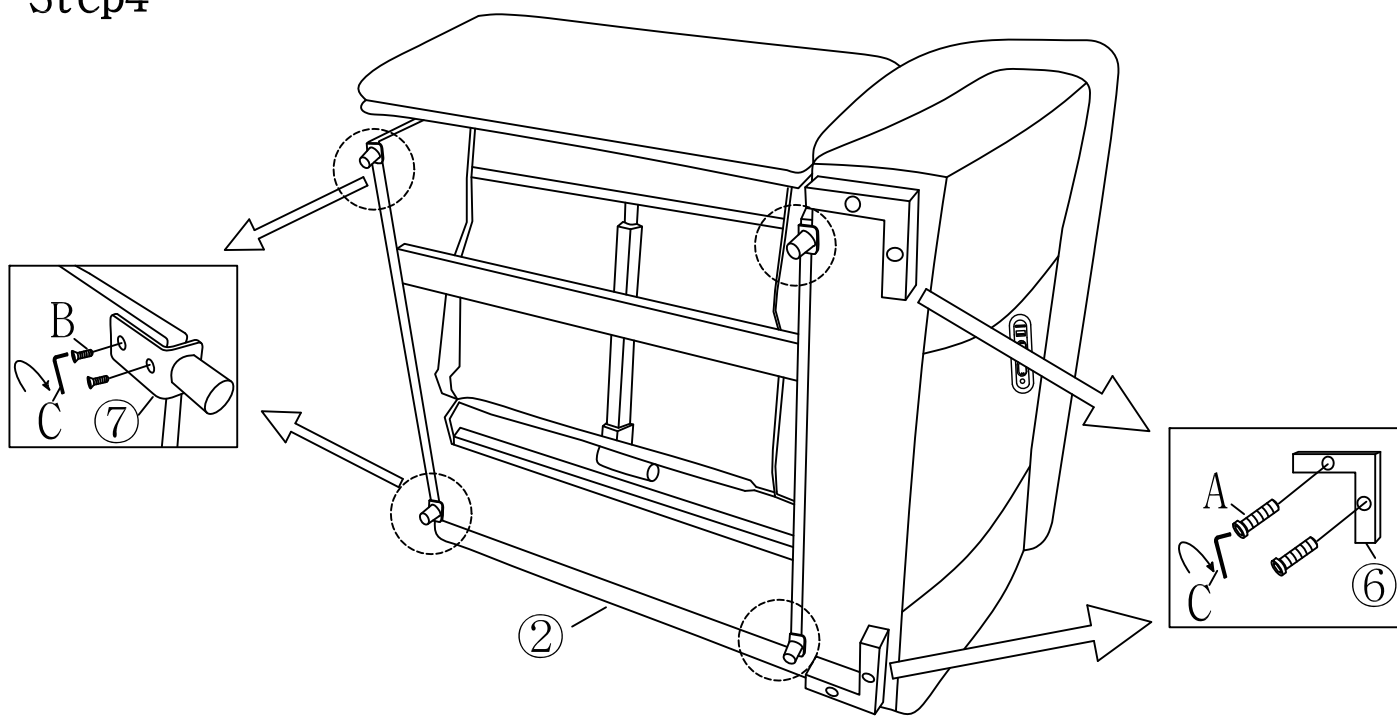
Step2



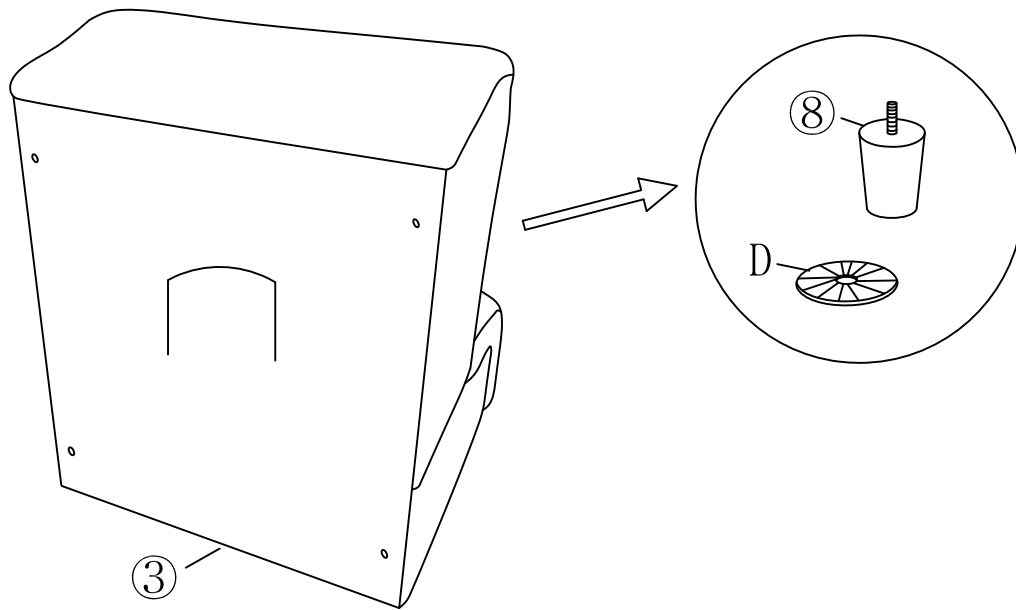
Step3



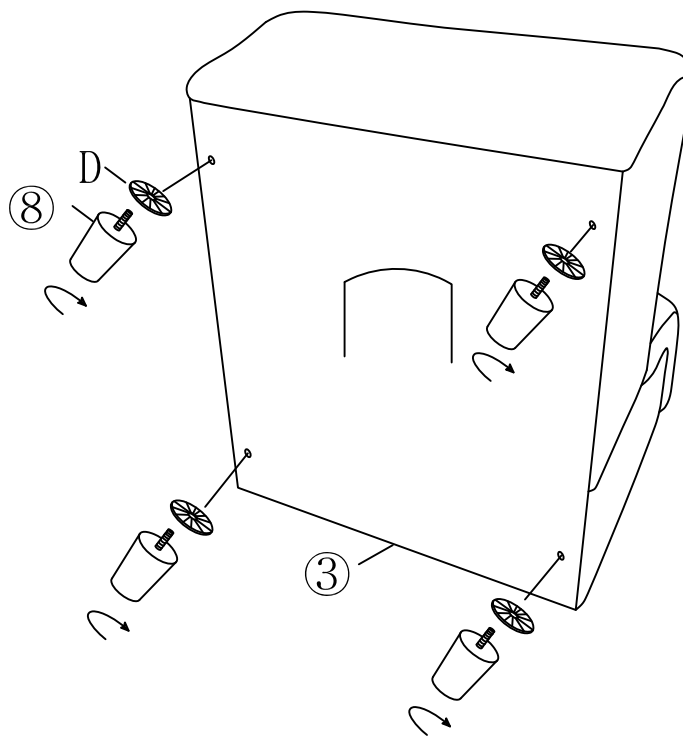
Step4



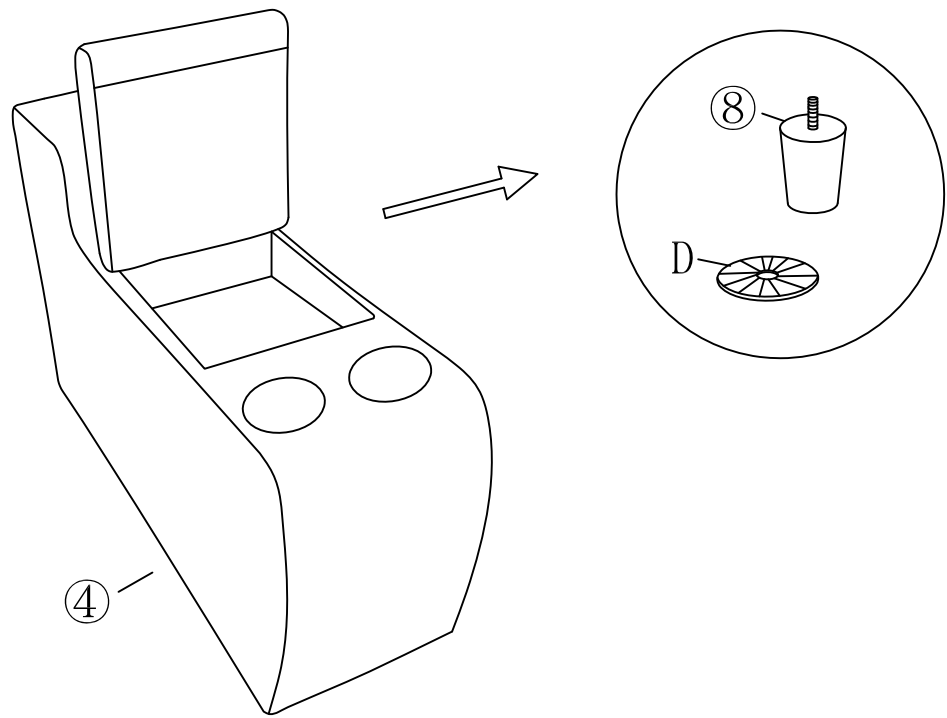
Step5



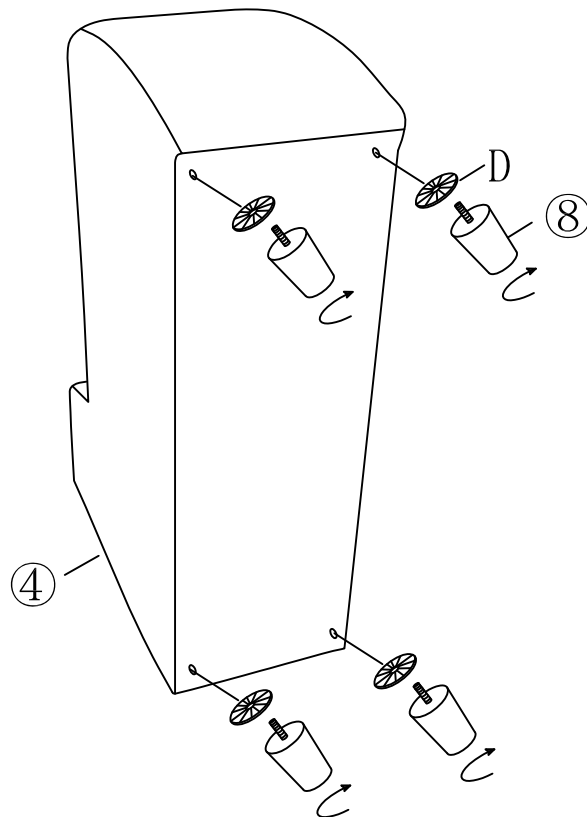
Step6



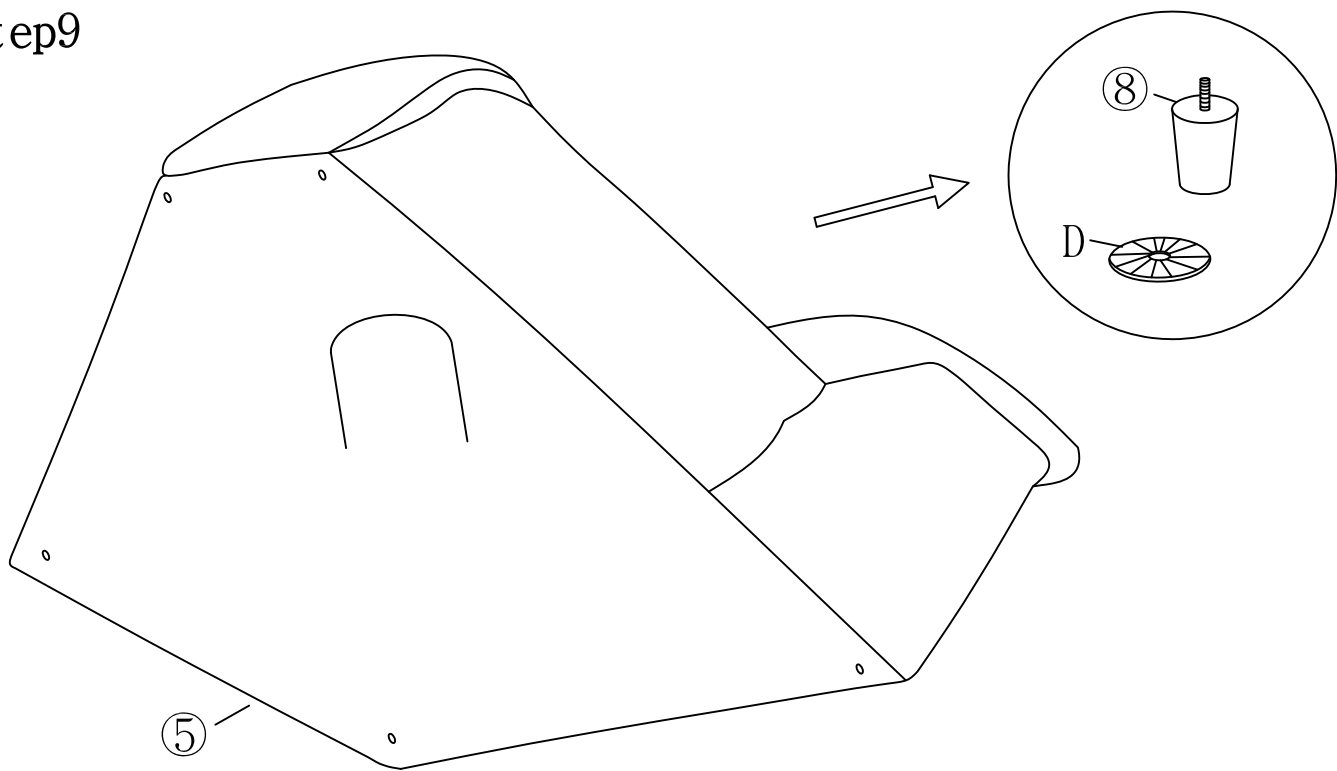
Step7



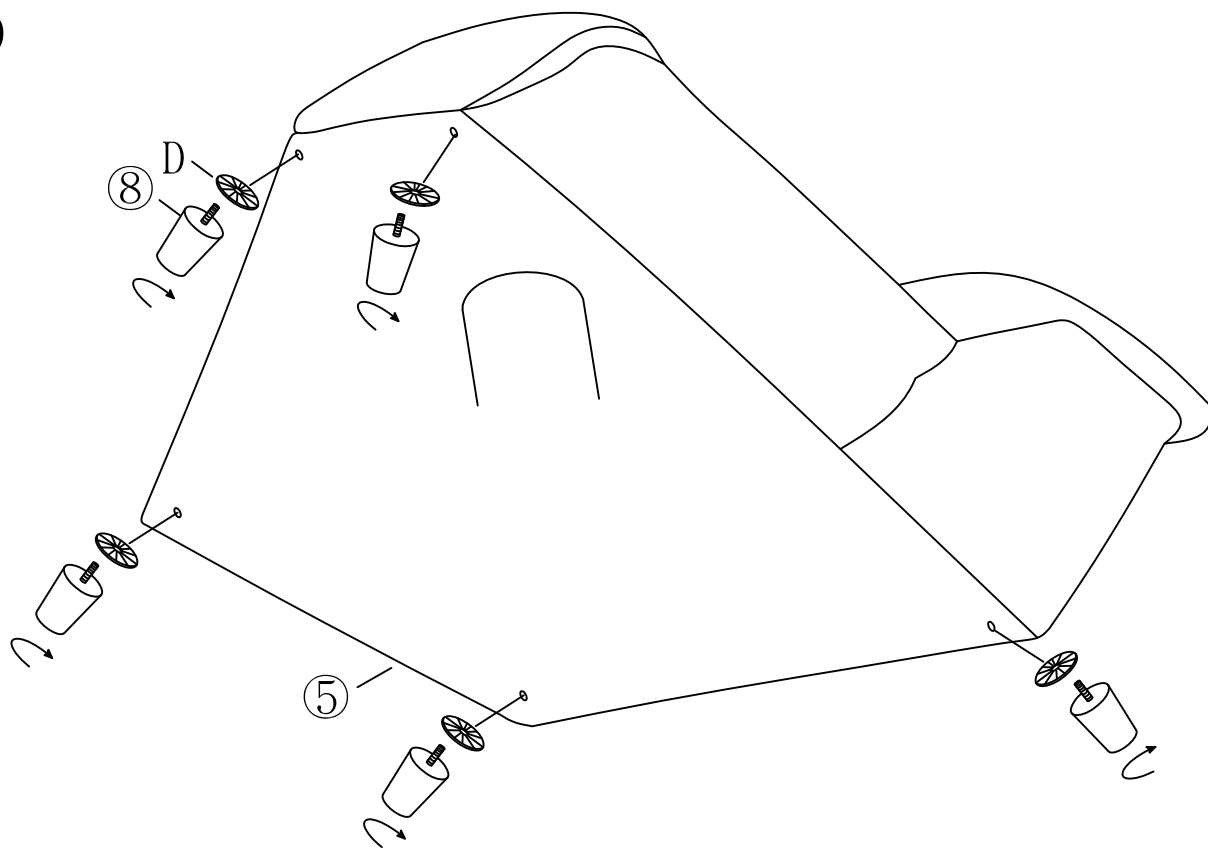
Step8



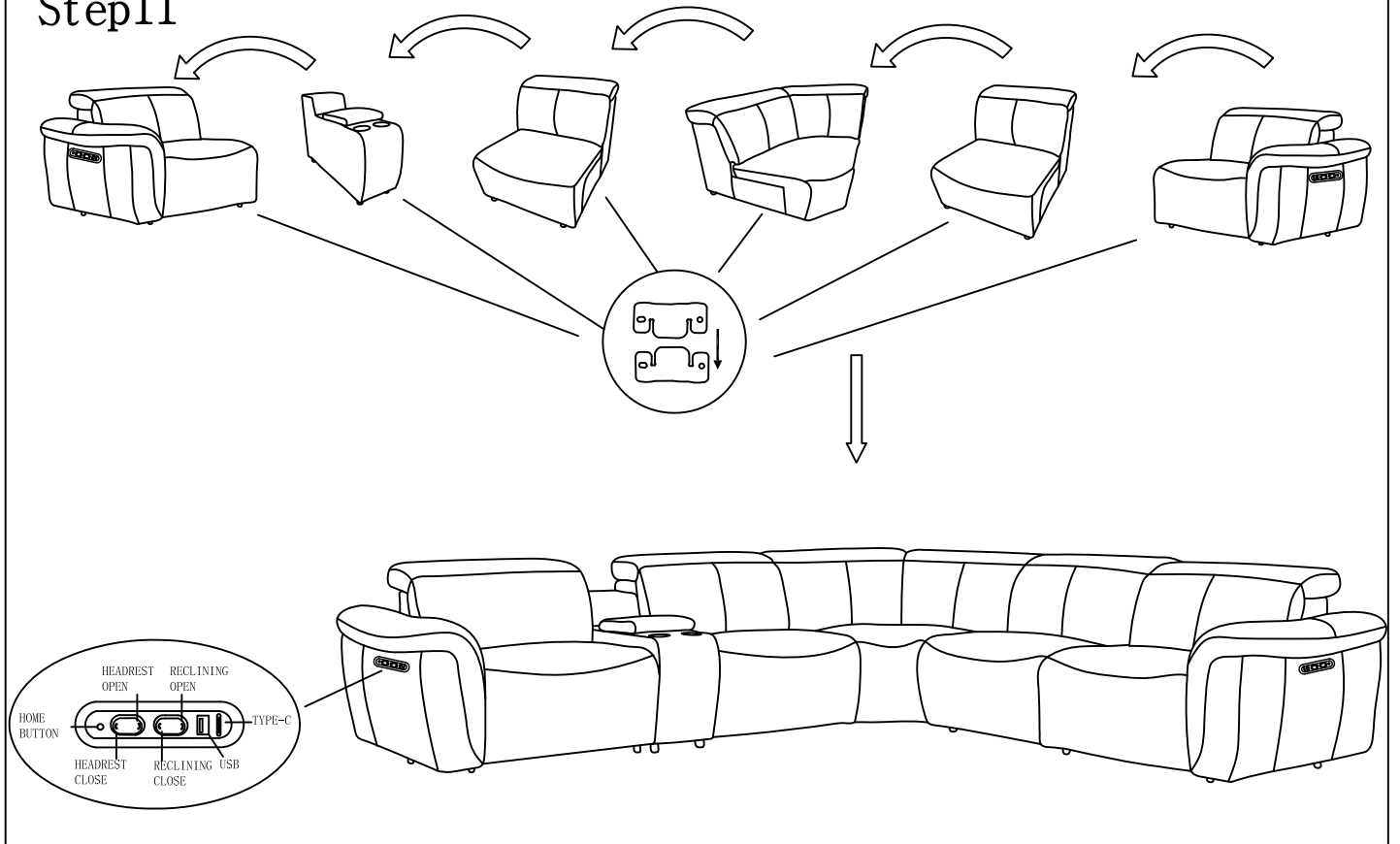
Step9



Step10



Step11



Step12

