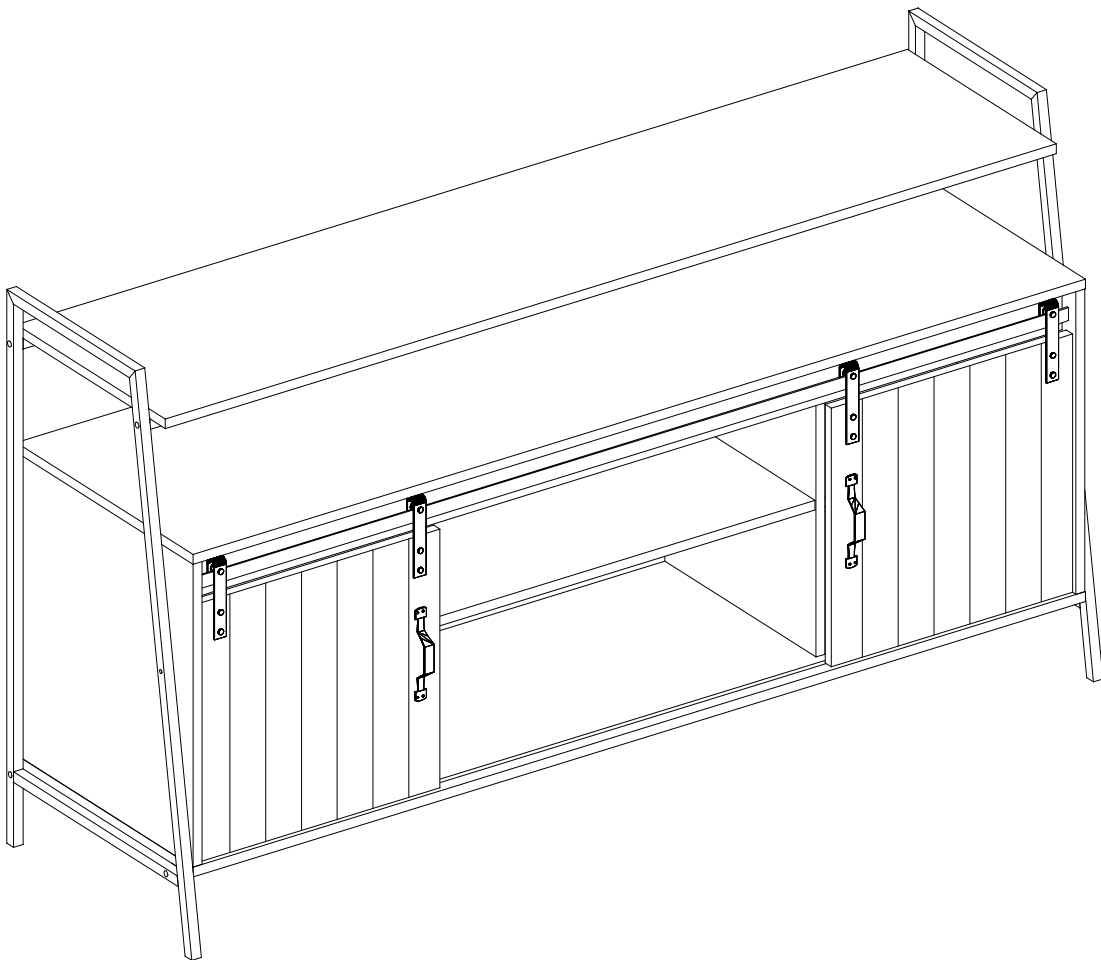


# ASSEMBLY INSTRUCTION FOR ACME FURNITURE

## MODEL# LV00152

Thank you for purchasing the quality product. Be sure to check all packing material carefully for small parts which may have come loose inside the carton during shipment. Separate, identify and count all parts and metal hardware. Compare with all parts list to be sure all parts are present. If any part(s) are missing or damaged, please contact your local furniture dealer. For efficient and speedy service, please indicate the model number and code letter of part(s) needed.

**\*\*\*Do not fully tighten screws until fully assembled\*\*\***

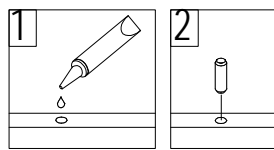


### Attention:

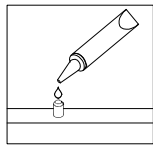
**\*\*\* Some number parts listed on the instruction sheet may not be in parts bag as they may already be assembled. Carefully check parts and packing materials prior to ordering replacements.**

# General Assembly Guidelines

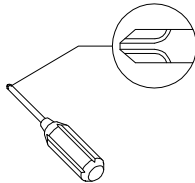
- I. Ensure that all parts and hardware are available before beginning assembly.
- II. Follow each step carefully to ensure the proper assembly of this product.
- III. Two people are recommended for ease in the assembly of this product.
- IV. The three main types of hardware used to assemble this product are : wood dowels , screws and bolts.
- V. The provided glue is to secure wood dowels in place . When first inserting dowels , locate the appropriate hole for the dowel , place a small amount of glue in the hole and insert the dowel . Wipe away excess glue immediately.



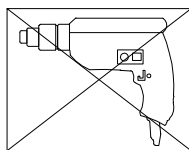
In future assembly steps when dowels are necessary to attach assembly parts together , place a small amount of glue on the end of the dowel before attaching parts together . Wipe away excess glue immediately.



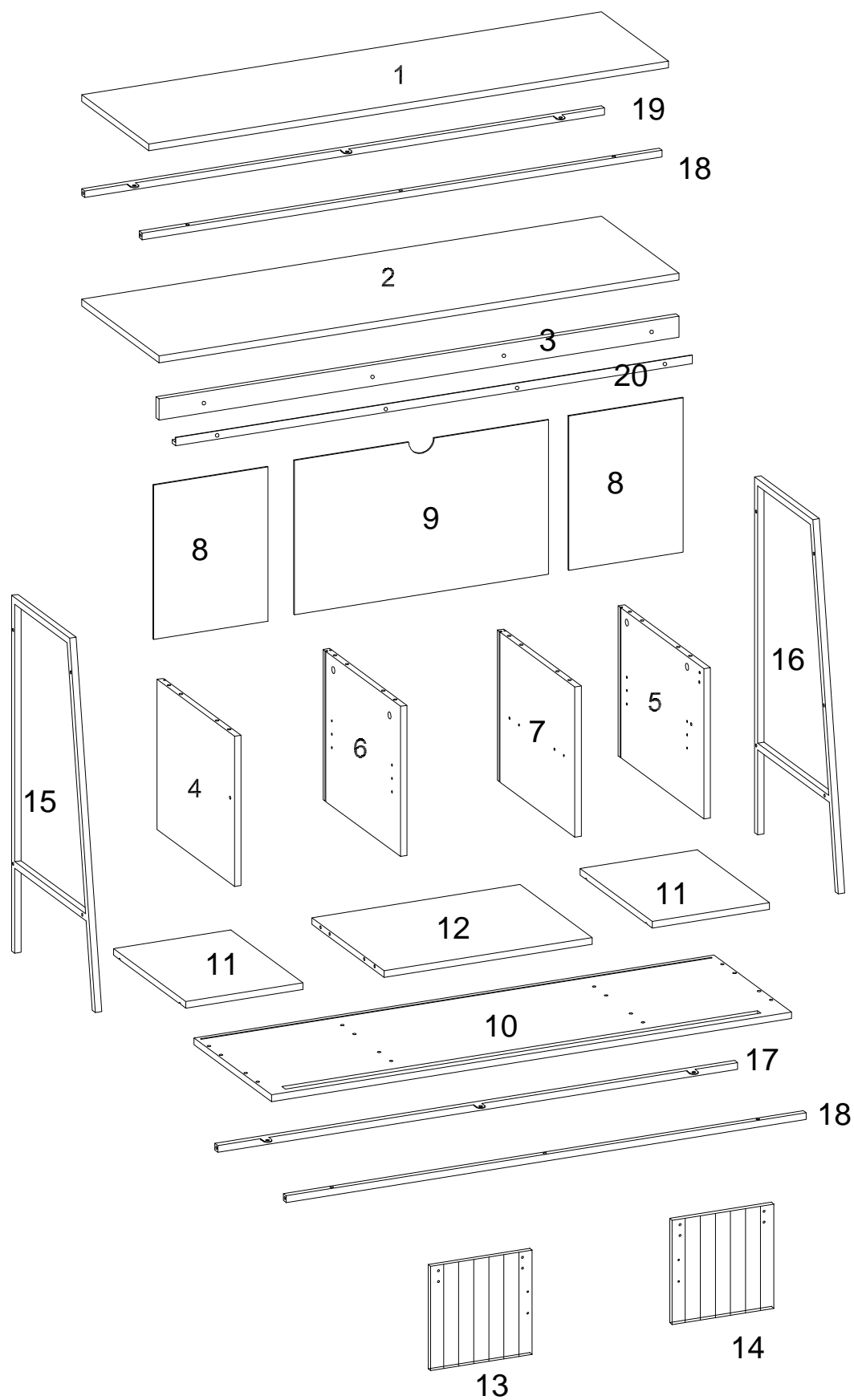
- VI. A Phillips head screwdriver is required for the assembly of this product .












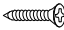
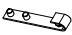



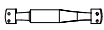

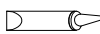




- VII. Power tools should not be used to assemble this product .

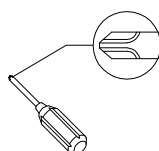


# Parts List



# Hardware List


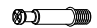



A		Ø8x30mm	Wooden dowel	22 pcs
B		Ø6x35mm	Cam bolt	18 pcs
C		Ø15x11mm	Cam lock	18 pcs
D		Ø30mm	Sticker	18 pcs
E		Ø6x50mm	Screw	8 pcs
F		Ø1/4x12mm	Bolt	16 pcs
G		Ø1/4x25mm	Bolt	20 pcs
H			Plastic wedge	12 pcs
I		Ø4x18mm	Screw	4 pcs
J		Ø3x17mm	Screw	12 pcs
K			Hanging wheel	4 pcs
L			Positioning iron	4 pcs
M		Ø3.5x14mm	Screw	8 pcs
N		4mm	Hex Key	1 pcs
O			Handle	2 pcs
P		Ø8x5x16mm	Shelf support pin	8 pcs
Q			Glue tube	1 pc
R			L shape Bracket	2 pcs
S		Ø4x30mm	Screw	2 pcs
T			Anchor	2 pcs
U			Washer	2 pcs

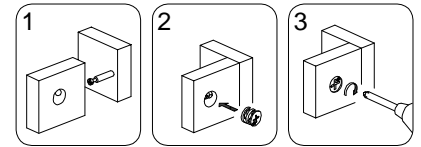
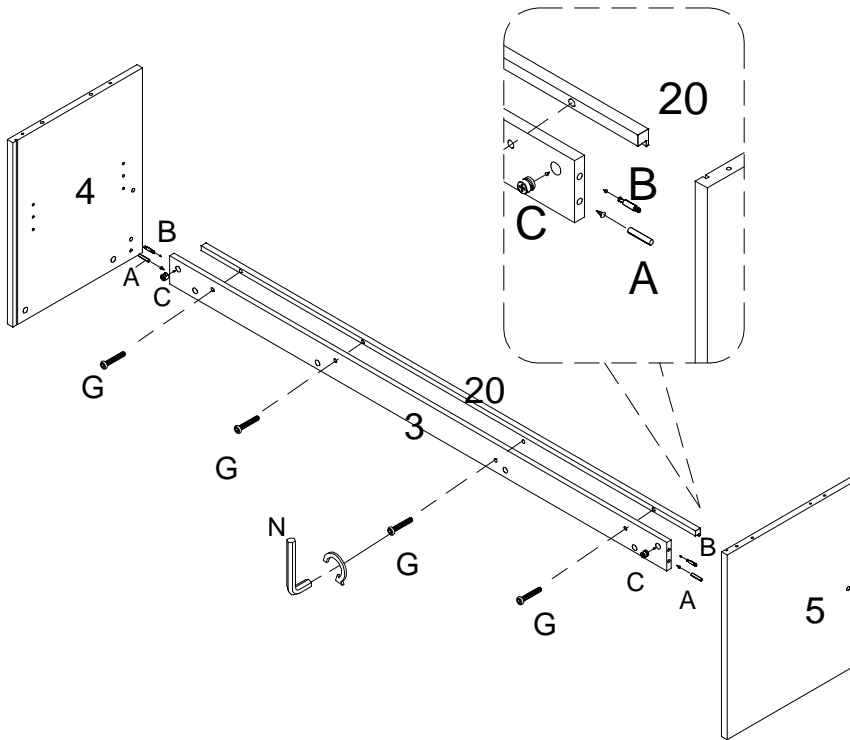


Philips head screwdriver required for assembly  
(not included)


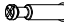

*The hardware quantities listed above are required for proper assembly.  
Some extra hardware may also have been included.*

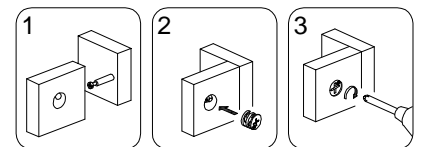
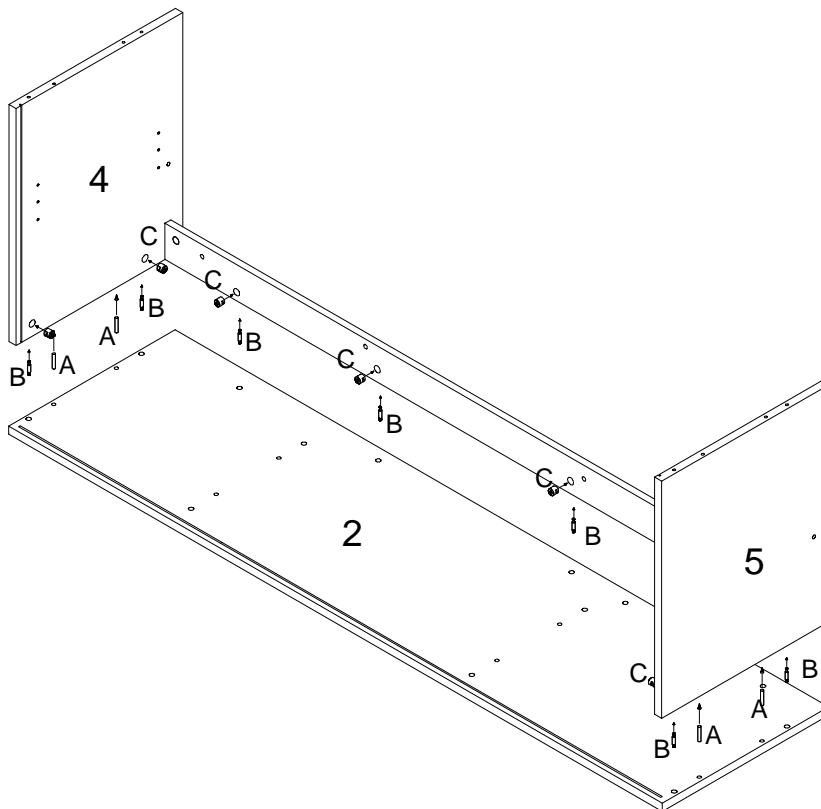
# Step 1

A x 2  Ø8x30mm	B x 2  Ø6x35mm	C x 2  Ø15x11mm	G x 4  Ø1/4"x25mm	N x 1  M4mm
---	--	--	--	--


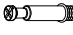



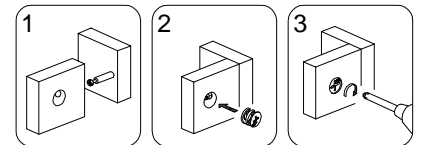
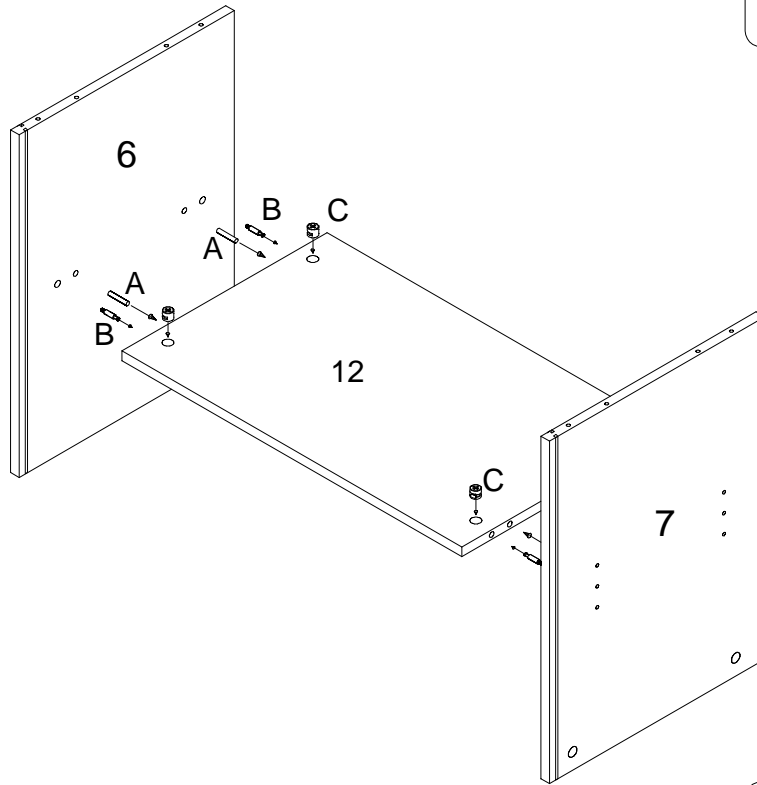
# Step 2

A x 4  Ø8x30mm	B x 8  Ø6x35mm	C x 8  Ø15x11mm
---	---	--


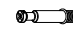



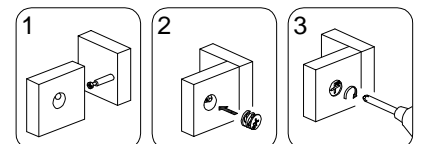
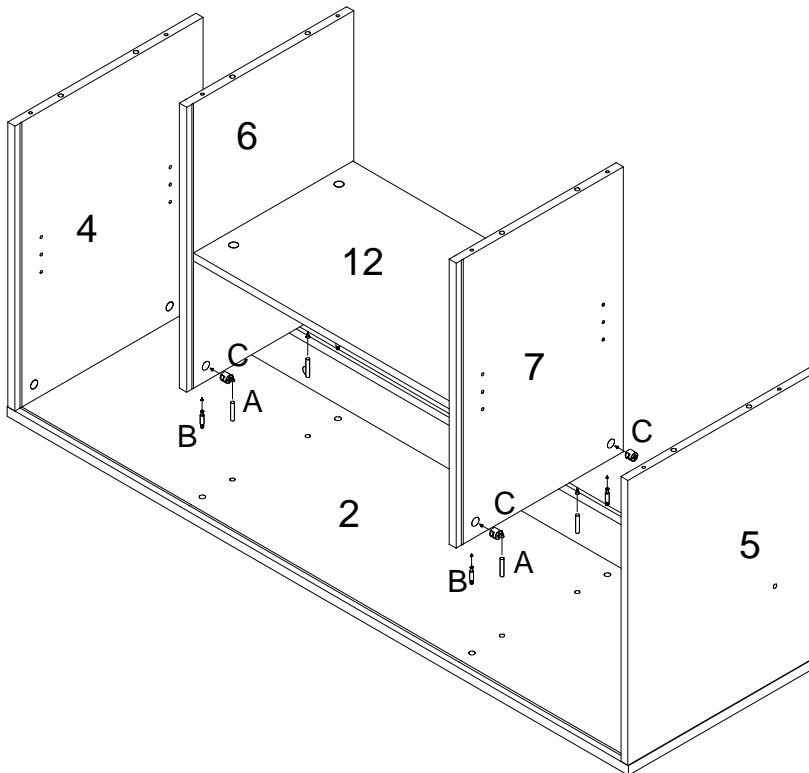
# Step 3

A x 4	B x 4	C x 4
		
Ø8x30mm	Ø6x35mm	Ø15x11mm

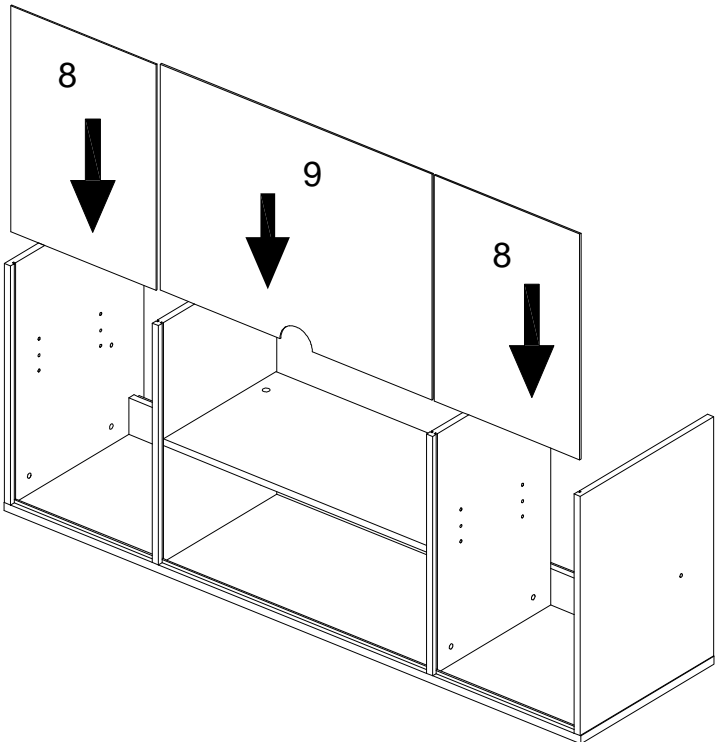


# Step 4

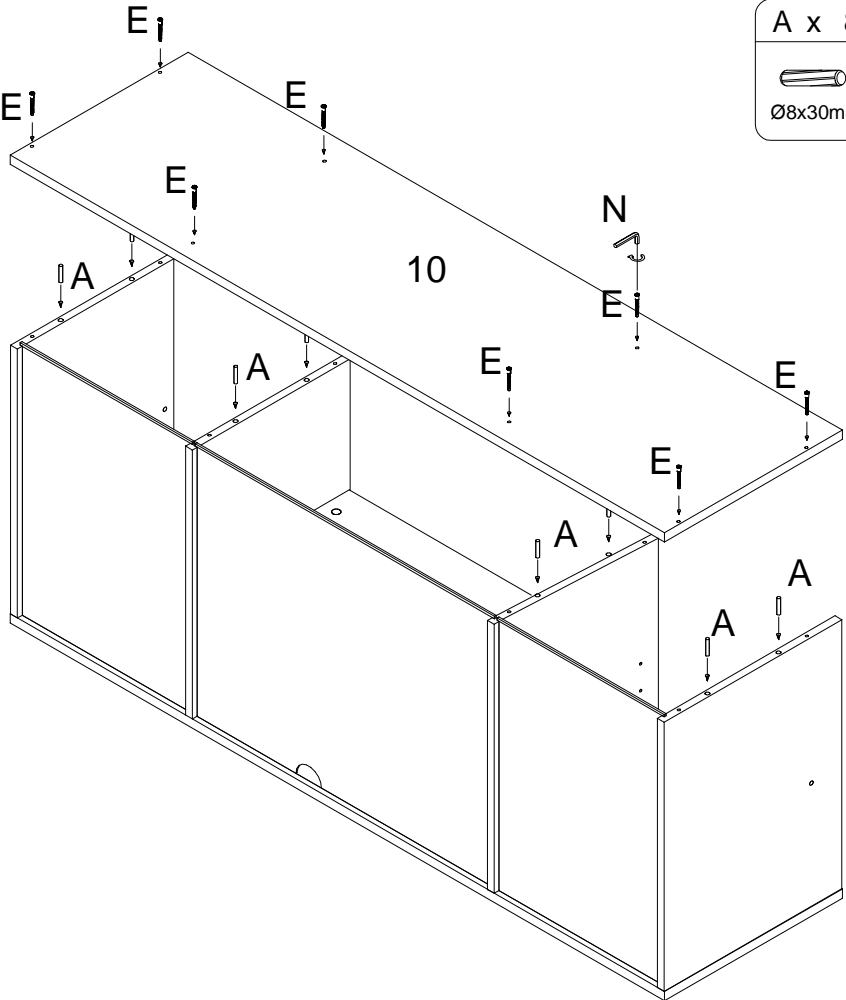
A x 4	B x 4	C x 4
		
Ø8x30mm	Ø6x35mm	Ø15x11mm




# Step 5


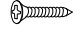


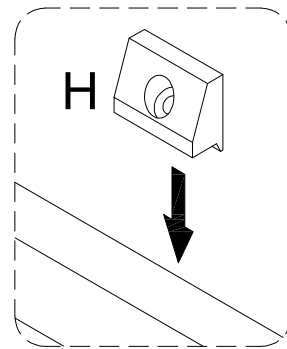
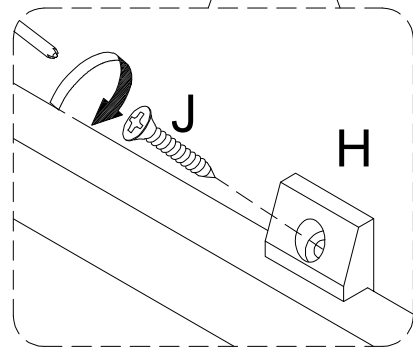
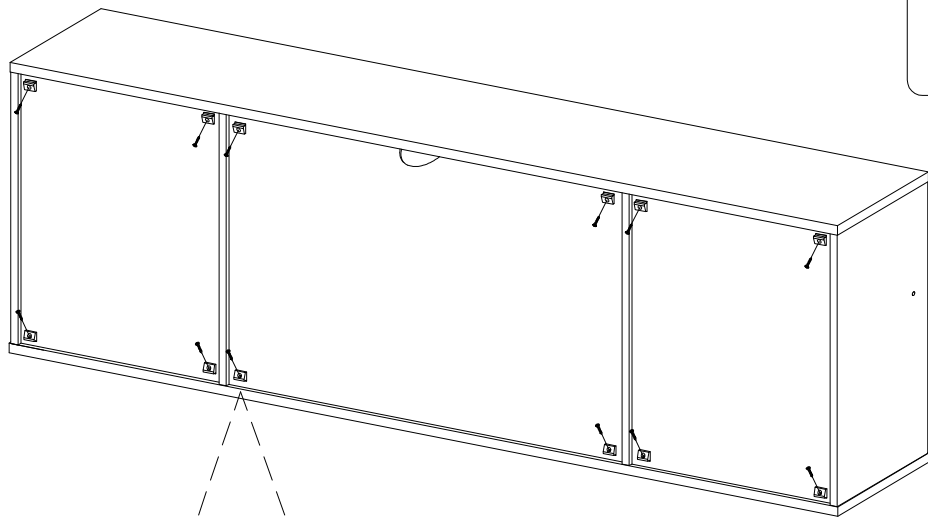
# Step 6






A x 8	E x 8	N x 1
		
Ø8x30mm	Ø6x50mm	M4mm

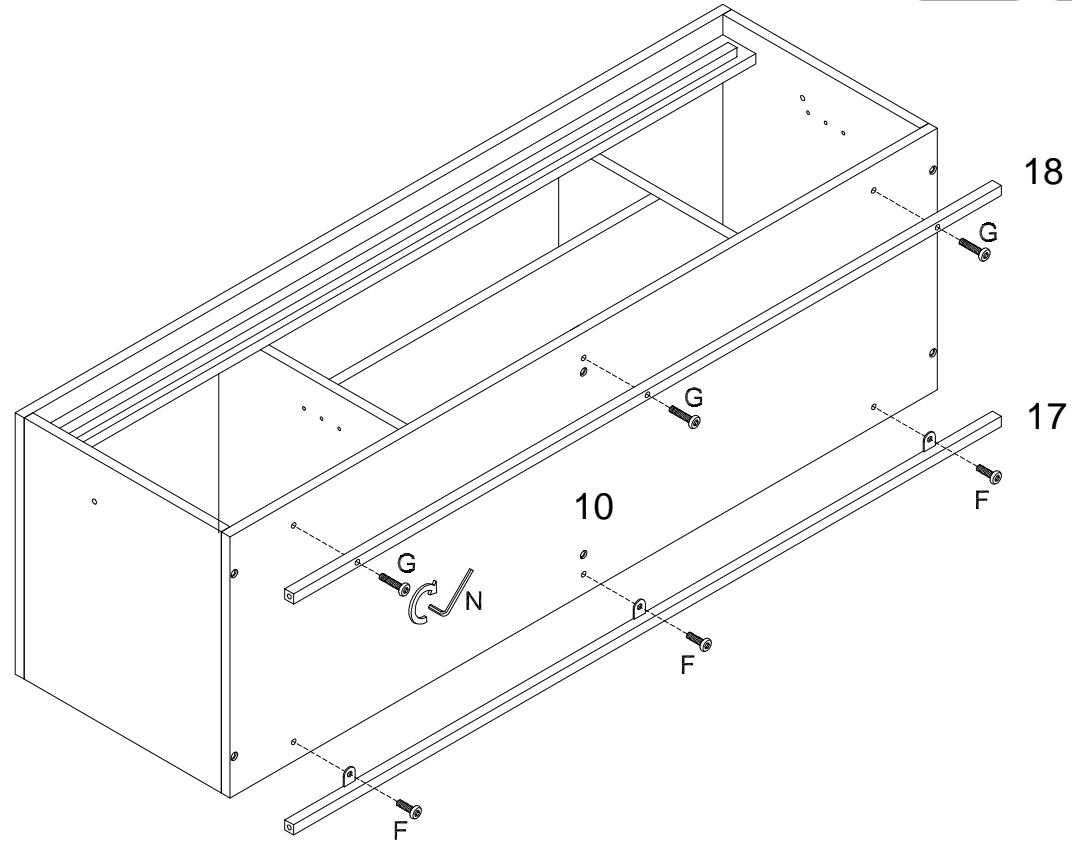
# Step 7

H x 12	J x 12
	
	Ø3x17mm







# Step 8

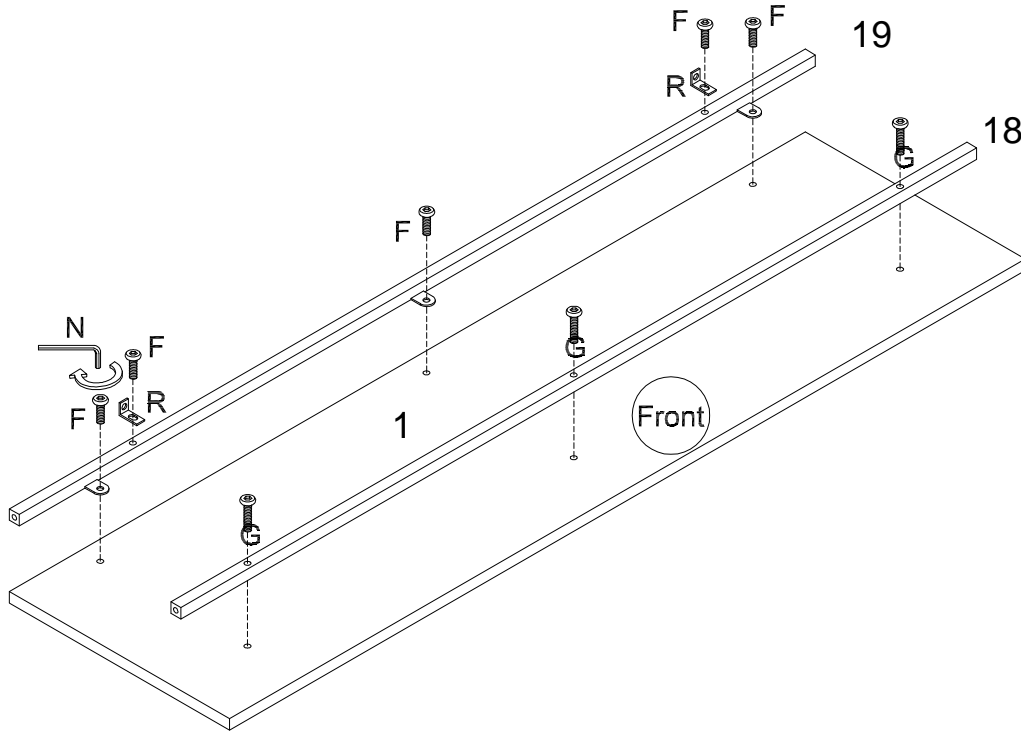
F x 3	G x 3	N x 1
		
Ø1/4"x12mm	Ø1/4"x25mm	4mm







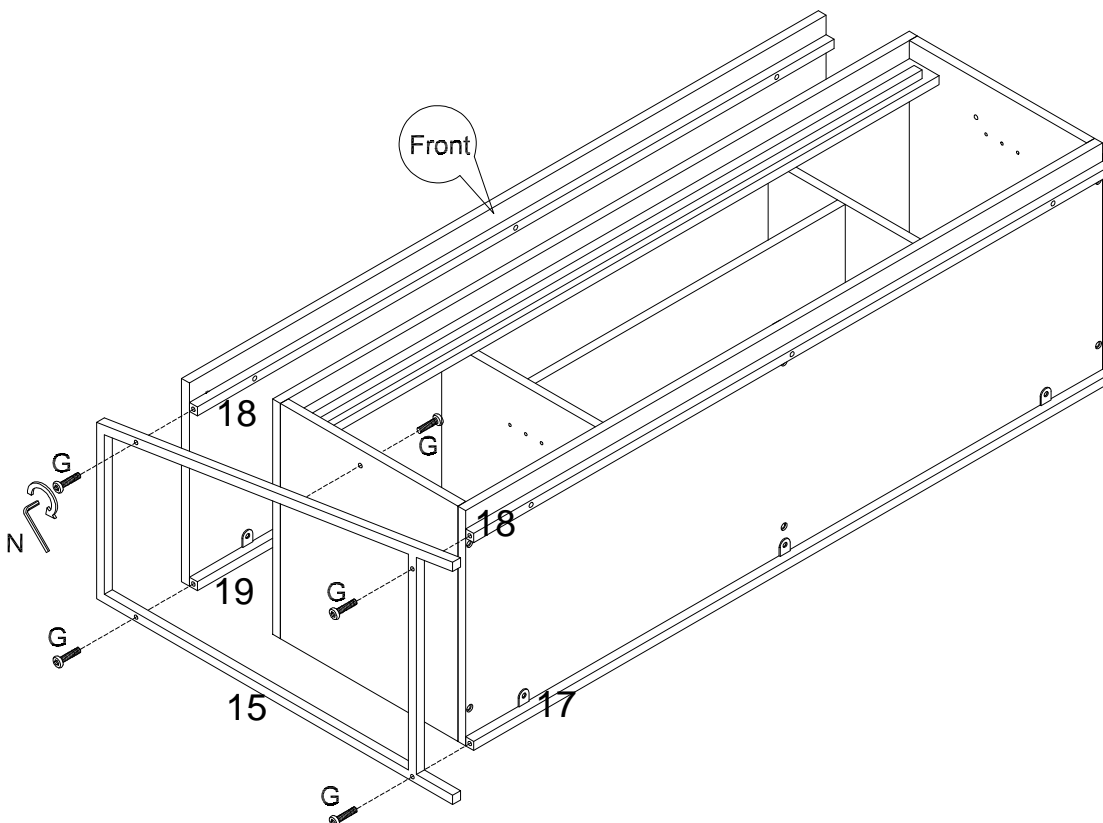
# Step 9

<b>F x 5</b>  Ø1/4"x12mm	<b>G x 3</b>  Ø1/4"x25mm	<b>R x 2</b> 	<b>N x 1</b>  4mm
---	---	---	--





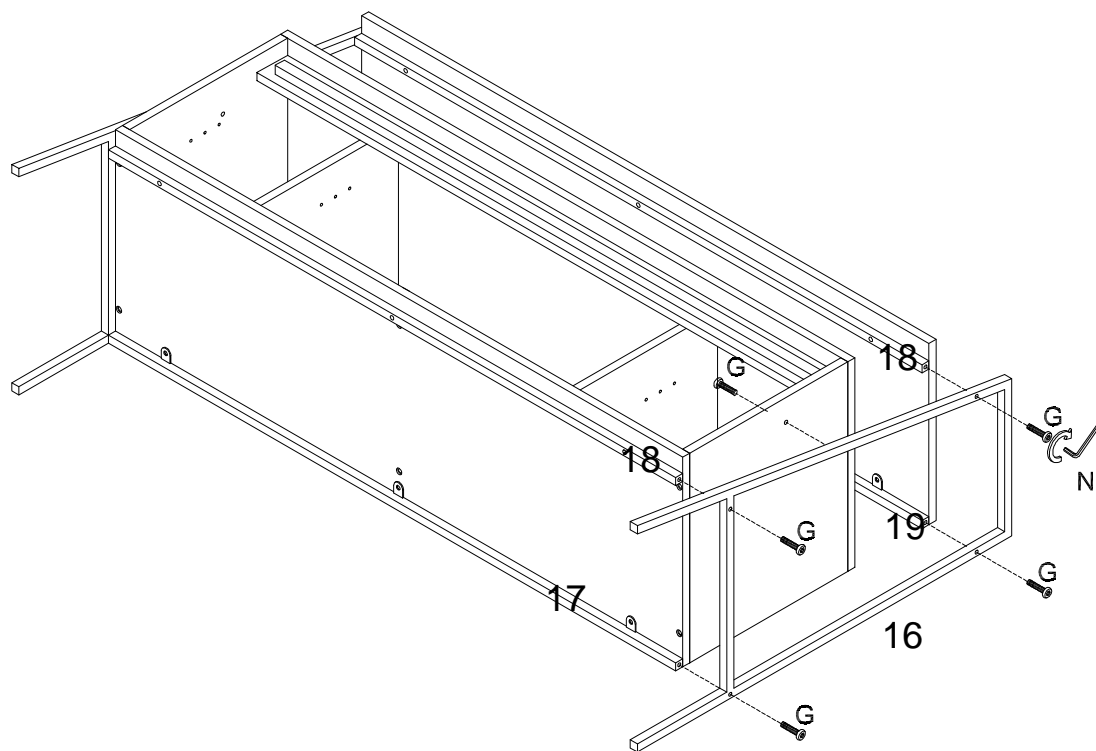
# Step 10

<b>G x 5</b>  Ø1/4"x25mm	<b>N x 1</b>  4mm
---	--




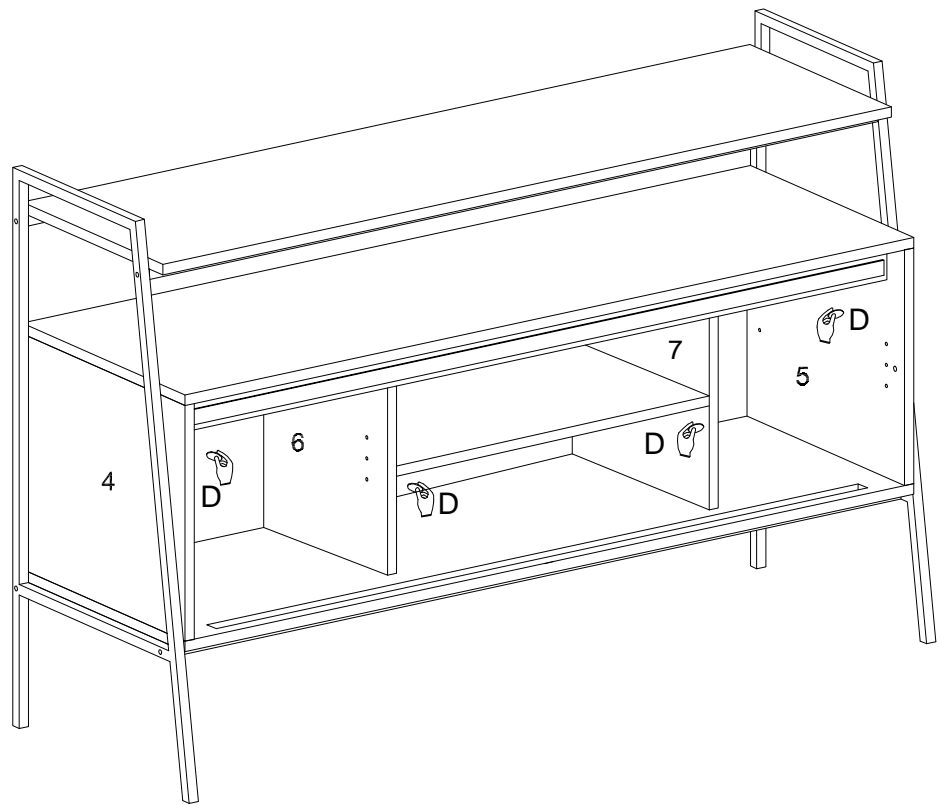
# Step 11

G x 5	N x 1
	
Ø1/4"x25mm	4mm



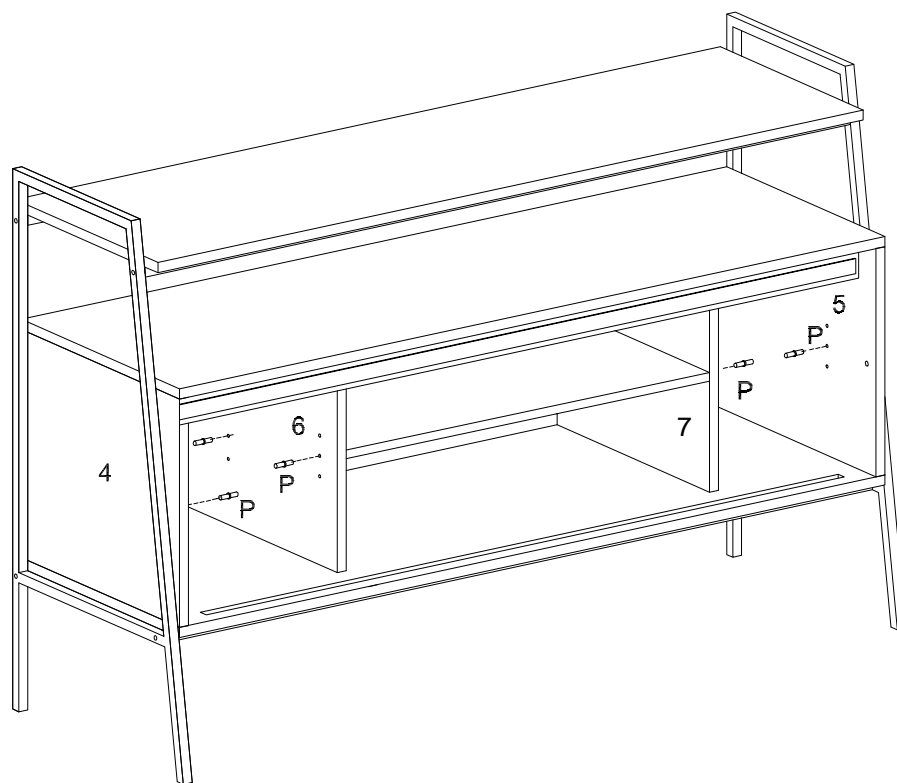
# Step 12

D x 18


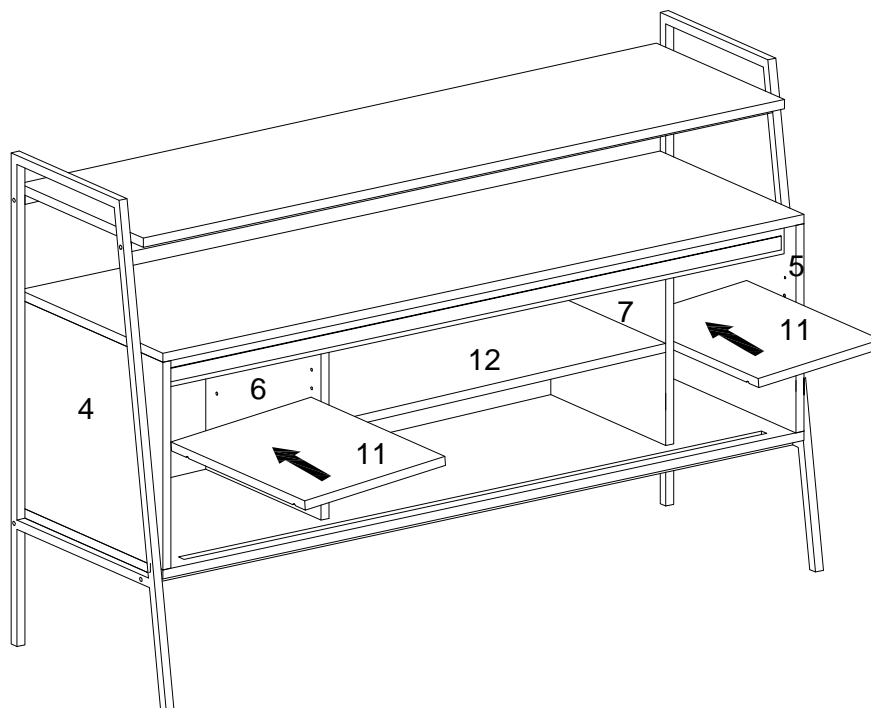


# Step 13



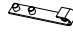



P x 8

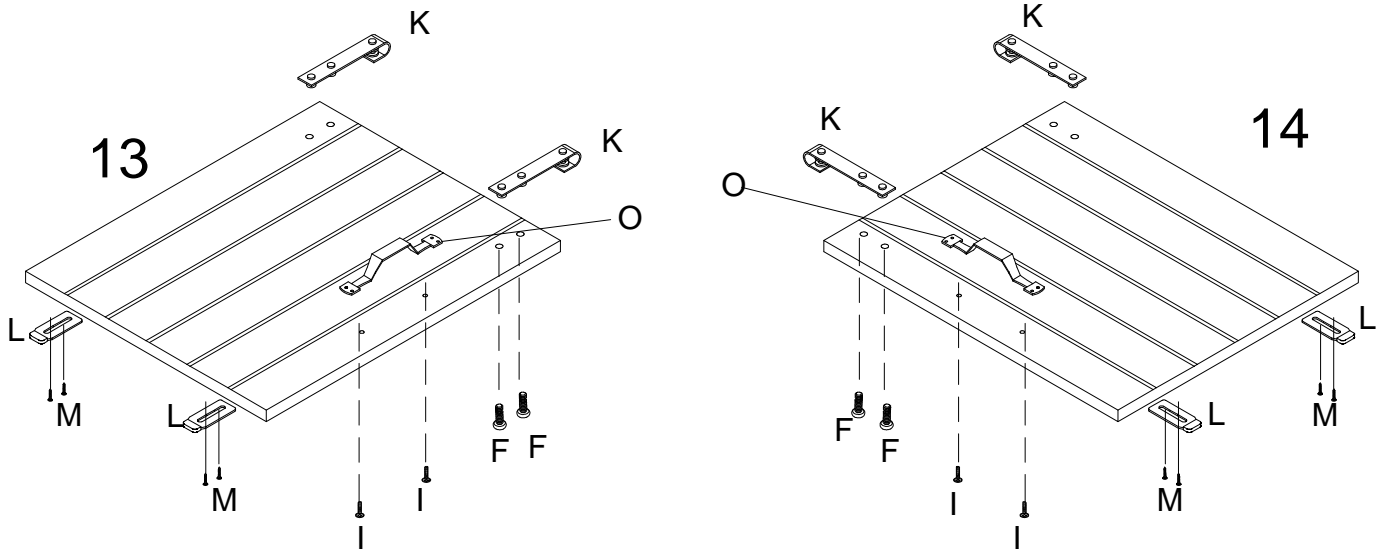


# Step 14

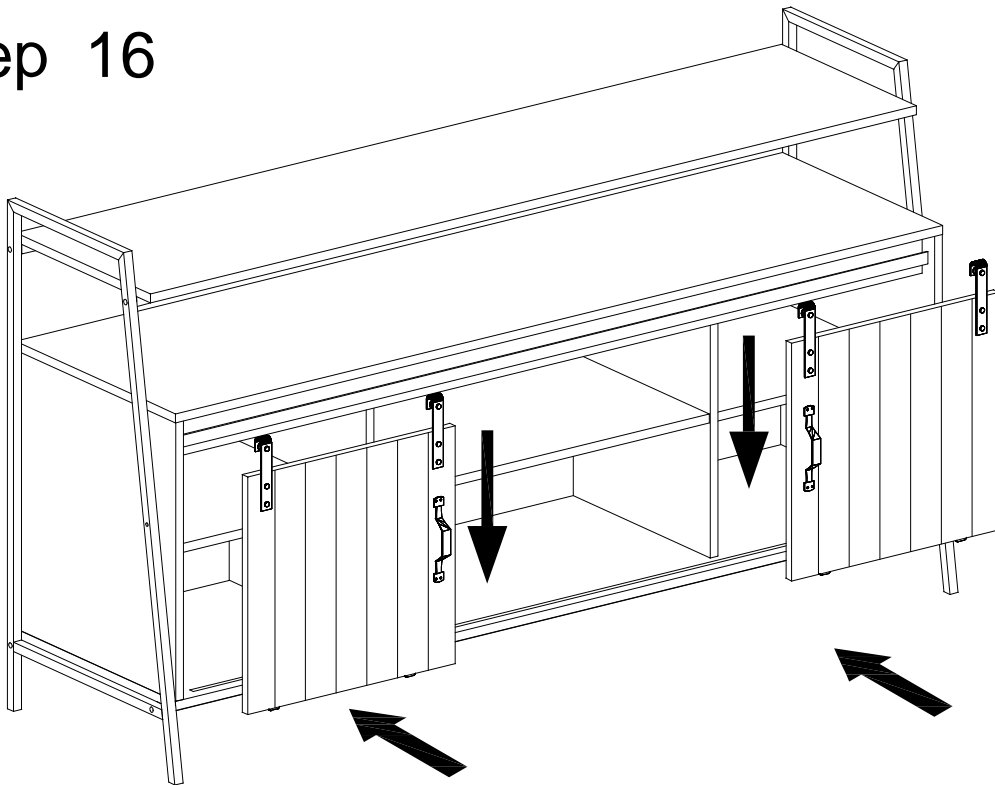


# Step 15





<b>F x 8</b>  Ø1/4"x12mm	<b>I x 4</b>  Ø4x18mm	<b>K x 4</b> 	<b>L x 4</b> 	<b>M x 8</b>  Ø3.5x14mm	<b>O x 2</b> 
---	--	--	---	--	---



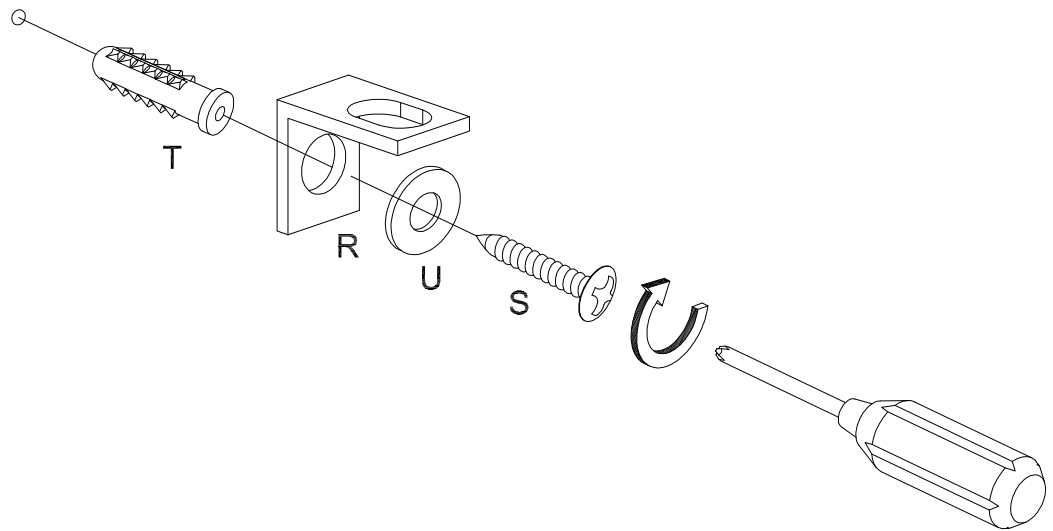
# Step 16





# Step 17

R x 2	S x 2	T x 2	U x 2
	 Ø4x30mm		

Wall



1	2
	

# Step 18

