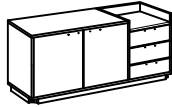



ASSEMBLY INSTRUCTIONS FOR ACME FURNITURE

MODEL#DN02419

Thank you for purchasing the quality product. Be sure to check all packing material carefully for small parts which may have come loose inside the carton during shipment. Separate, identify and count all parts and metal hardware. Compare with all parts list to be sure all parts are present. If any part(s) are missing or damaged, please contact your local furniture dealer. For efficient and speedy service, please indicate the model number and code letter of part(s) needed.

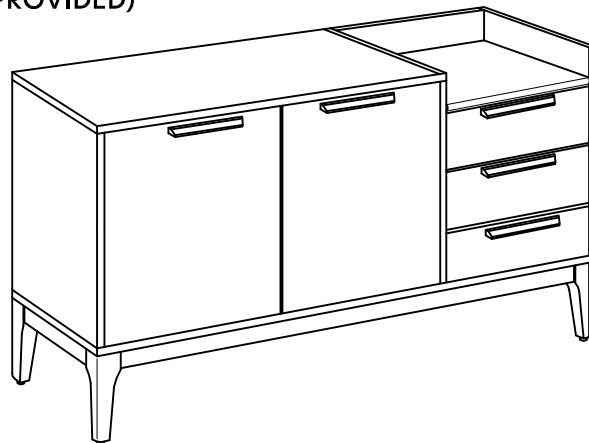
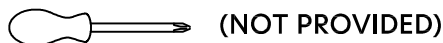
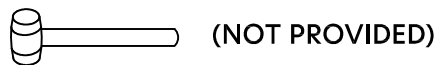
*** Do not fully tighten screws until fully assembled ***

COMPONENT PARTS		
DESCRIPTION	PART NAME	Q'TY(PCS)
①	SIDEBOARD UNIT 	1
②	LEG 	4

HARDWARE REQUIRED

- A  JCBC SCREW M6 x 60mm 4 PCS
- B  SPRING WASHER M6 x 13mm 4 PCS
- C  FLAT WASHER M6 x 19mm 4 PCS
- D  ALLEN KEY M4 (BALL SHAPE) 1 PC
- E  TRUSS HD SCREW M4 x 20mm 10 PCS
- F  WOODEN HANDLE 15 x 21 x 200 5 PCS
- G  PVC NAIL 5/8" (WITH PIN) 4 PCS
- H  ANTI TIP KITS 1 SET

TOOLS NEEDED

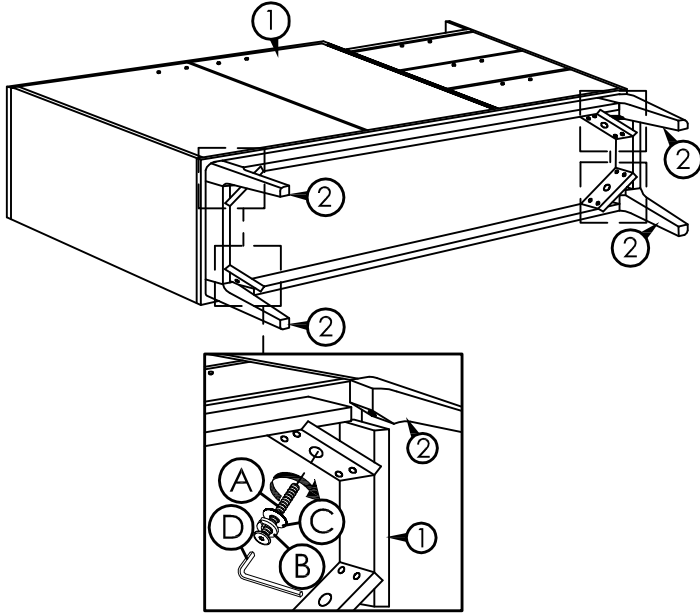


Attention

** Some number parts listed on the instruction sheet may not be in parts bag as they may already be assembled. Carefully check parts and packing materials prior to ordering replacements.

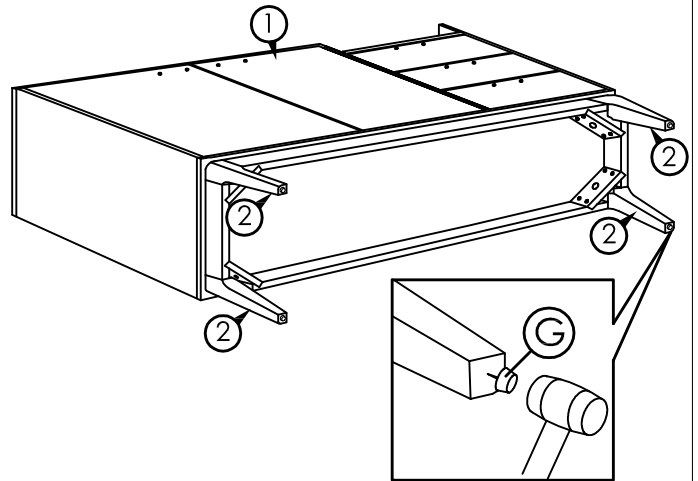
How to assemble:

STEP 1

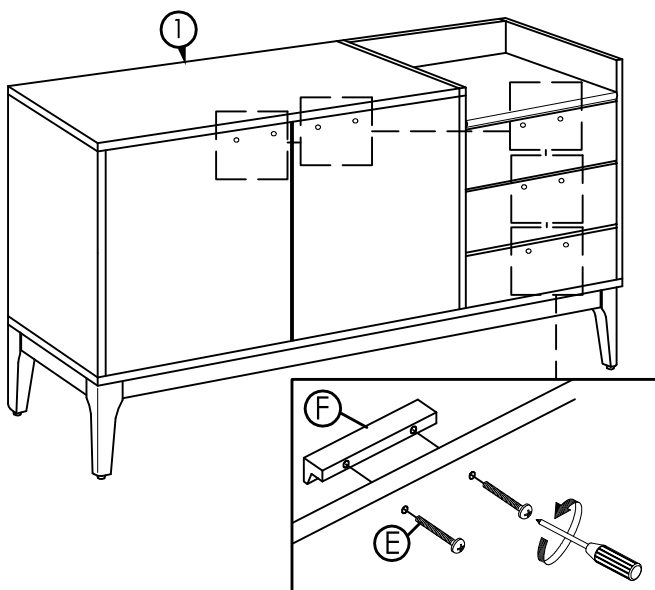


FULLY TIGHTEN THE BOLTS

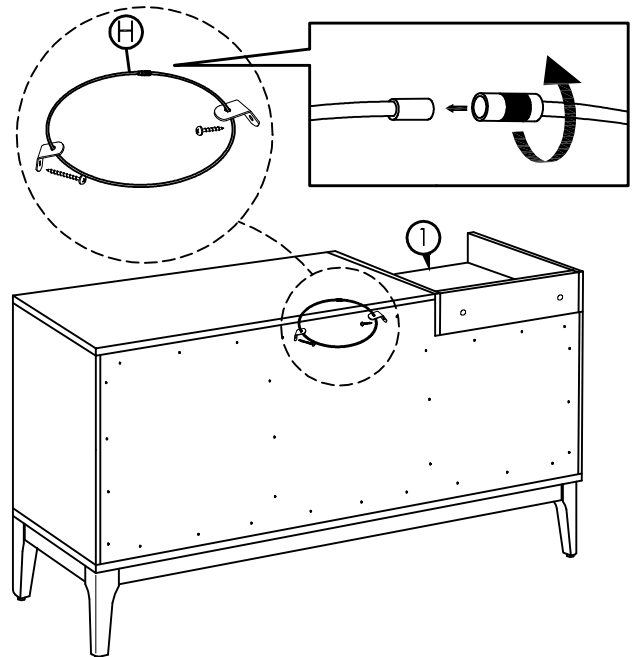
STEP 2



STEP 3



STEP 4



COMPLETED SIDEBOARD ASSEMBLY.