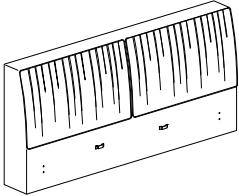
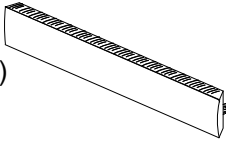
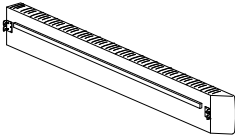


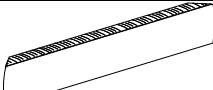
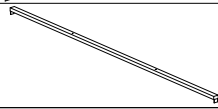

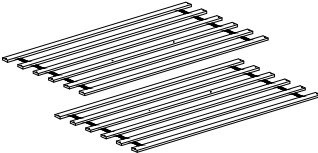
ASSEMBLY INSTRUCTION FOR ACME FURNITURE

MODEL # BD02424EK1 / BD02424EK2



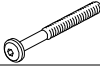






*** Do not fully tighten screws until fully assembled ***

Thank you for purchasing the quality product. Be sure to check all packing material carefully for small parts which may have come loose inside the carton during shipment. Separate, identify and count all parts and metal hardware. Compare with all parts list to be sure all parts are present. If any part(s) are missing or damaged, please contact your local furniture dealer. For efficient and speedy service, please indicate the model number and code letter of part(s) needed.

Parts Desc.		Queen	King
A	Headboard 	1pc	1pc
B	Side rail (left) 	1pc	1pc
C	Side rail (right) 	1pc	1pc

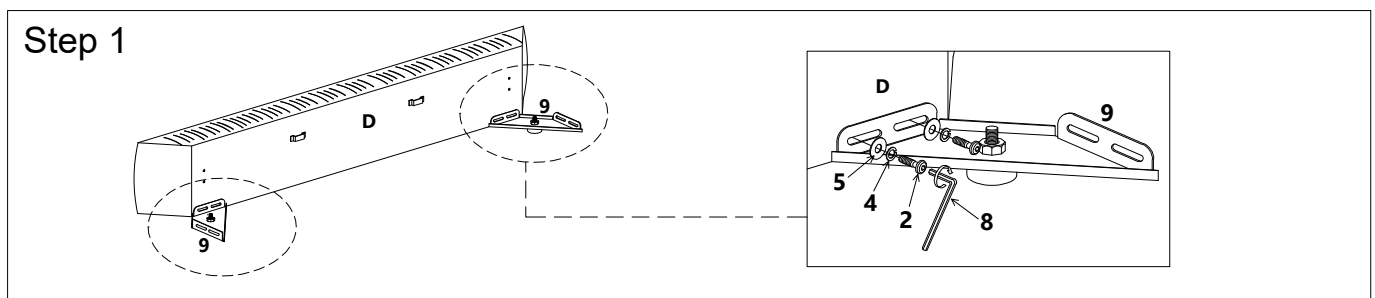
Parts Desc.		Queen	King
D	Foot board 	1pc	1pc
E	Center rail 	1pc	2pcs
F	Center support leg 	2pcs	4pcs
G	Slats 	12pcs	12pcs

HARDWARE REQUIRED

Hardware Desc.		Queen	King
1	Jcbc M8x30mm 	8pcs	8pcs
2	Jcbc M6x30mm 	8pcs	8pcs
3	Jcbc M6x60mm 	2pcs	4pcs
4	M6 Spring washer 	8pcs	8pcs
5	M6 Flat washer 	8pcs	8pcs
6	Csk M4x32mm 	24pcs	24pcs
7	Allen key M5 	1pc	1pc
8	Allen key M4 	1pc	1pc
9	Metal plate with round leg 	2pcs	2pcs

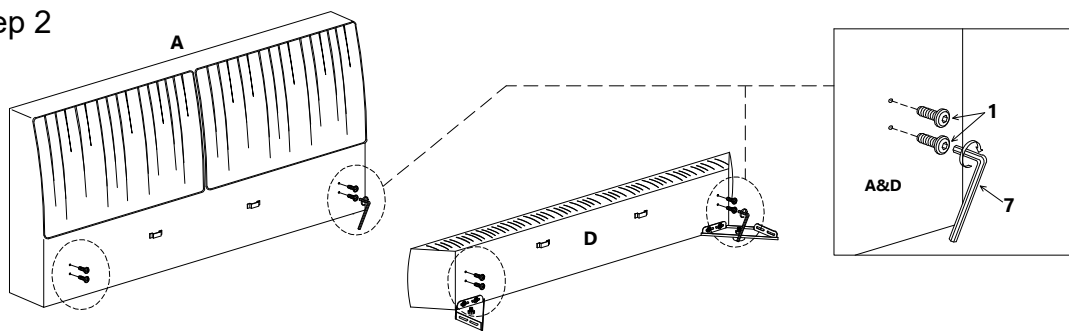
Attention

***Some number parts listed on the Instruction sheet may not be in parts bag as they may already be assembled. Carefully check parts and packing materials prior to ordering replacements.

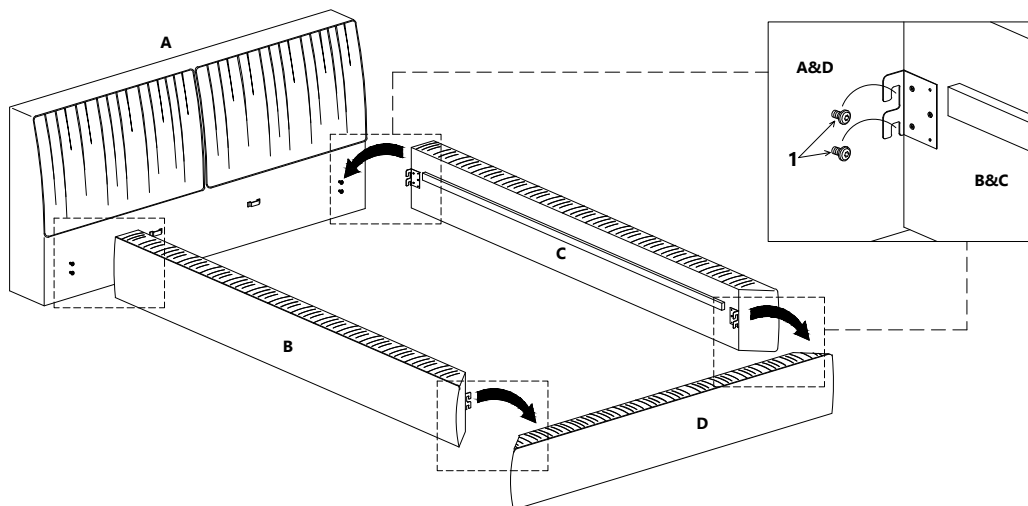


How to assemble

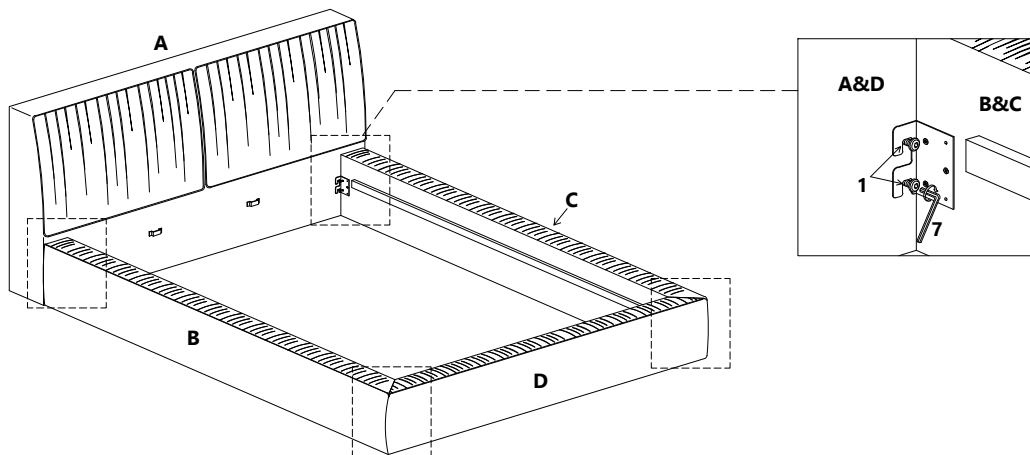
Step 2



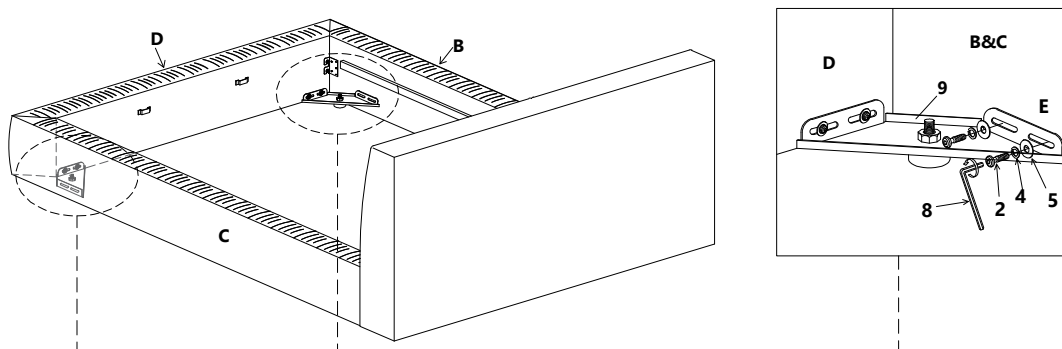
Step 3



Step 4

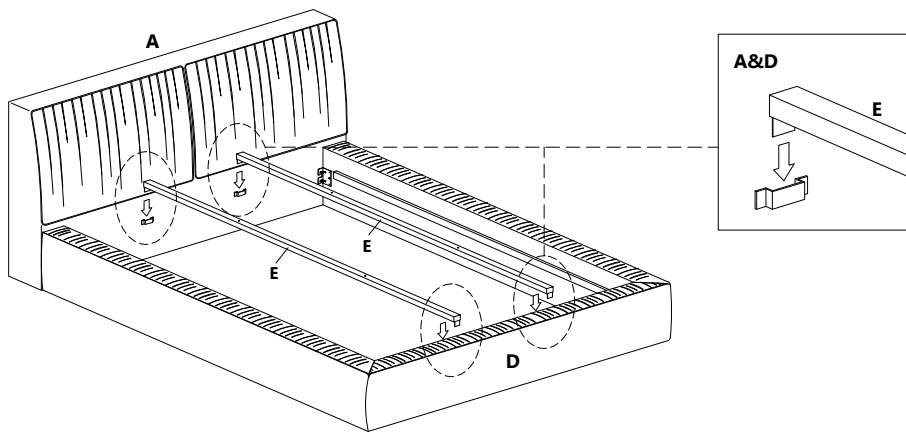


Step 5

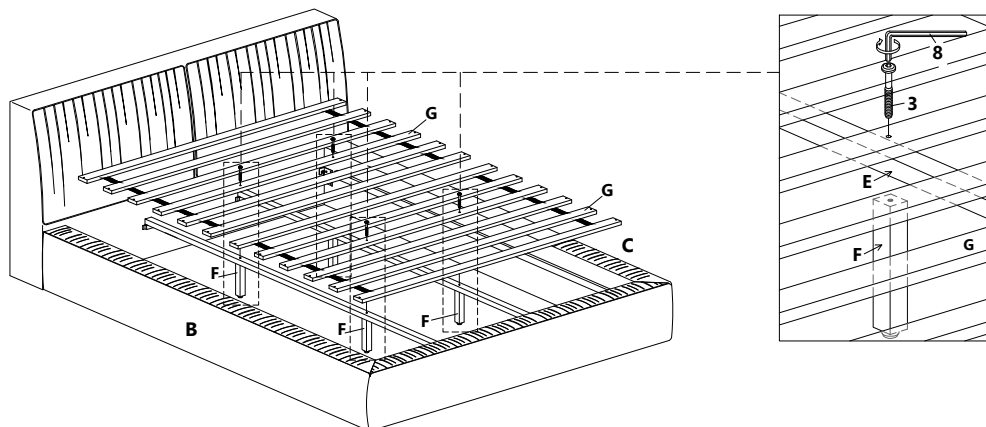


How to assemble

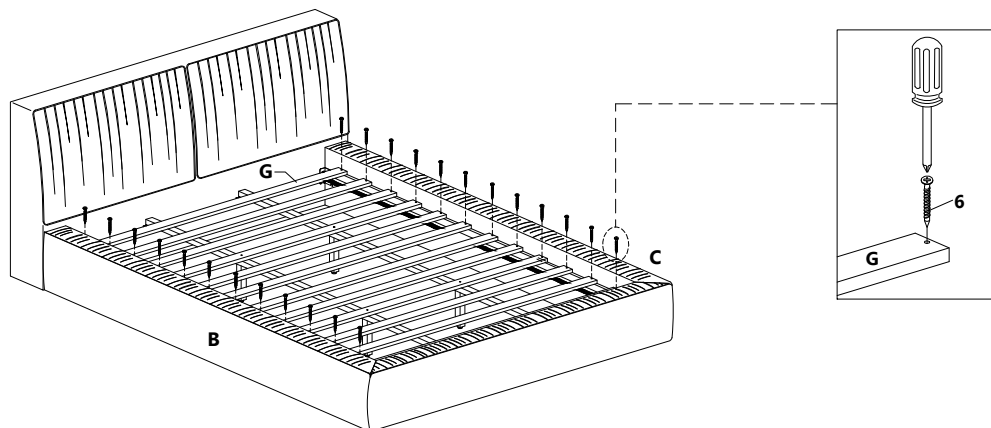
Step 6



Step 7



Step 8



King Bed

