

About the Wood and Finish

This product has been carefully crafted of: MDF, solid pine wood and/or pine veneers. These materials derive from plantations, a renewable and well managed forest, therefore, not endangering the environment. The highest quality standards have been implemented to assure a sturdy and reliable product. Due to the natural variances in the

graining of wood, you may notice subtle differences in the shading and tone of the color stain, warp, holes, wood knots and also small cracks. This is not a defect.

But rather a result of the natural beauty of the wood itself.

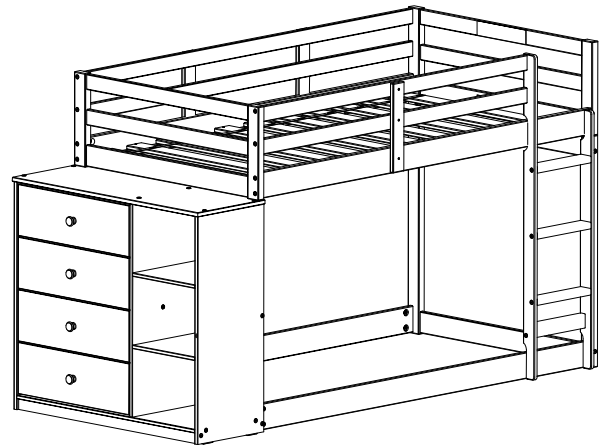
AONNE
FURNITURE

Care and maintenance:

Dust when needed using a smooth, dry cloth. Household furniture polish can be used occasionally to restore luster.

ASSEMBLY INSTRUCTIONS

BD01372 TT BUNK BED



Thank you for purchasing this quality product. Be sure to check all packing materials carefully for small parts which may have come loose inside the carton during shipment. Separate, identify and count all parts and hardware. Compare with the parts list to be sure that all parts are included.

“DO NOT TIGHTEN SCREWS AND BOLTS UNTIL COMPLETELY ASSEMBLED”.

SIZE OF MATTRESS AND FOUNDATION (SUPPORT)

This bed is designed to use a twin mattress (37½”-38½” x 74-75”) and bunkie board (37½” x 74”). The total thickness must not exceed 8” inches.

Note: There must be at least 5” inches from top surface of mattress to top edge or guardrails.

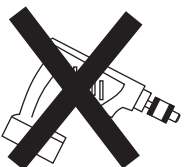
REPLACEMENT PARTS.

Replacement parts, including additional guardrails, may be obtained from place of purchase or original distributor.

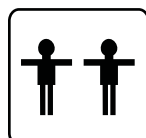
TO OBTAIN PARTS, PLEASE CONTACT: ACME FURNITURE INC - CITY OF INDUSTRY, CA

SAFETY WARNINGS!

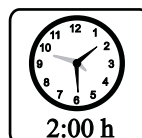
- 1- Follow the information on the warning label appearing on the upper bunk end structure and on the carton. Do not remove warning label from bed.
- 2- Always use the recommended size of mattress or mattress support, or both, to help prevent the likelihood of entrapment or falls.
- 3- The surface of mattress must be at least 5” inches below the upper edge of guardrails.
- 4- Do not allow children under 6 years of age to use the upper bunk.
- 5- Prohibit more than one person on upper bunk.
- 6- Periodically check and ensure that the guardrail, ladder and other components are in their proper position, free from damage, and that all connectors are tight.
- 7- Do not allow horseplay on or under the bed and prohibit jumping on the bed.
- 8- Always use the ladder for entering and leaving the upper bunk.
- 9- Do not use substitute parts. Contact the distributor or dealer for replacement parts.
- 10- The use of a night light may provide added safety precaution for a child using the upper bunk.
- 11- If the bunk bed will be placed next to a wall, the guardrail that runs the full length of the bed should be placed against the wall to prevent entrapment between the bed and the wall.
- 12- Always use guardrails on both long sides of the upper bunk.
- 13- The use of water or sleep flotation mattresses is prohibited.
- 14- Keep these instructions for future reference.
- 15- Strangulation Hazard - Never attach or hang items to any part of the bunk bed that are not designed for use with the bed: for example, but not limited to, hooks, belts, and jump ropes, etc.



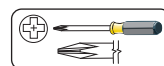
!
* Use of power tool to assemble this product will invalidate any claim and damage this product, making it unsafe!!
* Please assemble on a clean soft surface to avoid damage.



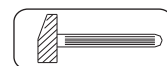
+



Tools Required



(Not included)



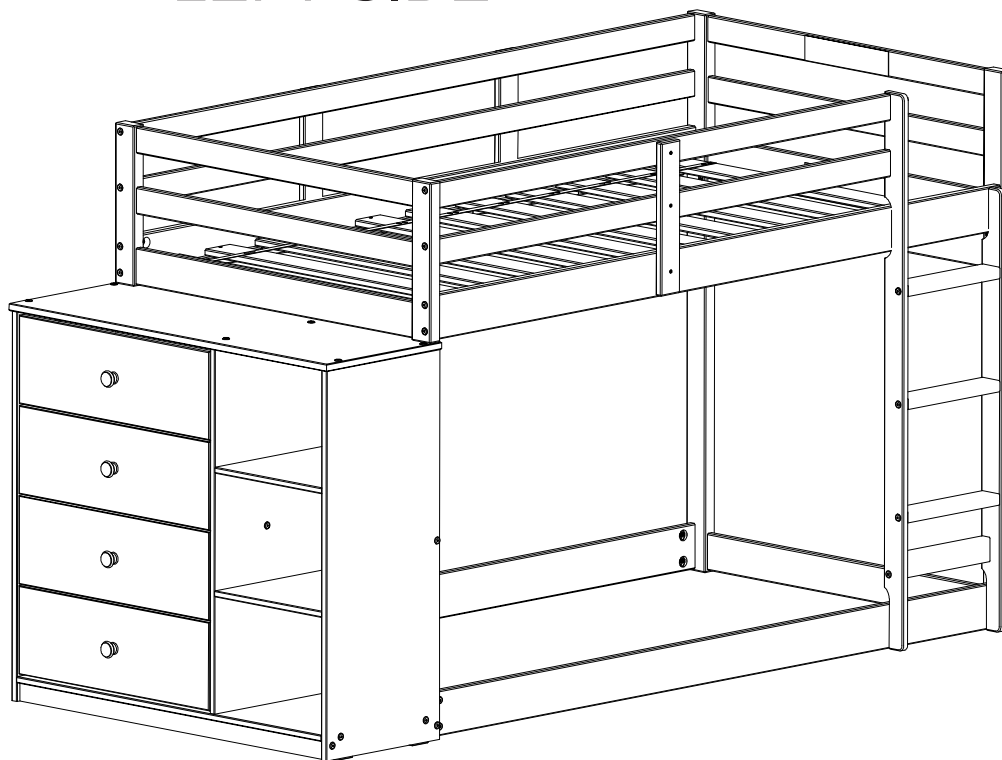
(Not included)



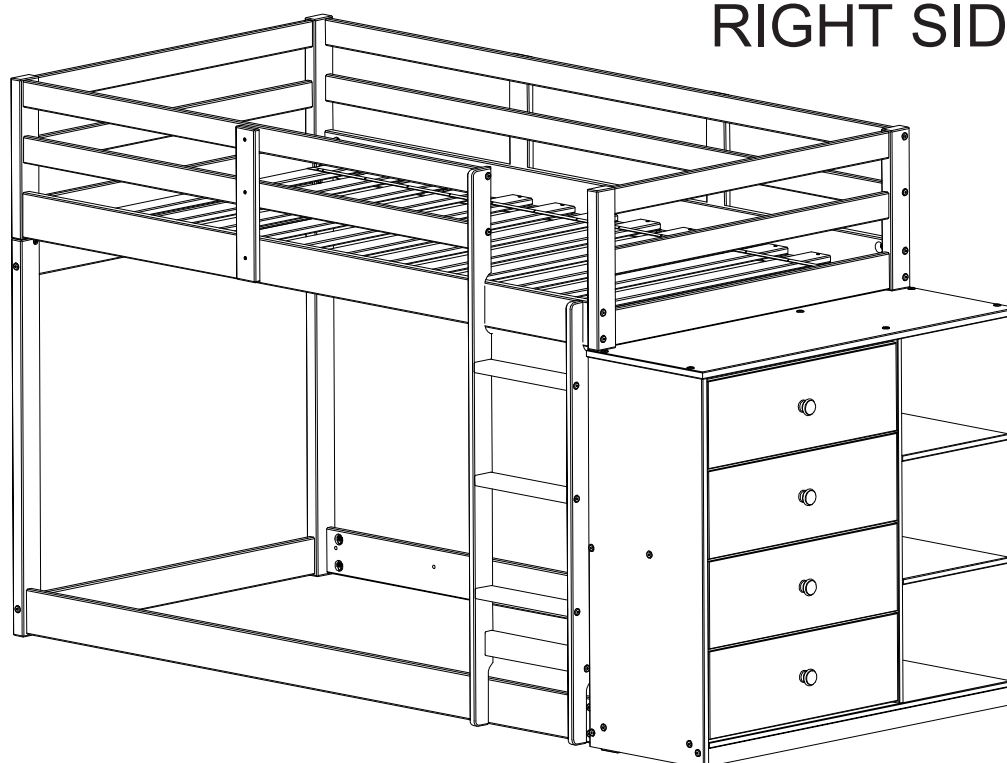
IMPORTANT: PLEASE READ INSTRUCTIONS BEFORE STARTING THE ASSEMBLY

BD01372 TT BUNK BED

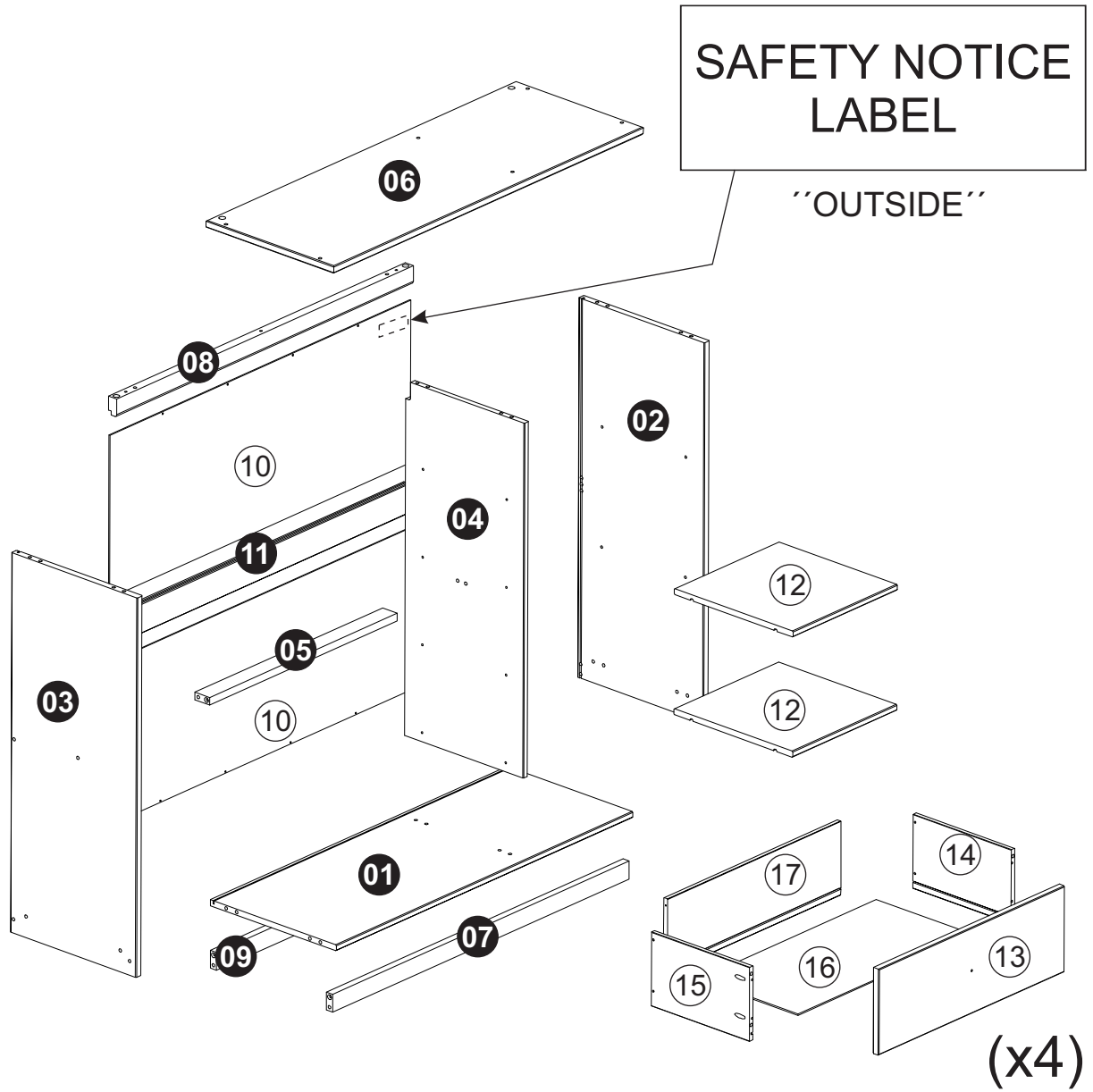
**OPTION
LEFT SIDE**



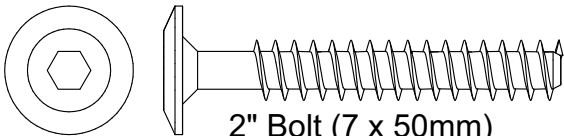
**OPTION
RIGHT SIDE**

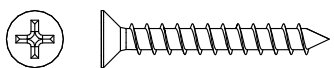


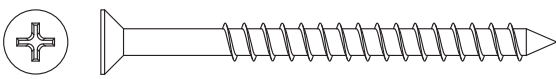
Part List - BD01372 CHEST

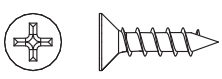


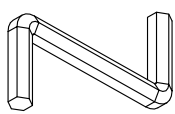
Identifying the Hardware-Identify the hardware using the illustrations below.


F  **Qty 20**
2" Bolt (7 x 50mm)

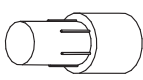
G  **Qty 32**
1 3/16" Screw (4 x 30mm)


H  **Qty 03**
2 3/8" Screw (4,5 x 60mm)

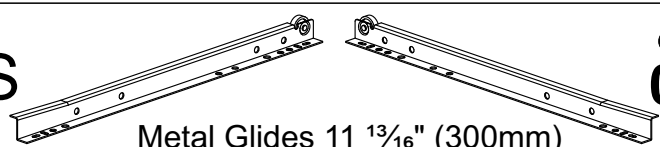
I  **Qty 07**
5/8" Screw (3.5 x 16mm)

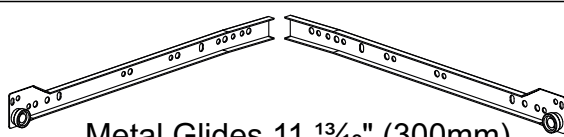
L  **Qty 01**
Allen wrench

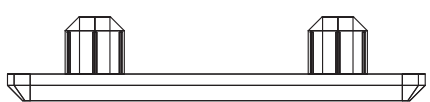
N  **Qty 40**
1 3/16" Wooden Dowel (8 x 30mm)

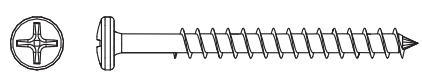
Q  **Qty 08**
Plastic Support

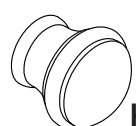
R  **Qty 32**
3/8" Screw (6 x 10mm)

S  **Qty 04**
Metal Glides 11 13/16" (300mm)

T  **Qty 04**
Metal Glides 11 13/16" (300mm)

U  **Qty 04**
Plastic Foot

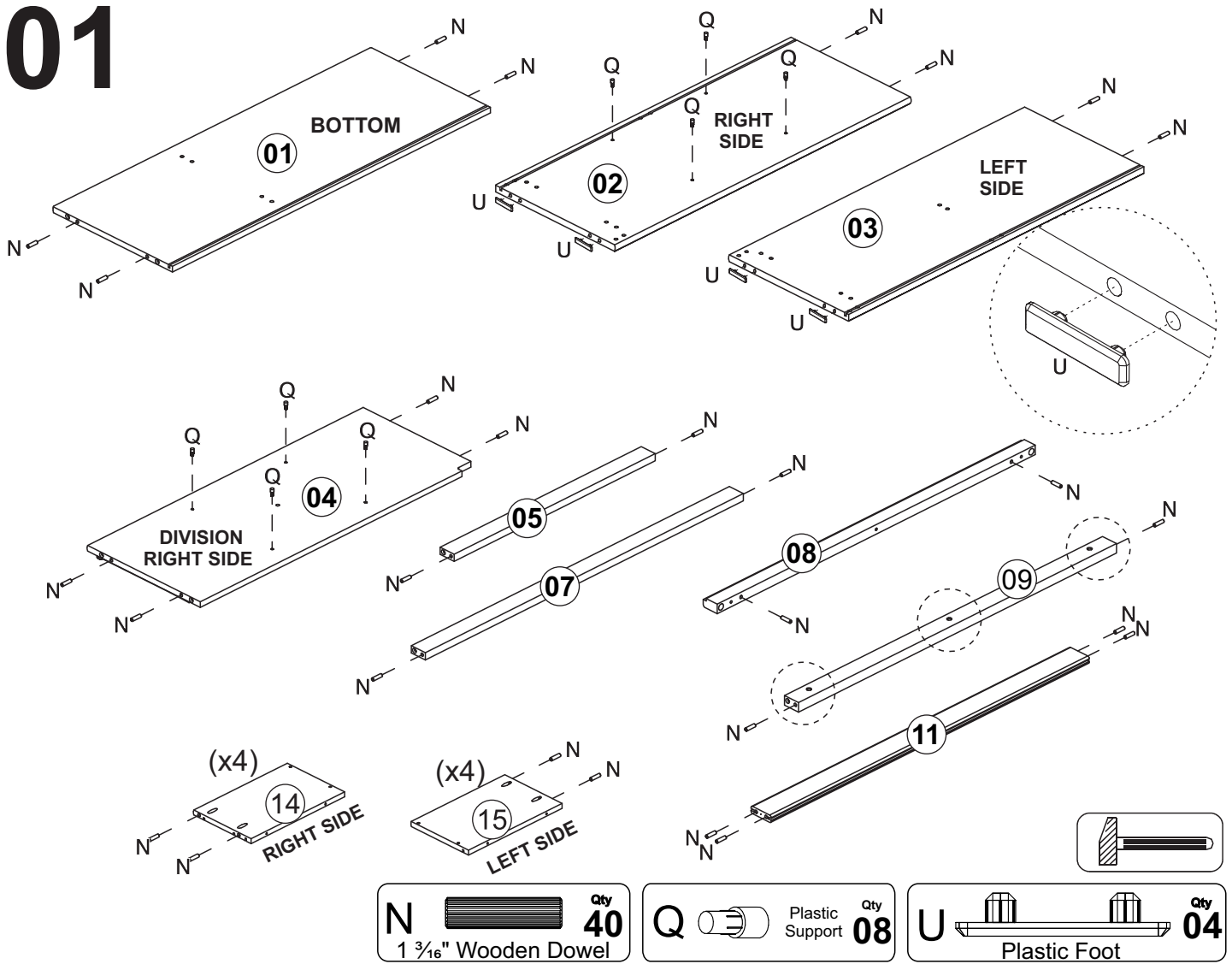
V  **Qty 04**
1 9/16" Screw (4 x 40mm)

X  **Qty 04**
Knob



*Full size screws and bolts, for conference.

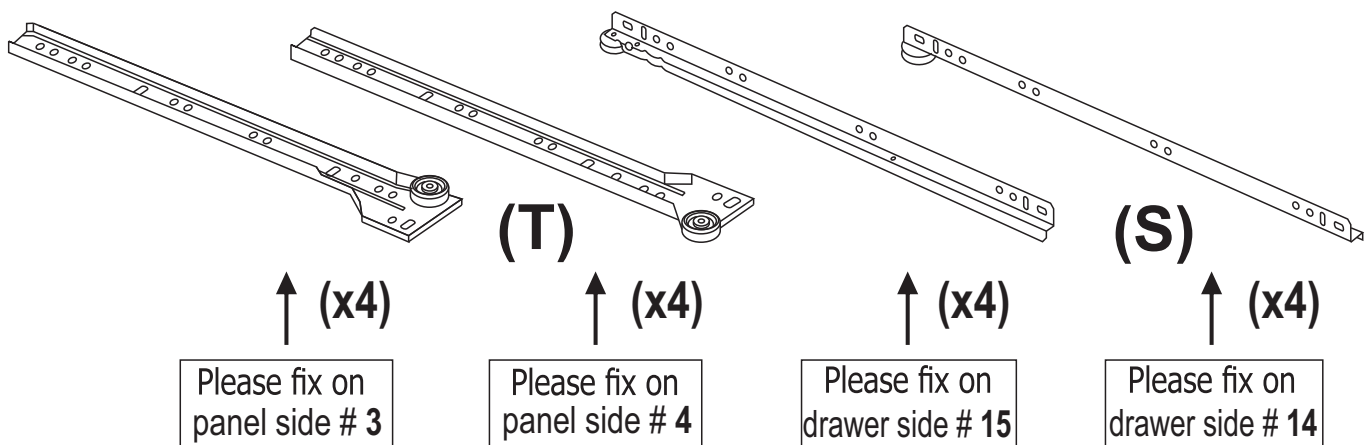
01



SET OF METAL SLIDES FOR THE DRAWERS

The metal slides hardware are all in one packed. Please separate the left and right pieces like a pair.

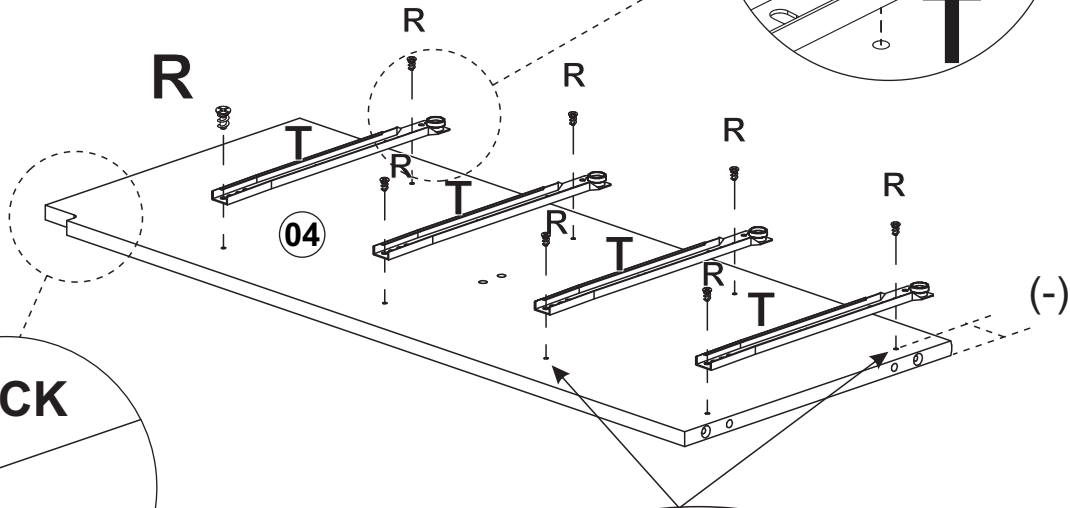
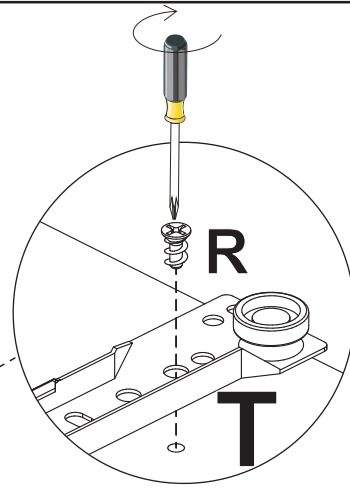
- The slides # **T** are used on chest panel side and has a left and right pieces.
- The slides # **S** are used on drawers side, also has a left and right pieces.



02



The wheel to the front!

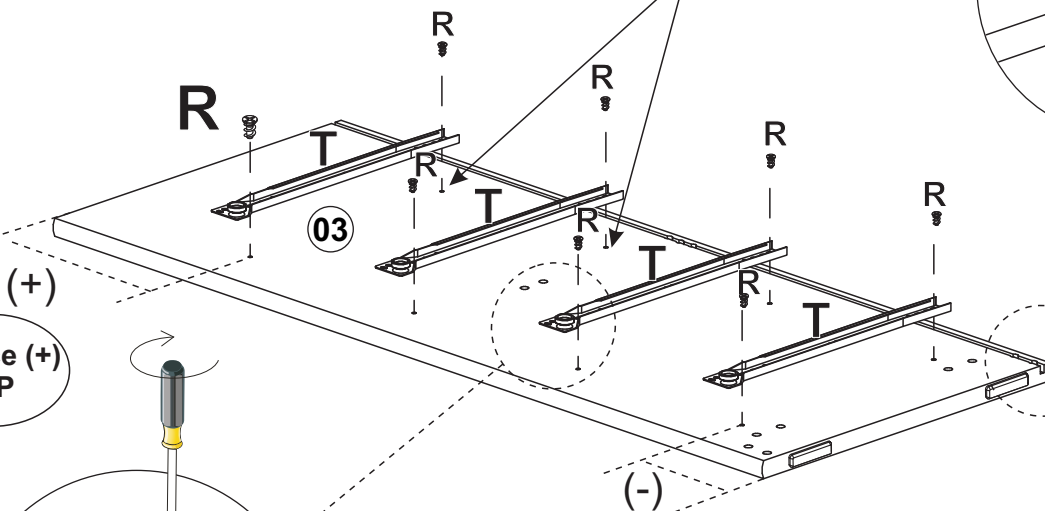


Space (-)
Bottom

BACK

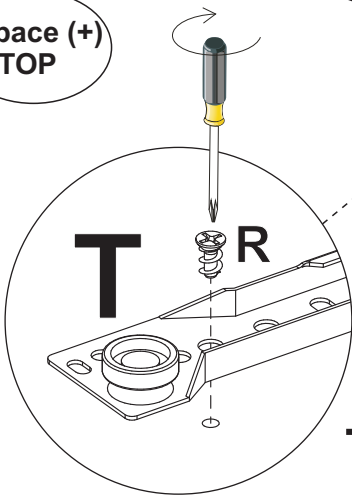
PRE-DRILLED
HOLES

BACK

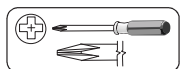


Space (+)
TOP

Space (-)
Bottom



The wheel to the front!



R



3/8" Screw

Qty
16

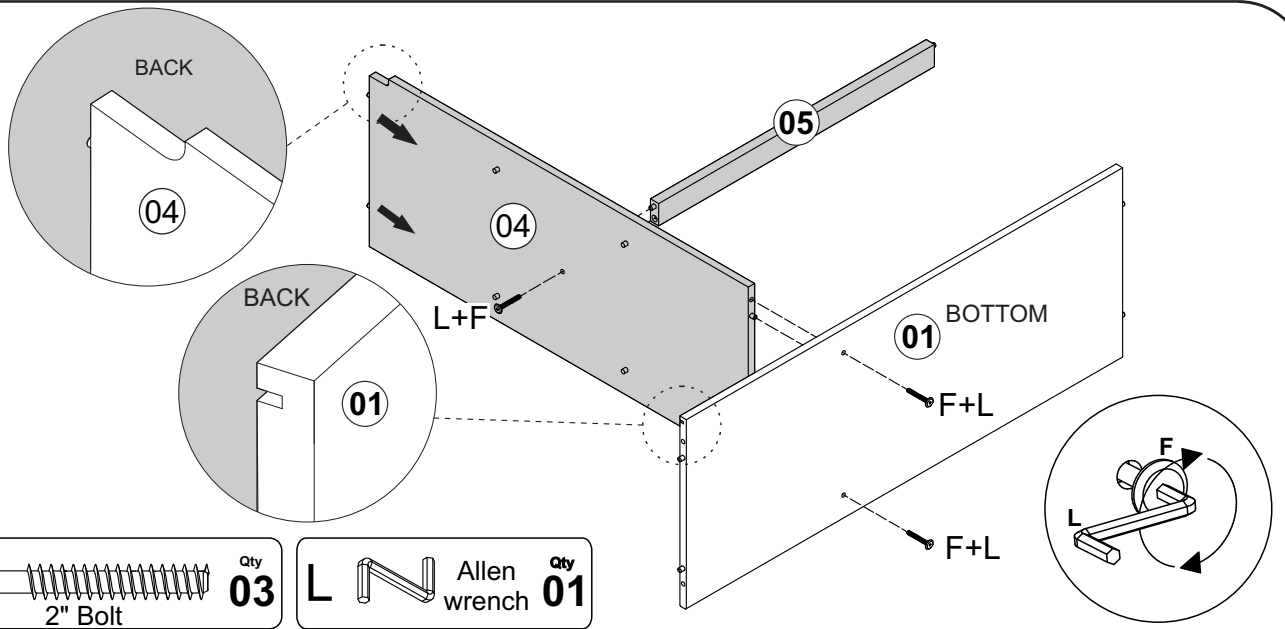
T



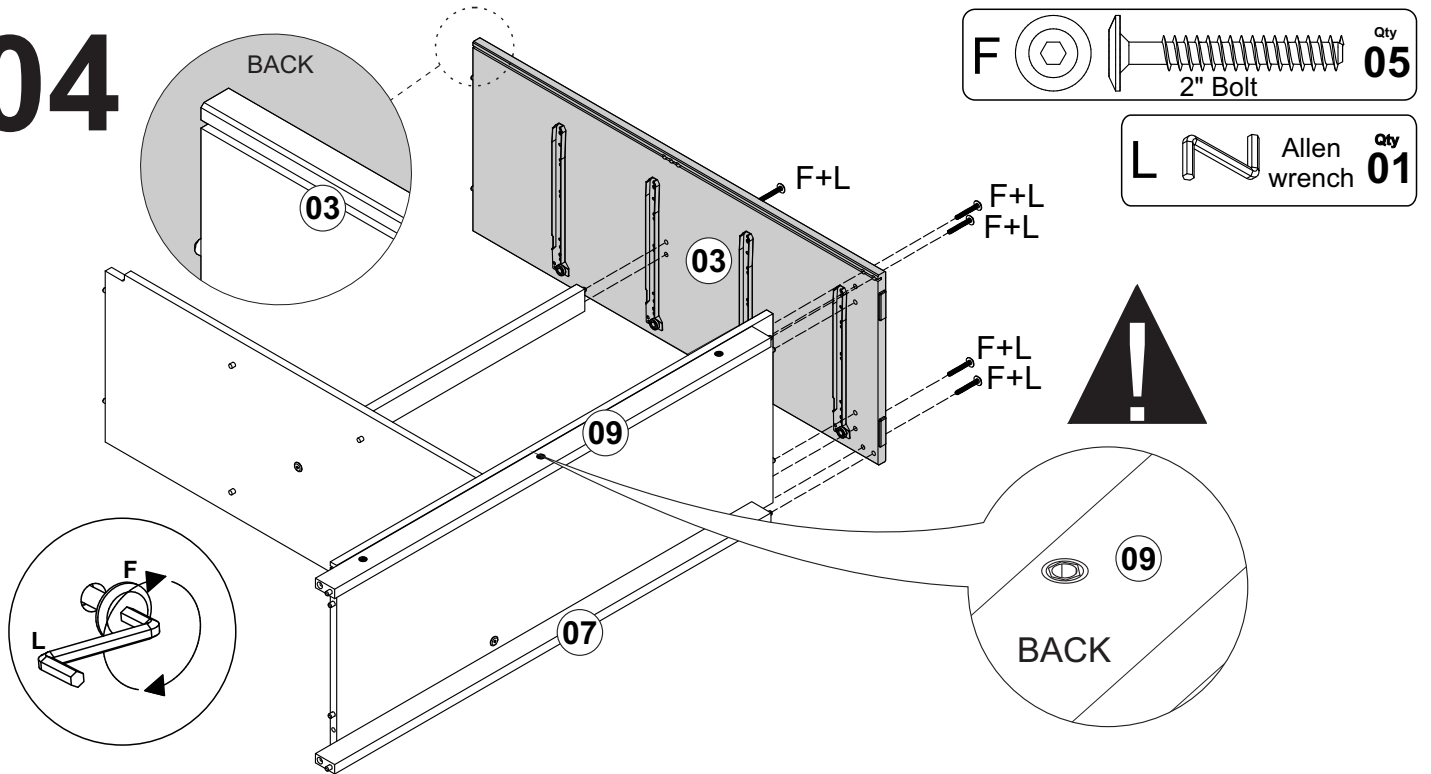
Metal Glides 11 13/16"

Qty
04

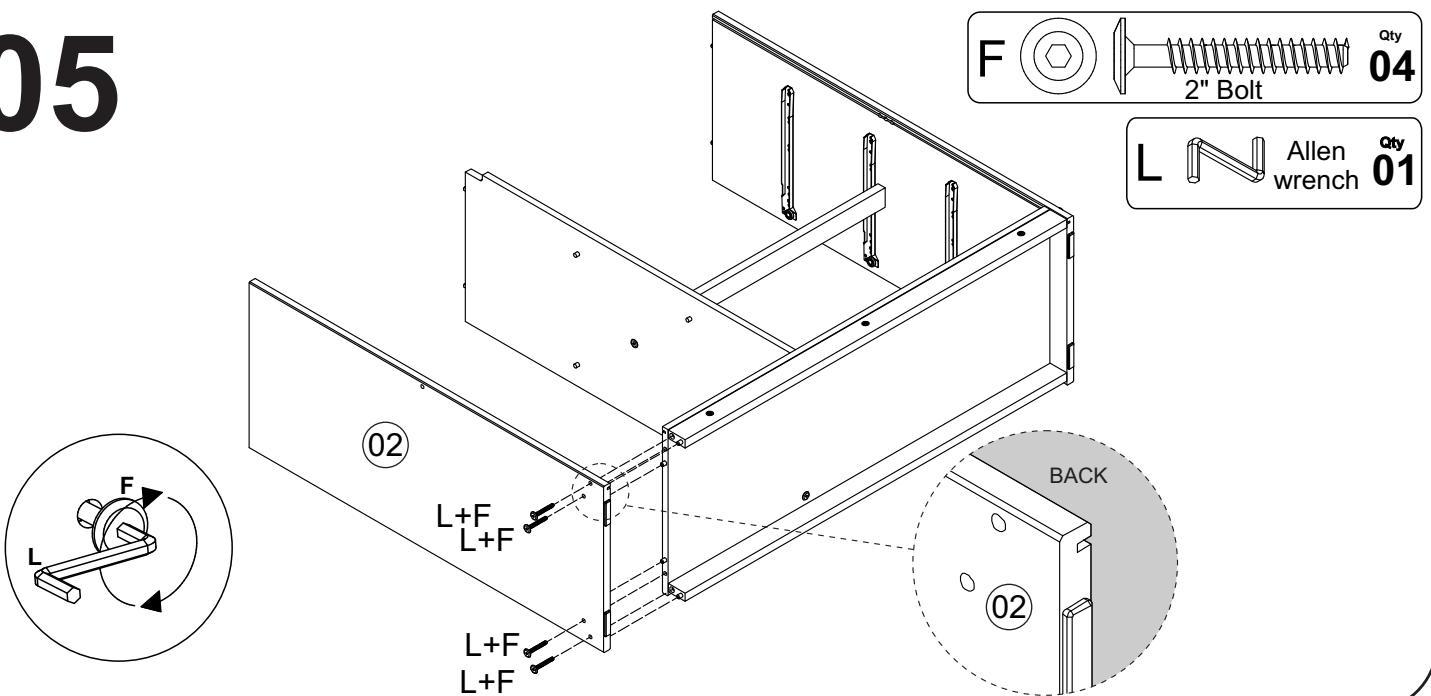
03



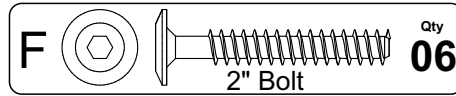
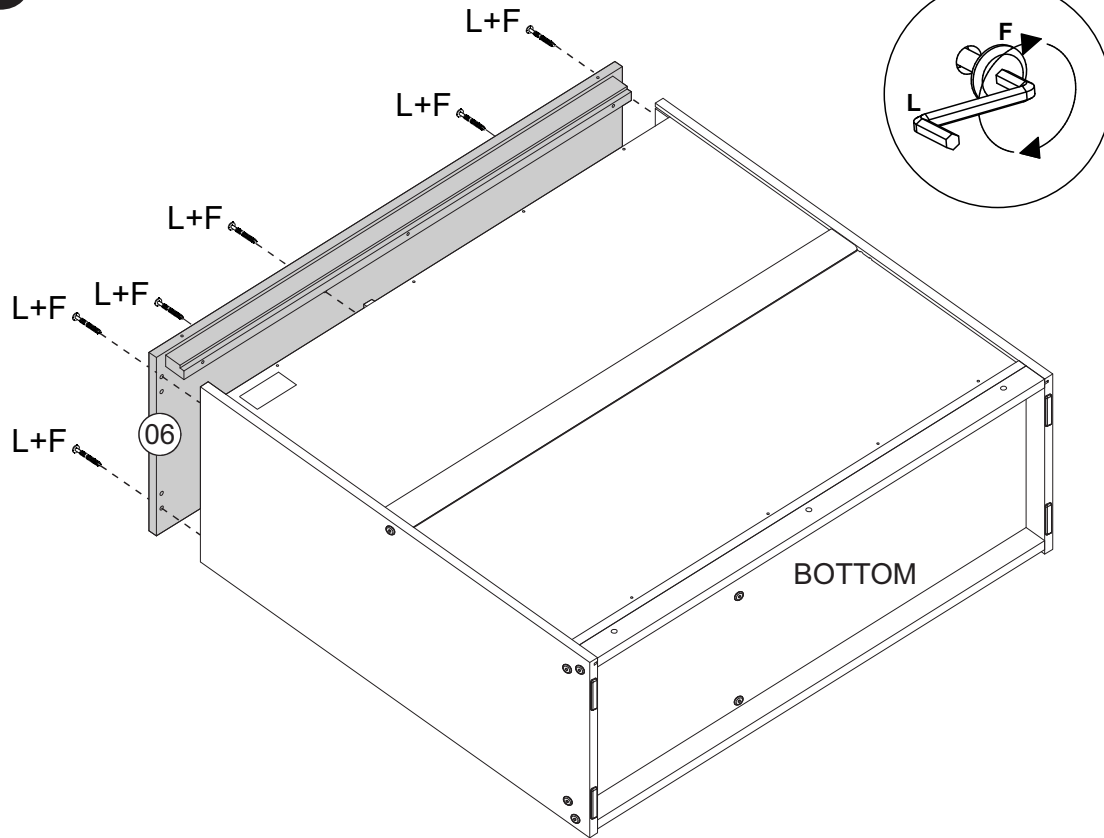
04



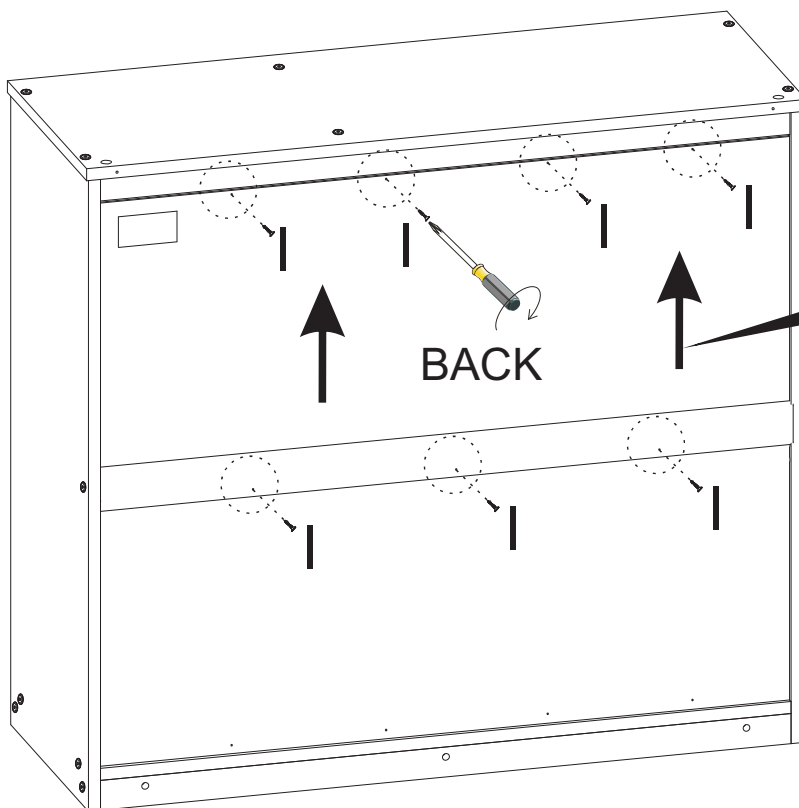
05



08

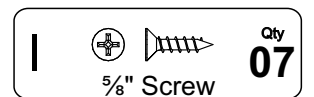
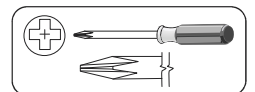


09



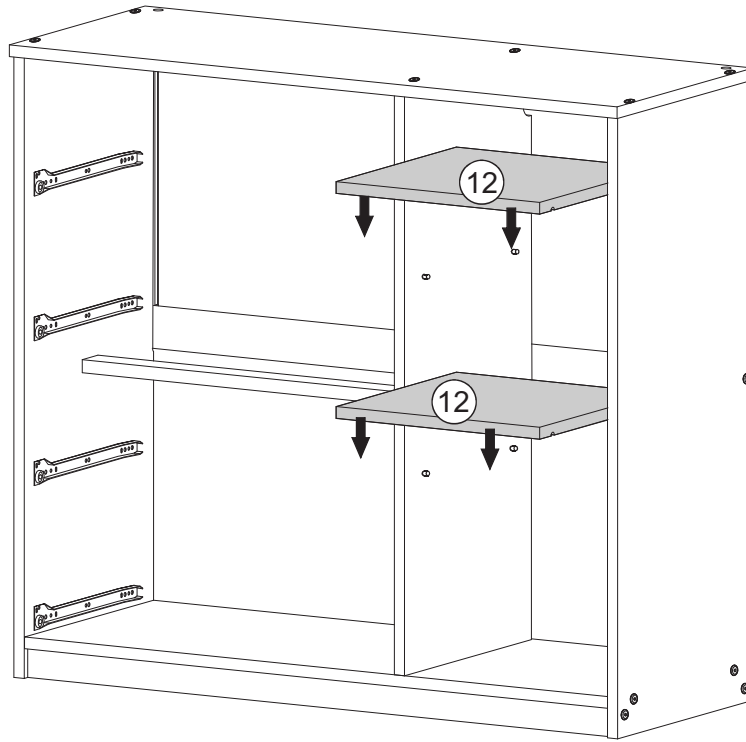
! HOLES TOP

! Please push up the panel to screw.



10

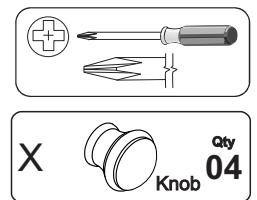
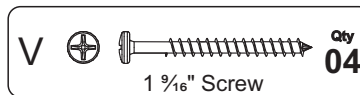
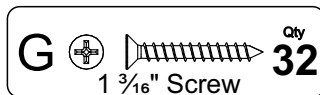
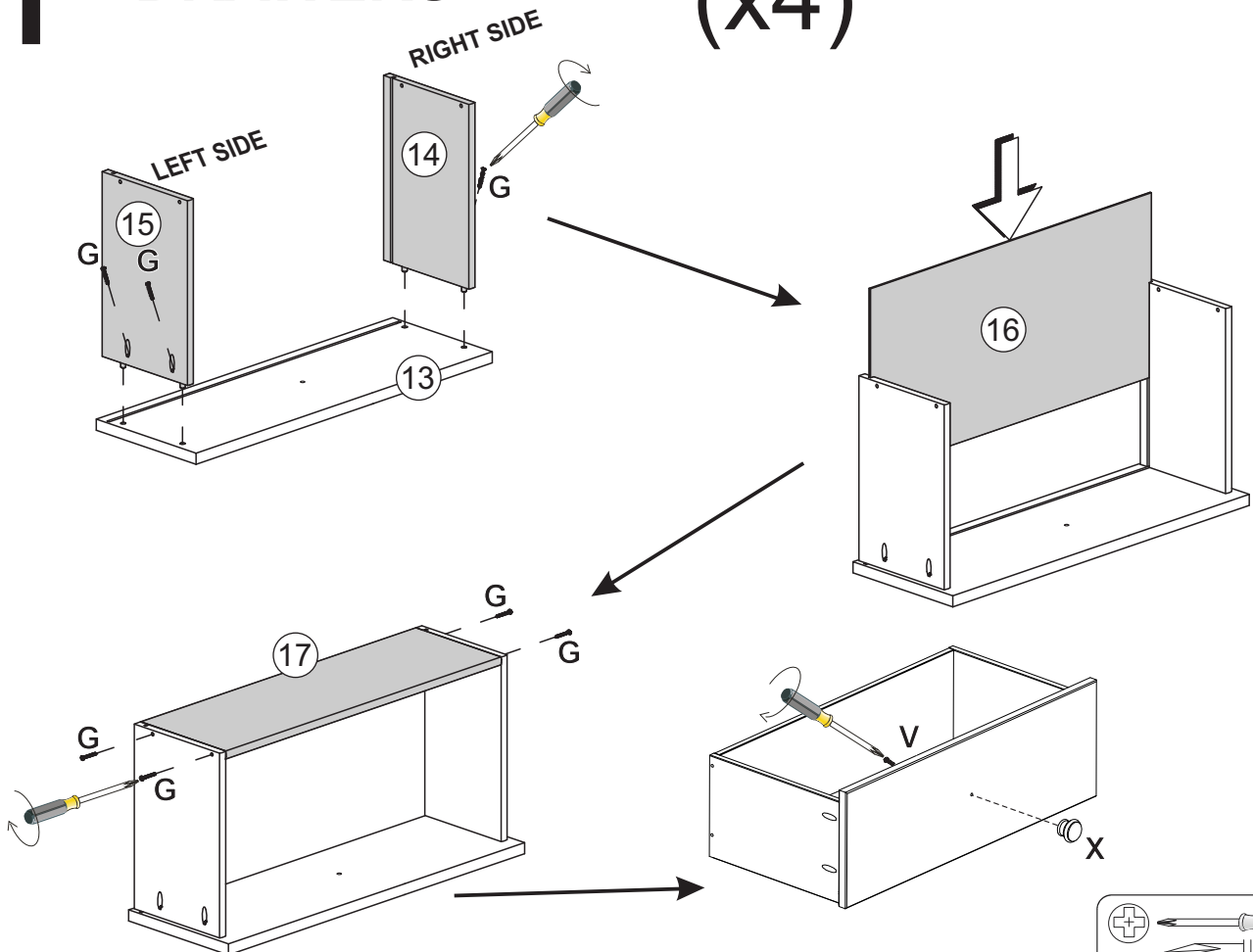
FRONT



11

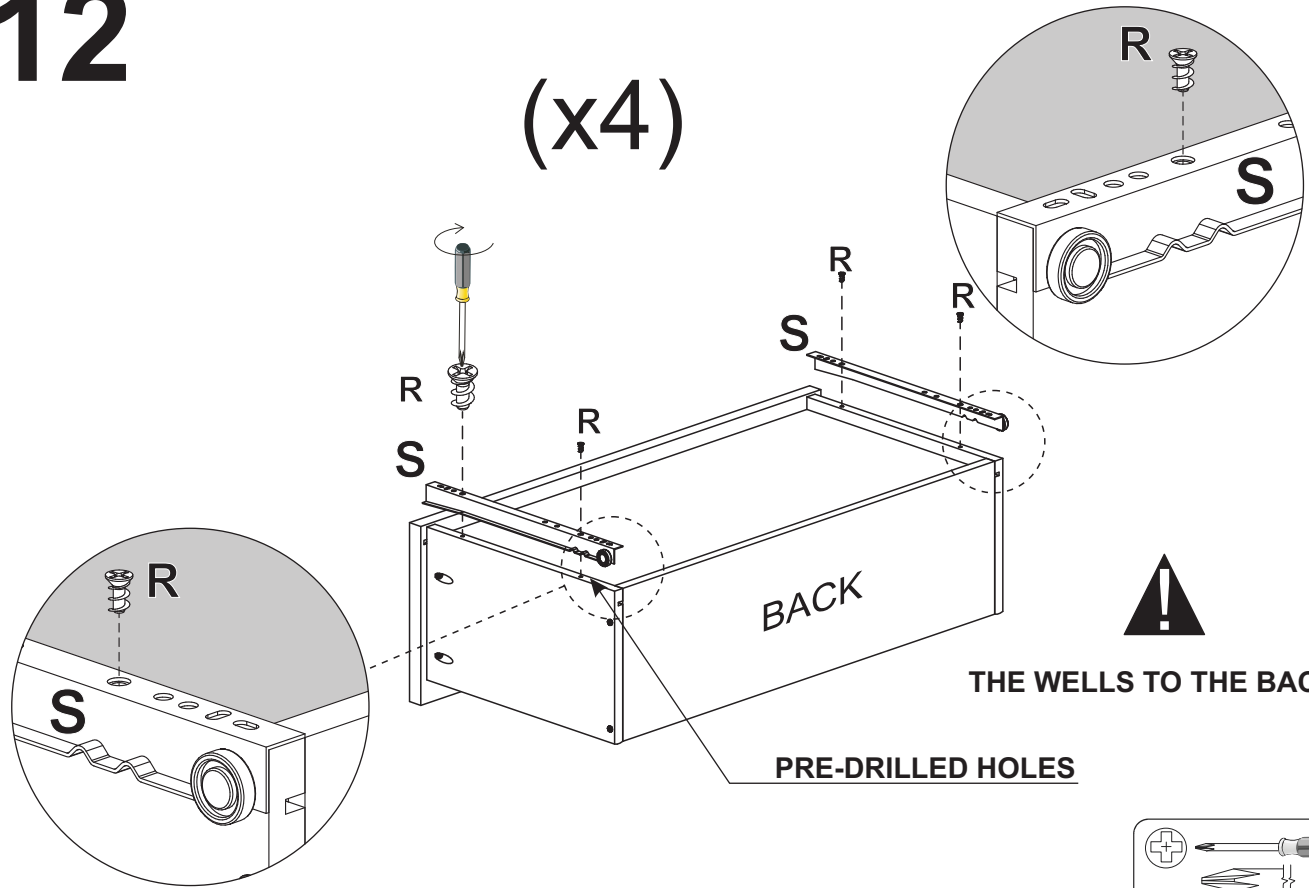
DRAWERS

(x4)



12

(x4)



THE WELLS TO THE BACK

PRE-DRILLED HOLES

R



3/8" Screw

Qty
16

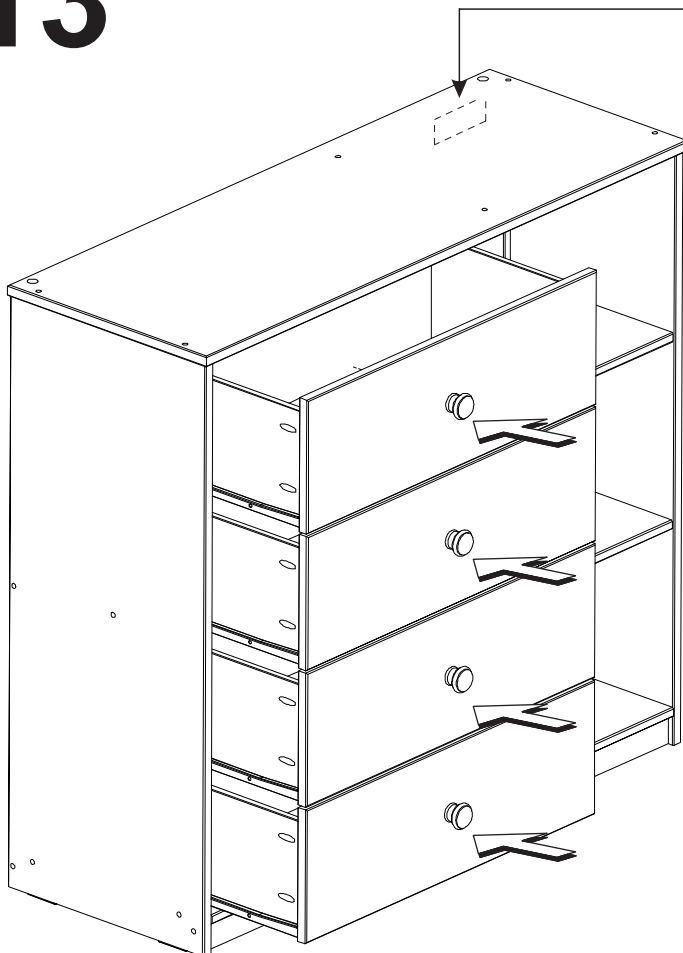
S



Metal Glides 11 13/16"

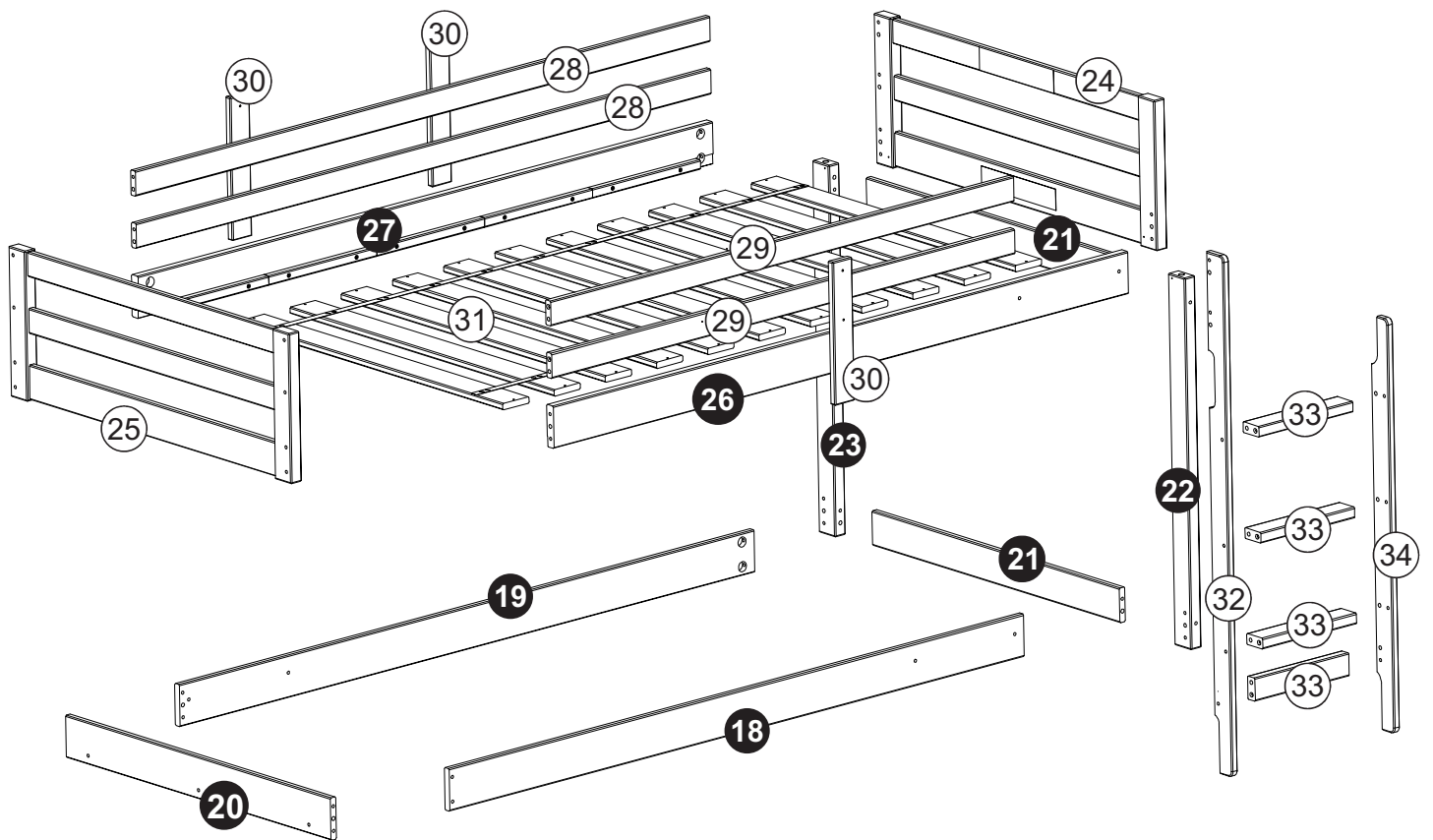
Qty
04

13



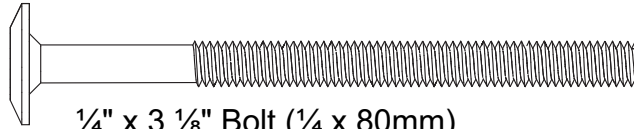
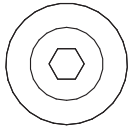
SAFETY NOTICE
TO AVOID ACCIDENTS,
IT IS PROHIBITED TO USE
CHEST IF IT IS NOT
ATTACHED TO THE BUNK BED

Part List - BD01372 TT BUNK BED



Identifying the Hardware-Identify the hardware using the illustrations below.

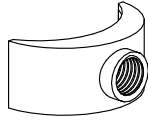
A



$\frac{1}{4}$ " x $3\frac{1}{8}$ " Bolt ($\frac{1}{4}$ x 80mm)

Qty
16

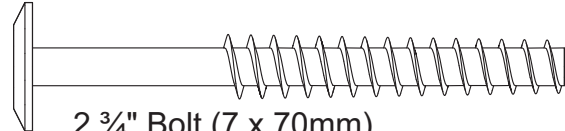
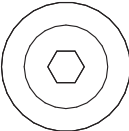
B



$\frac{1}{4}$ "
Elliptical
Nut

Qty
16

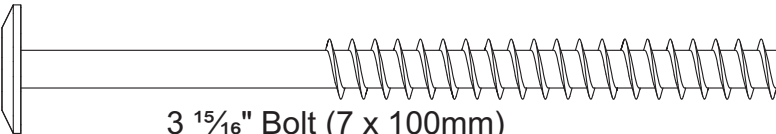
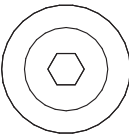
C



$2\frac{3}{4}$ " Bolt (7 x 70mm)

Qty
06

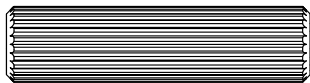
D



$3\frac{15}{16}$ " Bolt (7 x 100mm)

Qty
04

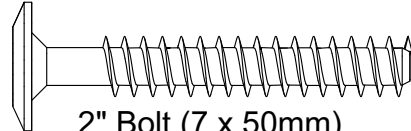
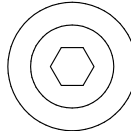
E



$1\frac{9}{16}$ " Wooden Dowel (10 x 40mm)

Qty
28

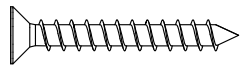
F



2" Bolt (7 x 50mm)

Qty
14

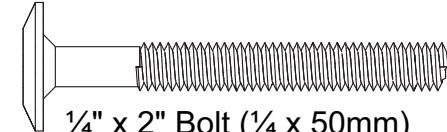
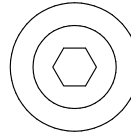
G



$1\frac{3}{16}$ " Screw (4 x 30mm)

Qty
39

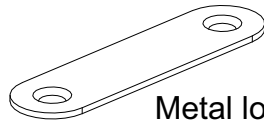
I



$\frac{1}{4}$ " x 2" Bolt ($\frac{1}{4}$ x 50mm)

Qty
03

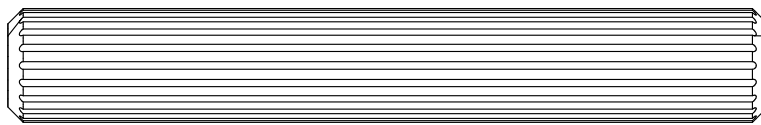
J



Metal lock

Qty
04

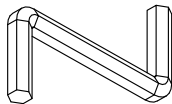
K



$3\frac{15}{16}$ " Wooden Dowel (15 x 100mm)

Qty
04

L

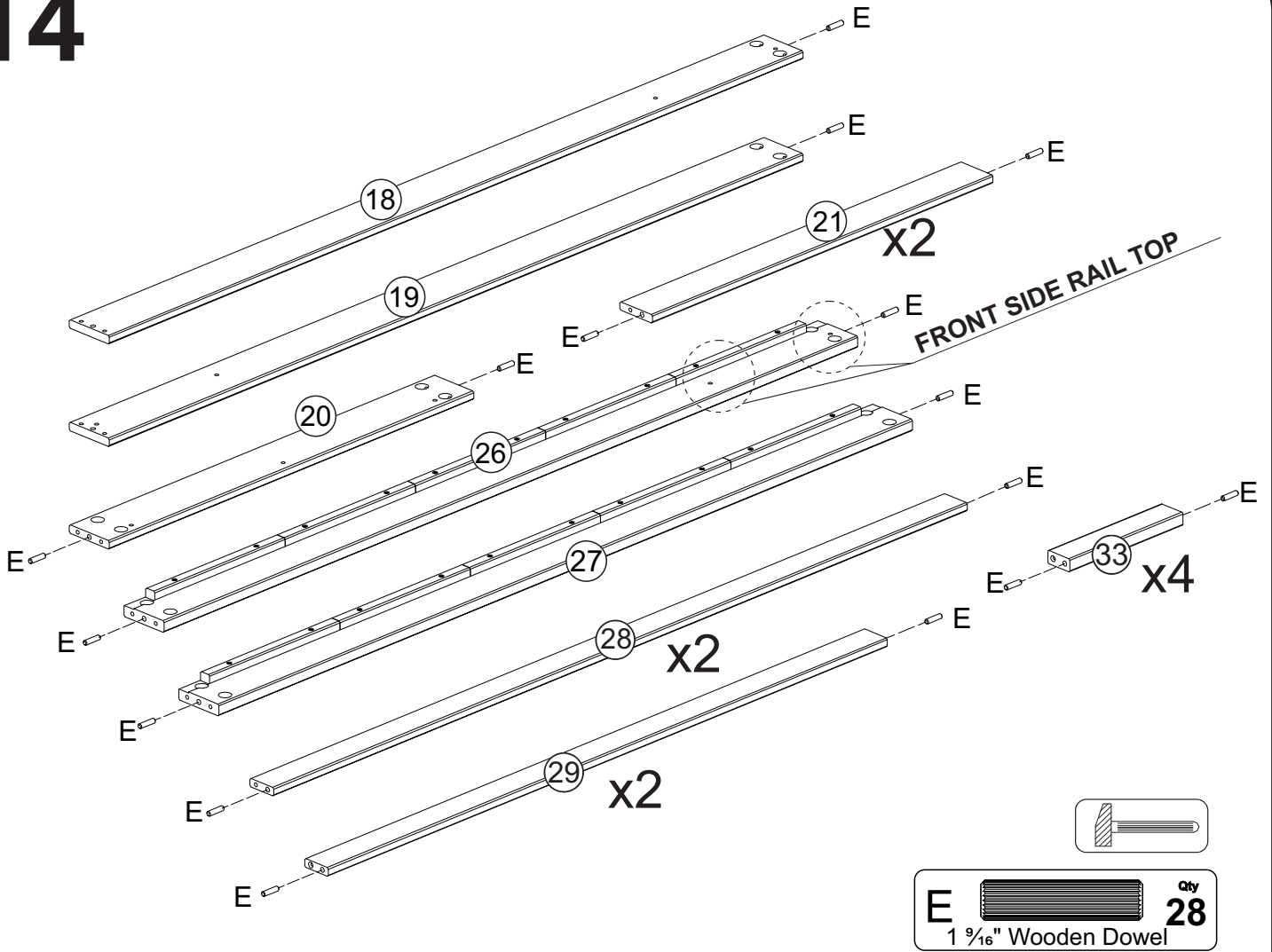


Allen
wrench

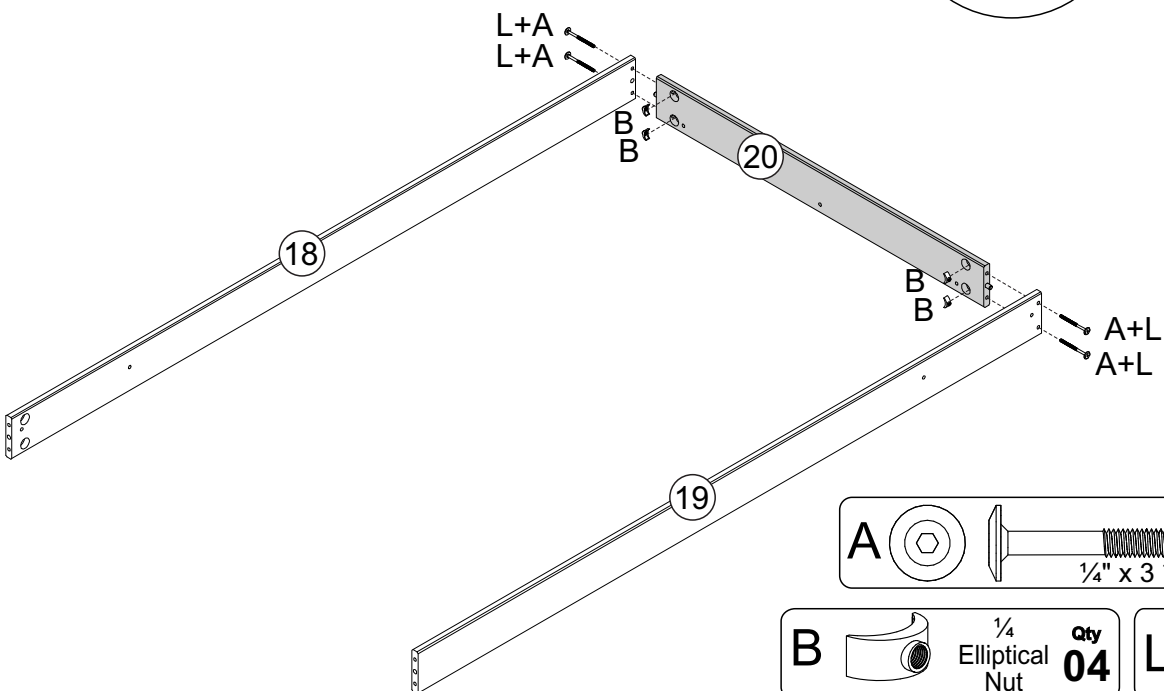
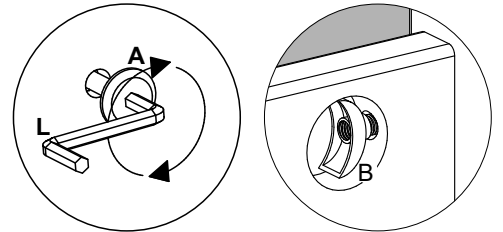
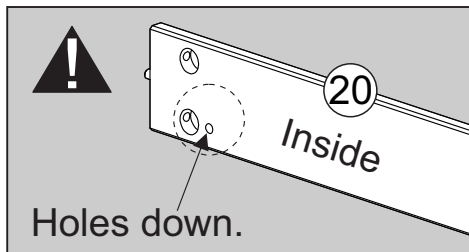
Qty
01

*Full size screws and bolts, for conference.

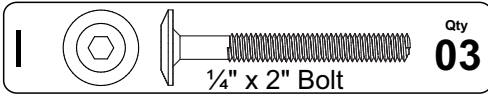
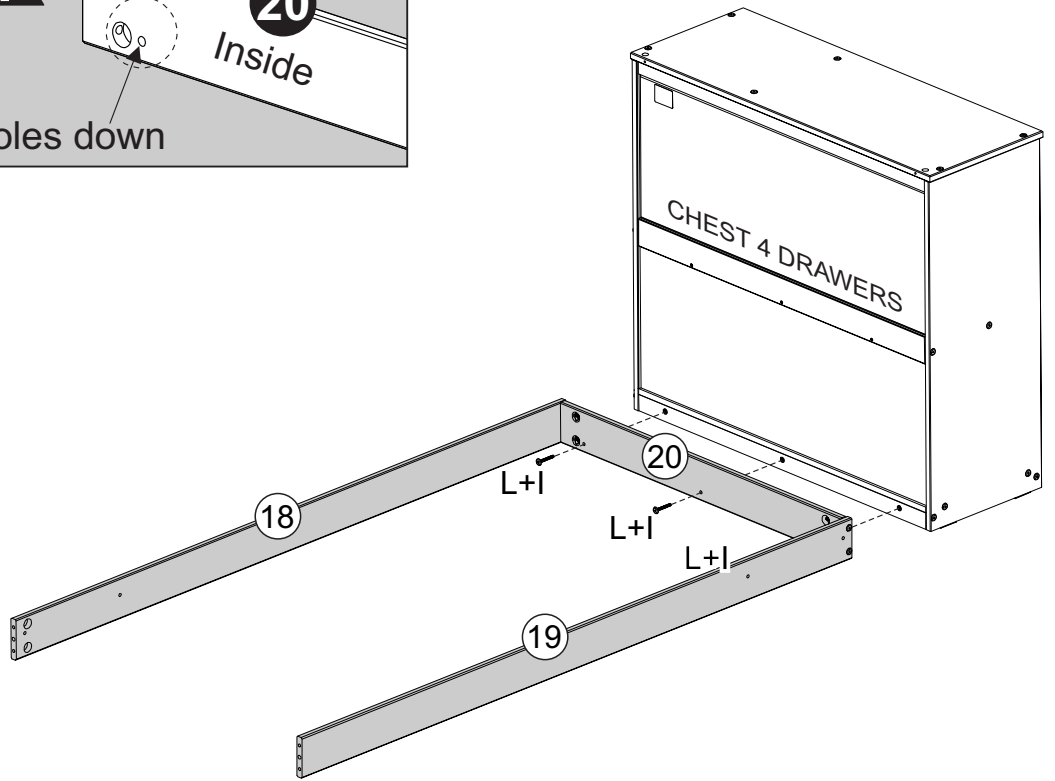
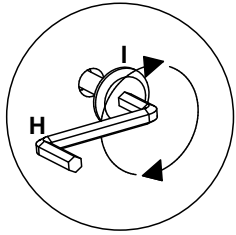
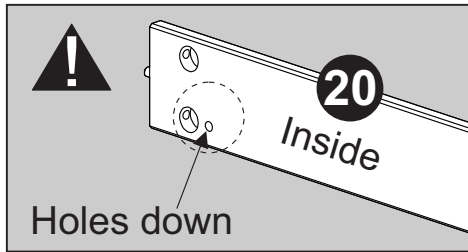
14



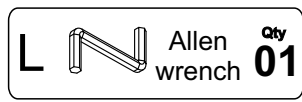
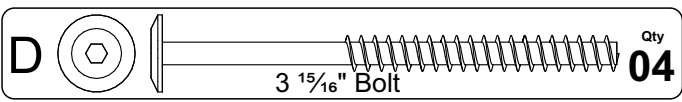
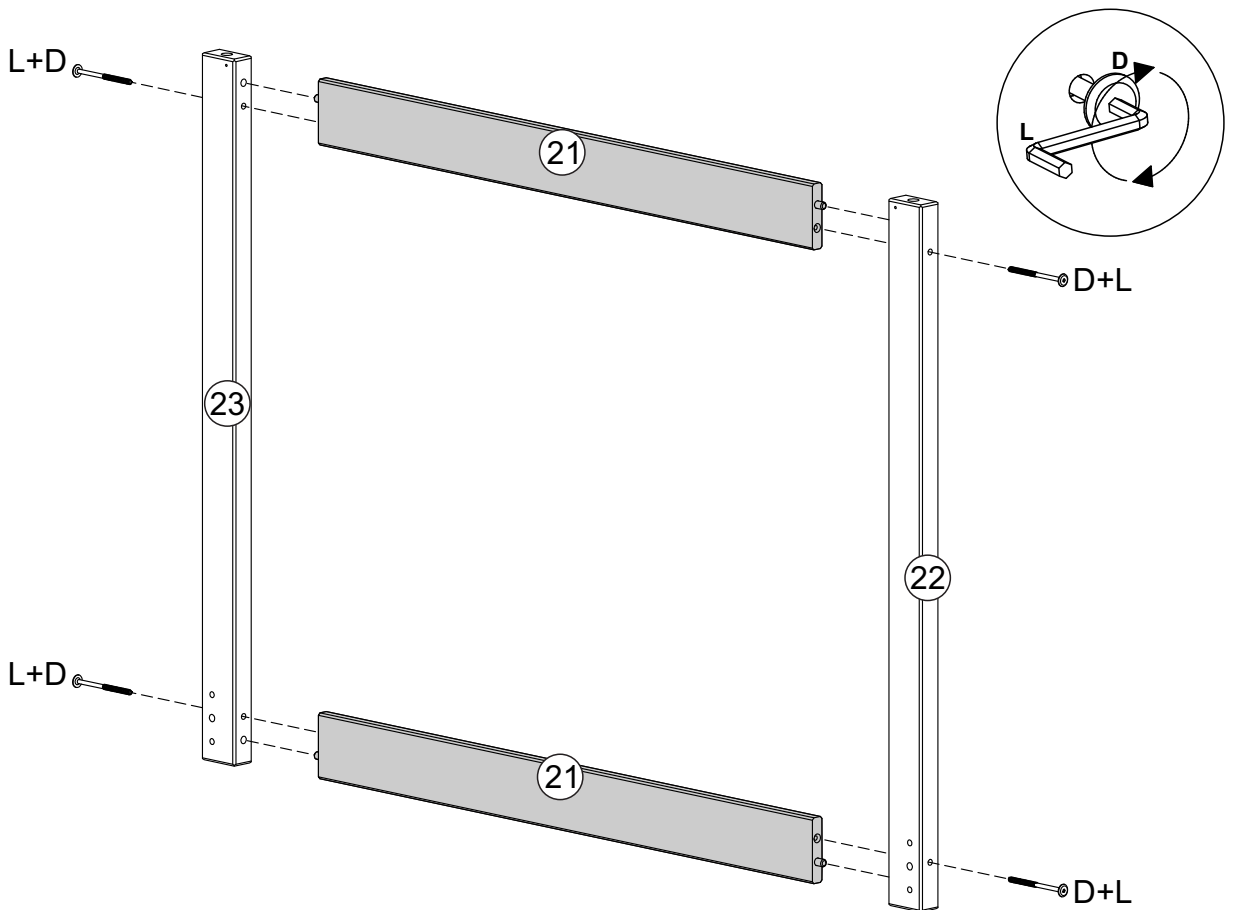
15



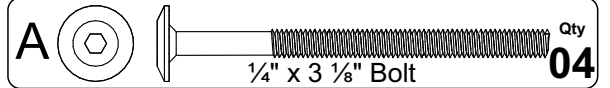
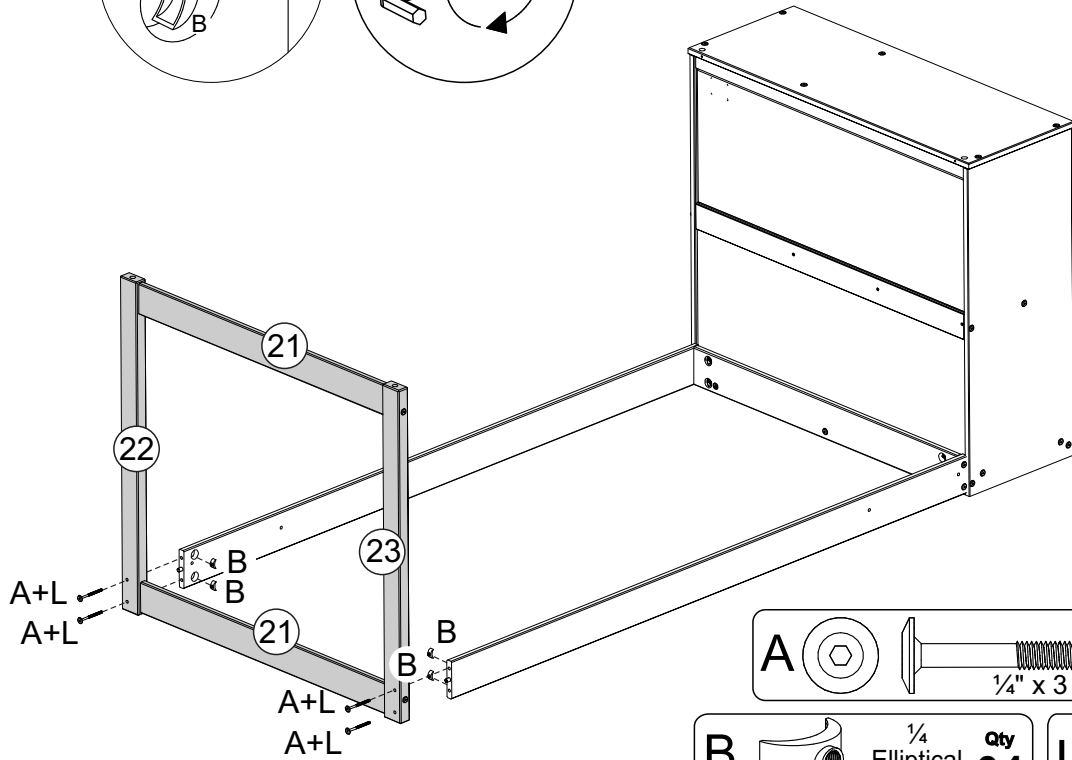
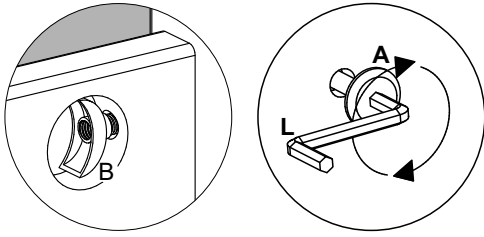
16



17

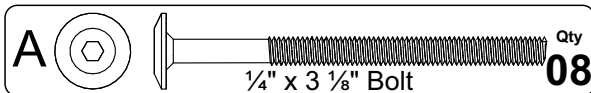
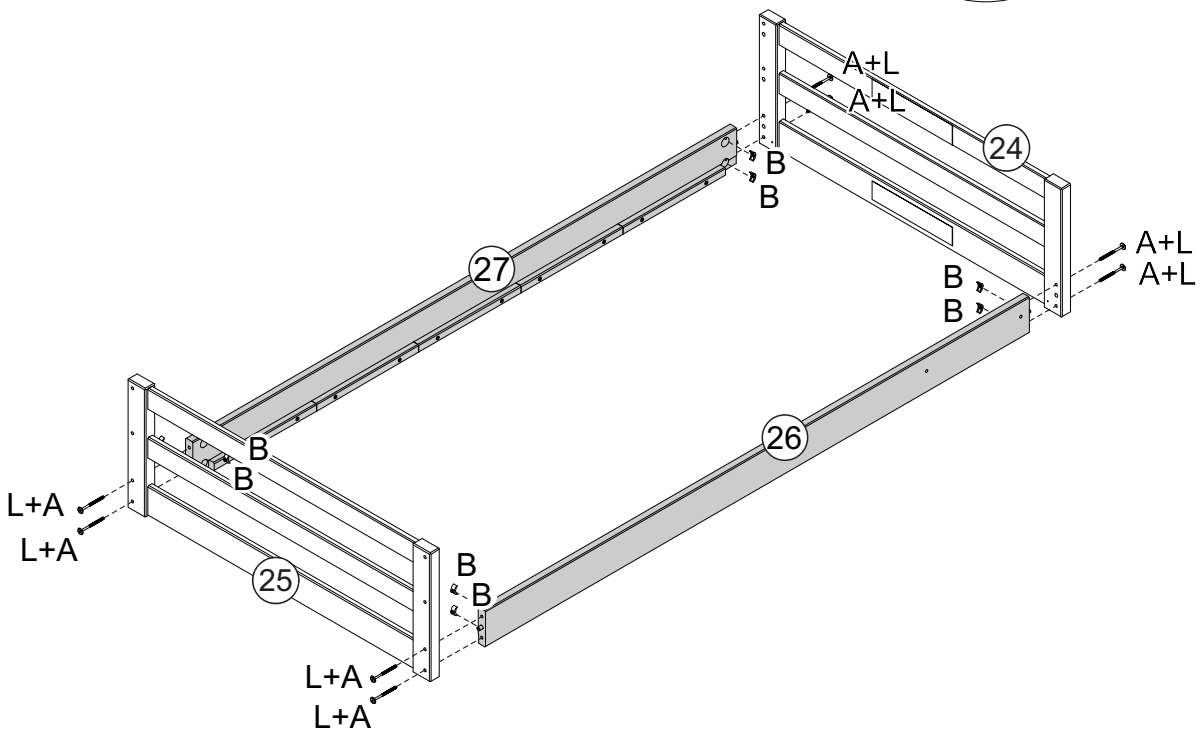
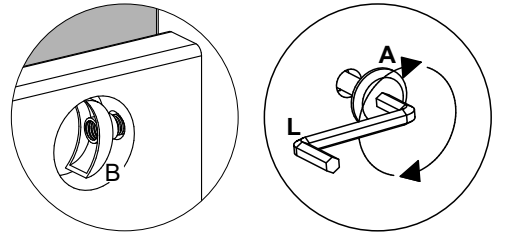


18



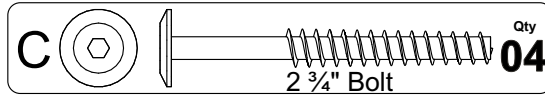
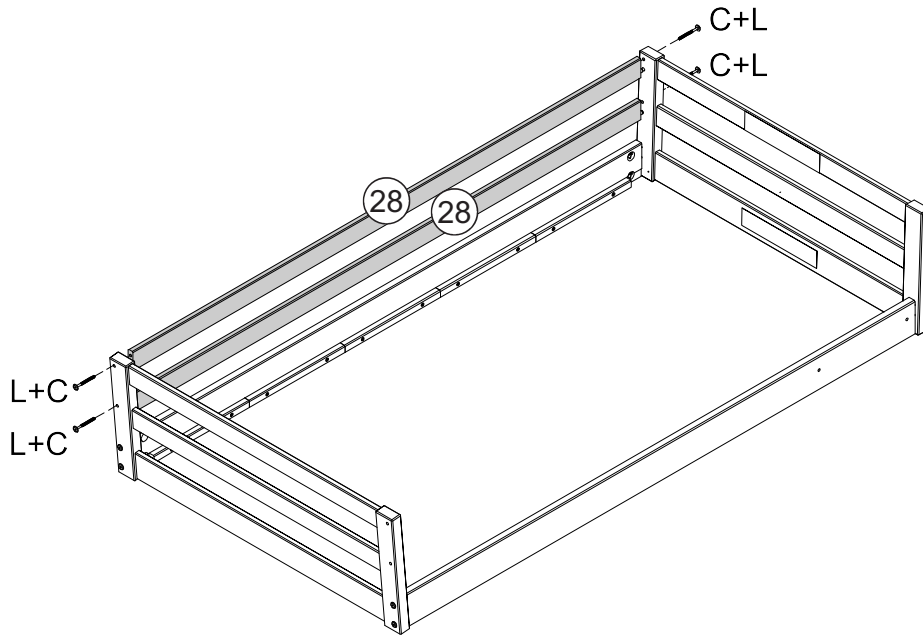
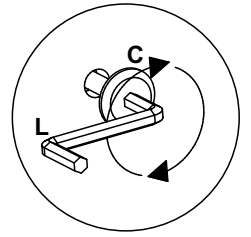
19

INSERT AND ATTACH BOLTS AND NUTS (A&B), BUT DO NOT TIGHTEN UNTIL STEP #019



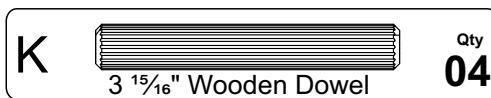
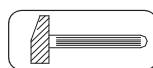
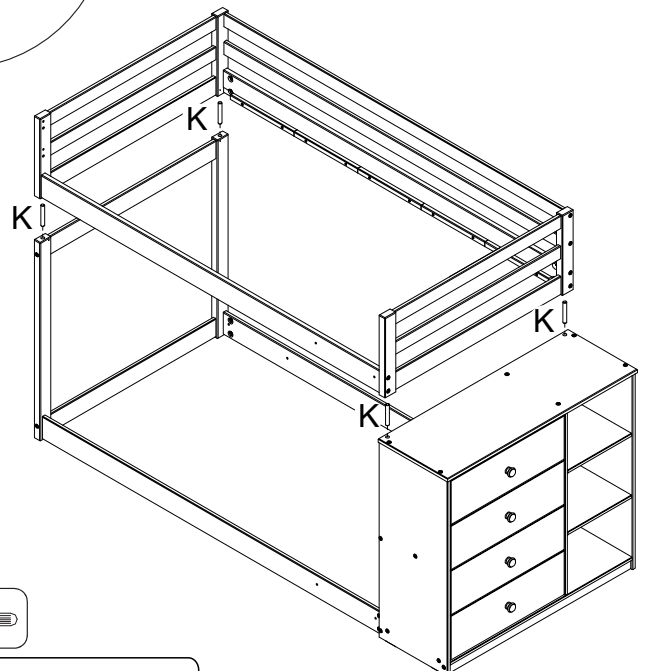
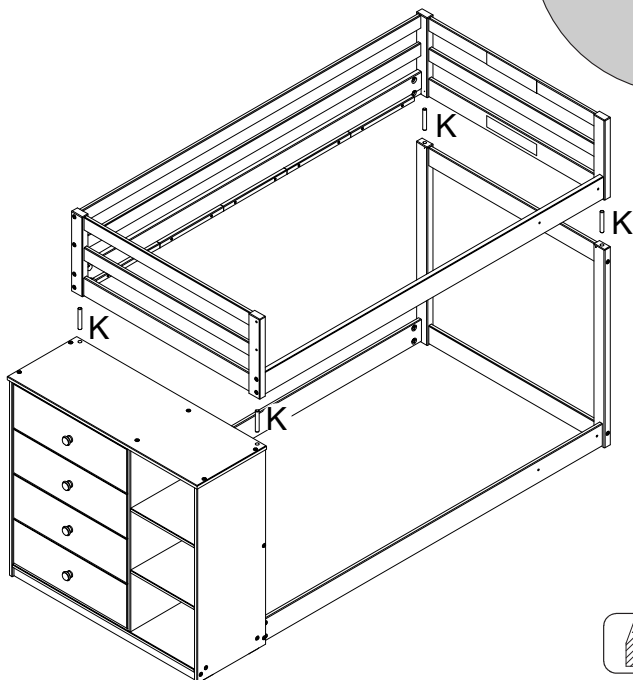
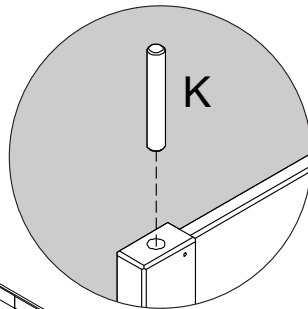
20

AFTER ATTACHED BOLTS "C"
AT THIS TIME,
PLEASE TIGHTEN ALL SCREWS!

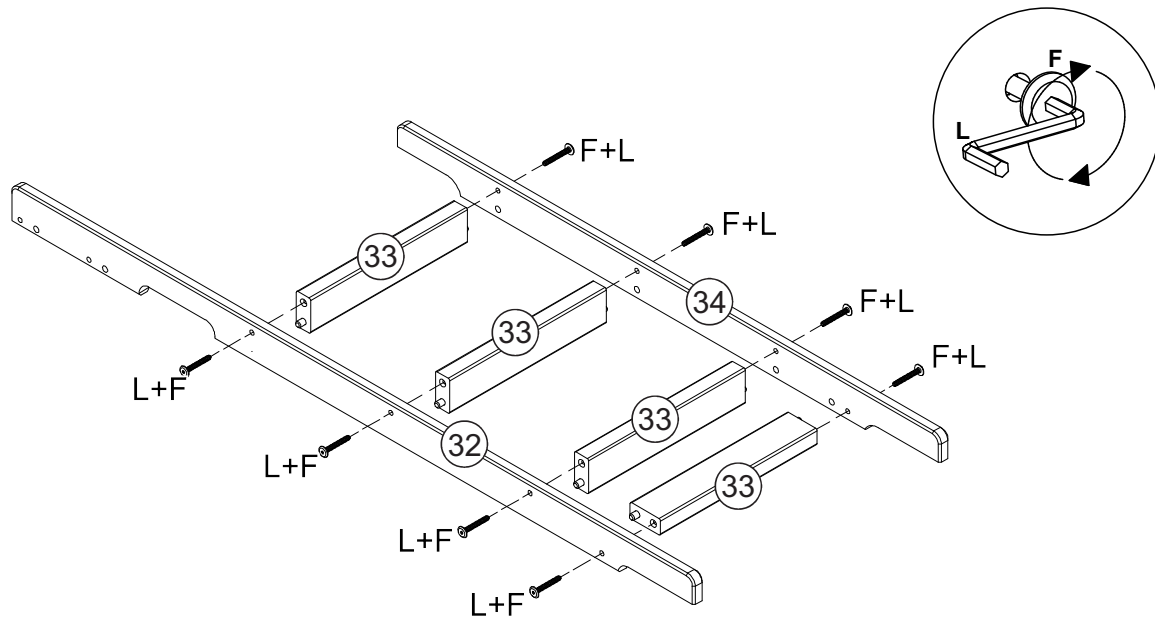


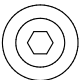

21


ATTENTION 
Option chest left side or right side.



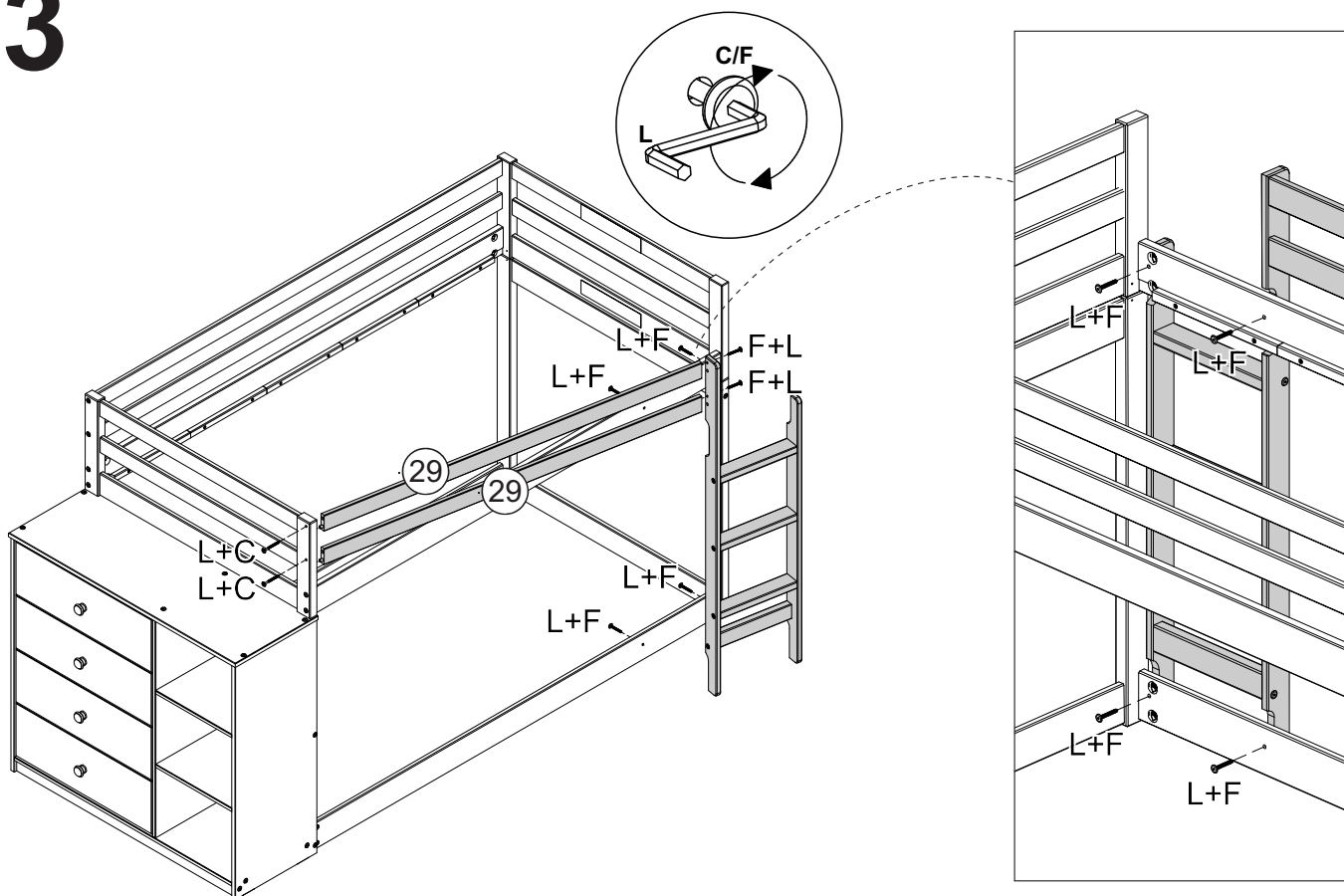
22

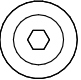
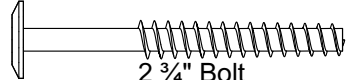


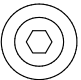

F   Qty **08**
2" Bolt


L  Allen wrench Qty **01**

23

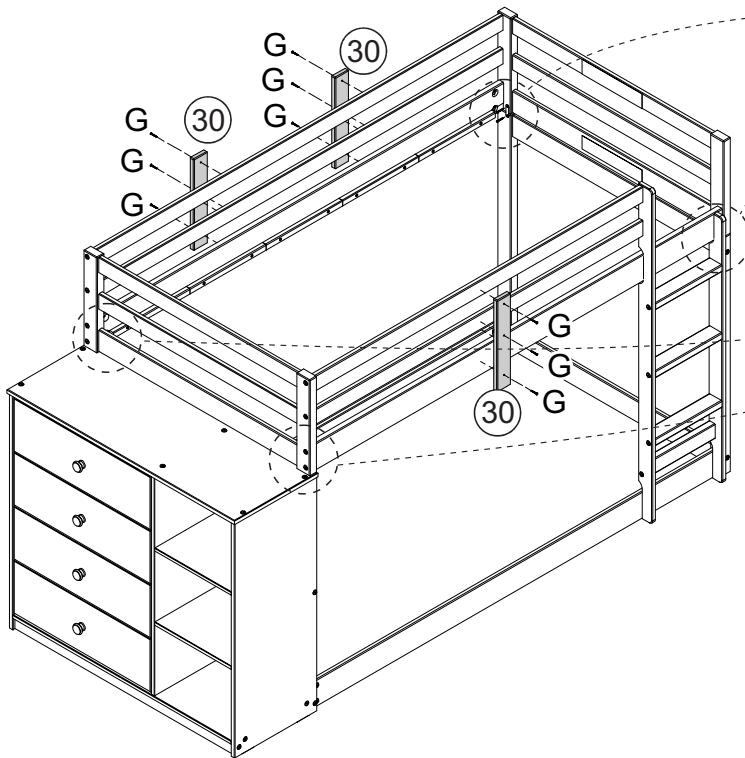


C   Qty **02**
2 3/4" Bolt

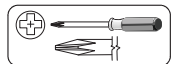
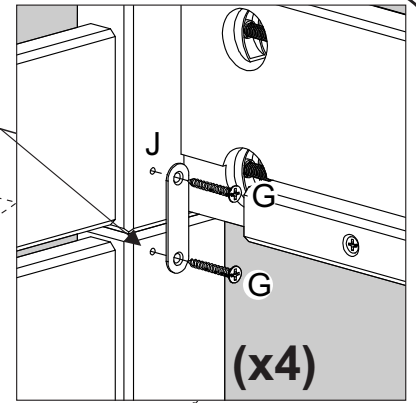
F   Qty **06**
2" Bolt


L  Allen wrench Qty **01**

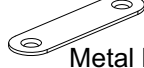
24



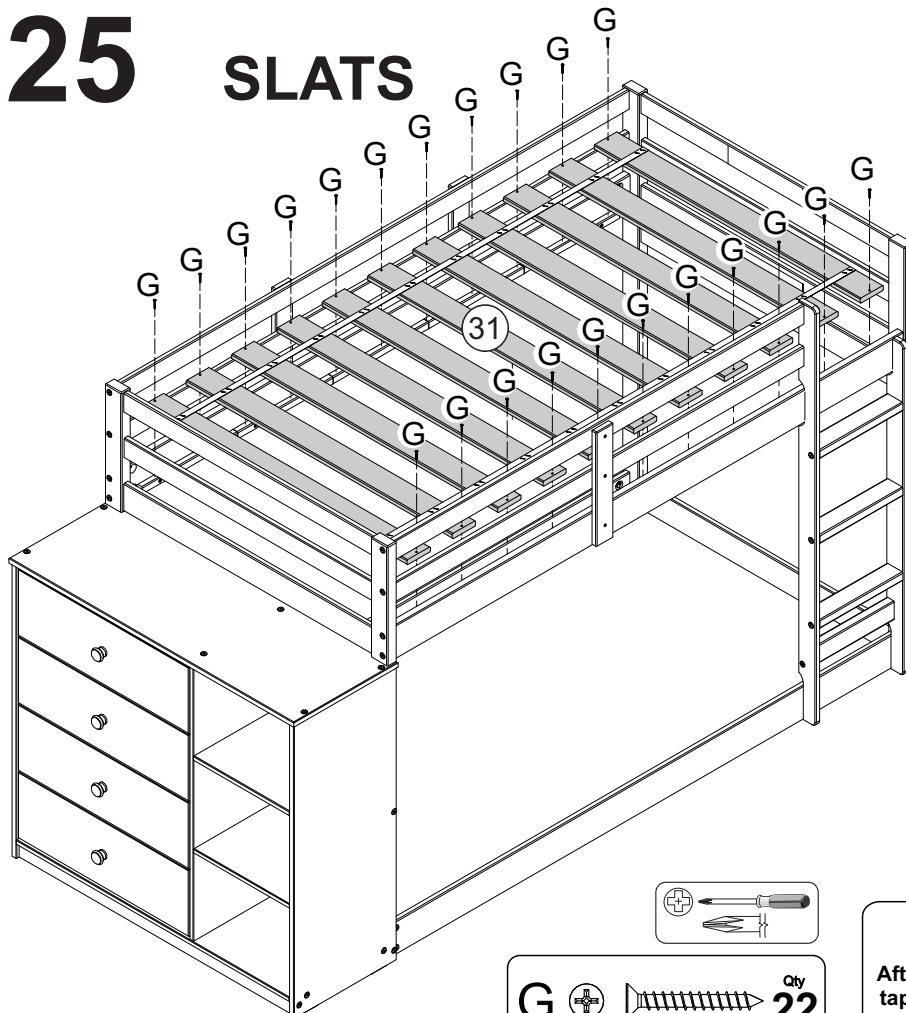
!
PRE-HOLES



G  **1 3/16" Screw** Qty **17**

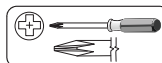
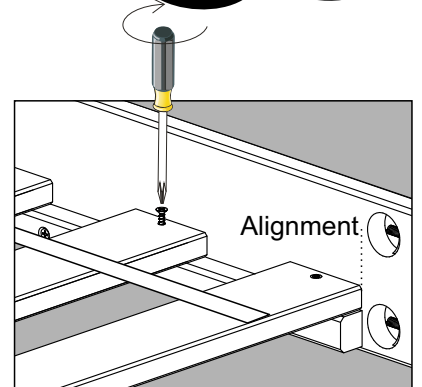
J  **Metal lock** Qty **04**


25 SLATS



!
"INSTALL SLAT KIT WITH SPACER TAPE ON TOP (FACING UP)"

ATTENTION!
There must be at least 5" inches from top surface of mattress to top edge or guardrails.



G  **1 3/16" Screw** Qty **22**

The first slat must be fixed to the end of the side rail bracket.
After fixing the first slat, open the slat set, leaving the tape stretched, until the last slat is aligned at the end of the side rail bracket.

26

