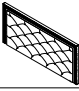
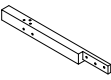
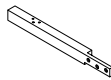
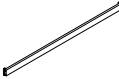


ASSEMBLY INSTRUCTION FOR ACME FURNITURE





MODEL: BD00240CK1

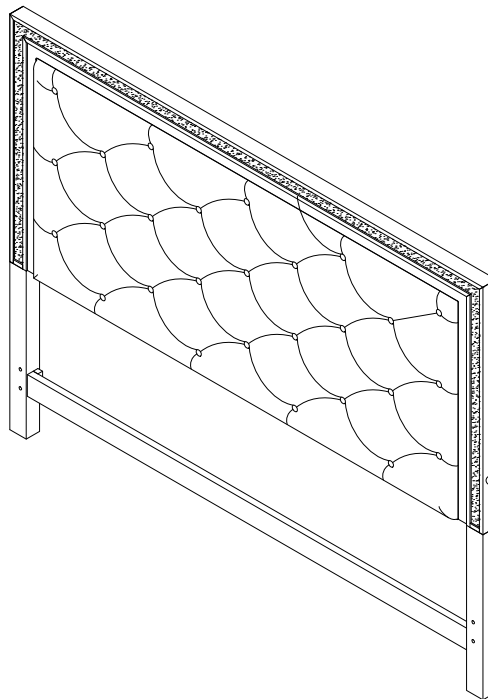
Thank you for purchasing this quality product. Be sure to check all packing material carefully for small parts which may have come loose inside the carton during shipment. Separate, identify and count all parts and metal hardware. Compare with parts list to be sure all parts are present. If any part(s) are missing or damaged, please contact your local furniture dealer. For efficient and speedy service, please indicate the model number and code letter of part(s) needed.

*** Do not fully tighten screws until fully assembled ***

COMPONENT PARTS			
DESCRIPTION	PART NAME		Q'TY (PCS)
①	HEADBOARD PANEL		1
②	LEGS (L)		1
③	LEGS (R)		1
④	CROSS BAR		1

HARDWARE REQUIRED

A		FLAT WASHER	Ø5/16"*19*2mm	8 PCS
B		LOCK WASHER	Ø5/16"*11*1mm	8 PCS
C		BOLT	Ø5/16"*35mm	8 PCS
D		ALLEN KEY	M4	1 PC

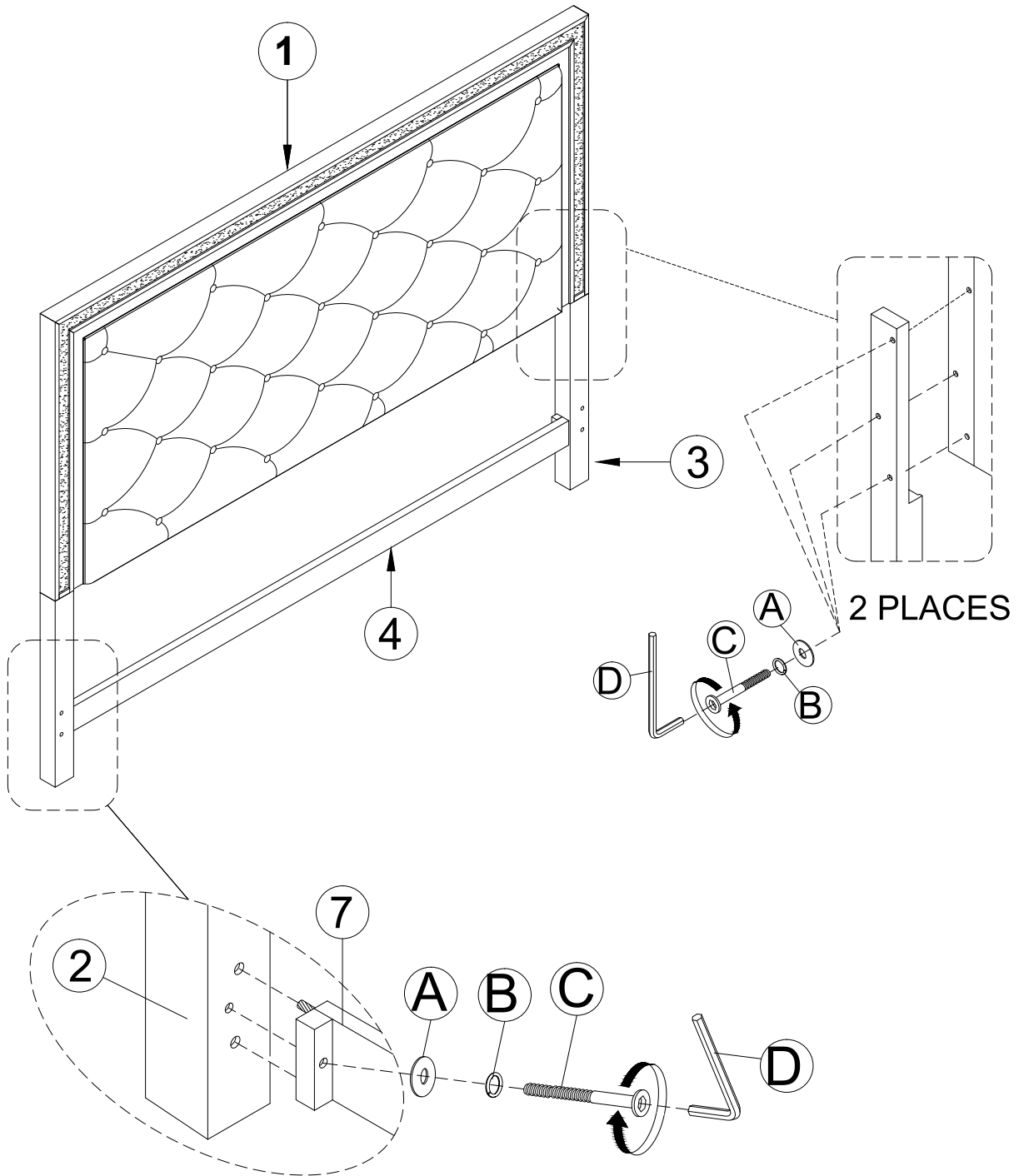


Attention

***Some number parts listed on the instruction sheet may not be in parts bag as they may already be assembled. Carefully check parts and packing materials prior to ordering replacements.

How to assemble:

STEP 1


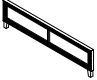



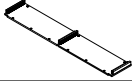
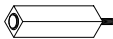



ASSEMBLY INSTRUCTION

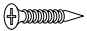

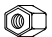






MODEL: BD00240CK1, BD00240CK2, BD00240CK3

Thank you for purchasing this quality product. Be sure to check all packing material carefully for small parts which may have come loose inside the carton during shipment. Separate, identify and count all parts and metal hardware. Compare with parts list to be sure all parts are present. If any part(s) are missing or damaged, please contact your local furniture dealer. For efficient and speedy service, please indicate the model number and code letter of part(s) needed.

*** Do not fully tighten screws until fully assembled ***

COMPONENT PARTS			
DESCRIPTION	PART NAME		Q'TY (PCS)
①	HEADBOARD PANEL		1
②	FOOTBOARD		1
③	RAILS		2
④	SLAT		1 SET (13PCS)
⑤	SLAT SUPPORT		10
⑥	BOTTOM PANLE		1
⑦	SUPPORT LEGS		3
⑭	CROSSBAR		2

HARDWARE REQUIRED

A		P.H SCREW	M4*35mm	26 PCS
B		HALF MOON	Ø5/16"*30*8mm	8 PCS
C		HEX NUT	Ø5/16"*12*6mm	8 PCS
D		BOLT	Ø5/16"*90mm	8 PCS
E		SPANNER WRENCH	M12	1 PC
F		BOLT	Ø1/4"*35mm	6 PCS
G		LOCK WASHER	Ø1/4"*11*1mm	6 PCS
H		FLAT WASHER	Ø1/4"*19*2mm	6 PCS
I		ALLEN KEY	M4	1 PC

Attention

***Some number parts listed on the instruction sheet may not be in parts bag as they may already be assembled. Carefully check parts and packing materials prior to ordering replacements.




ASSEMBLY INSTRUCTION

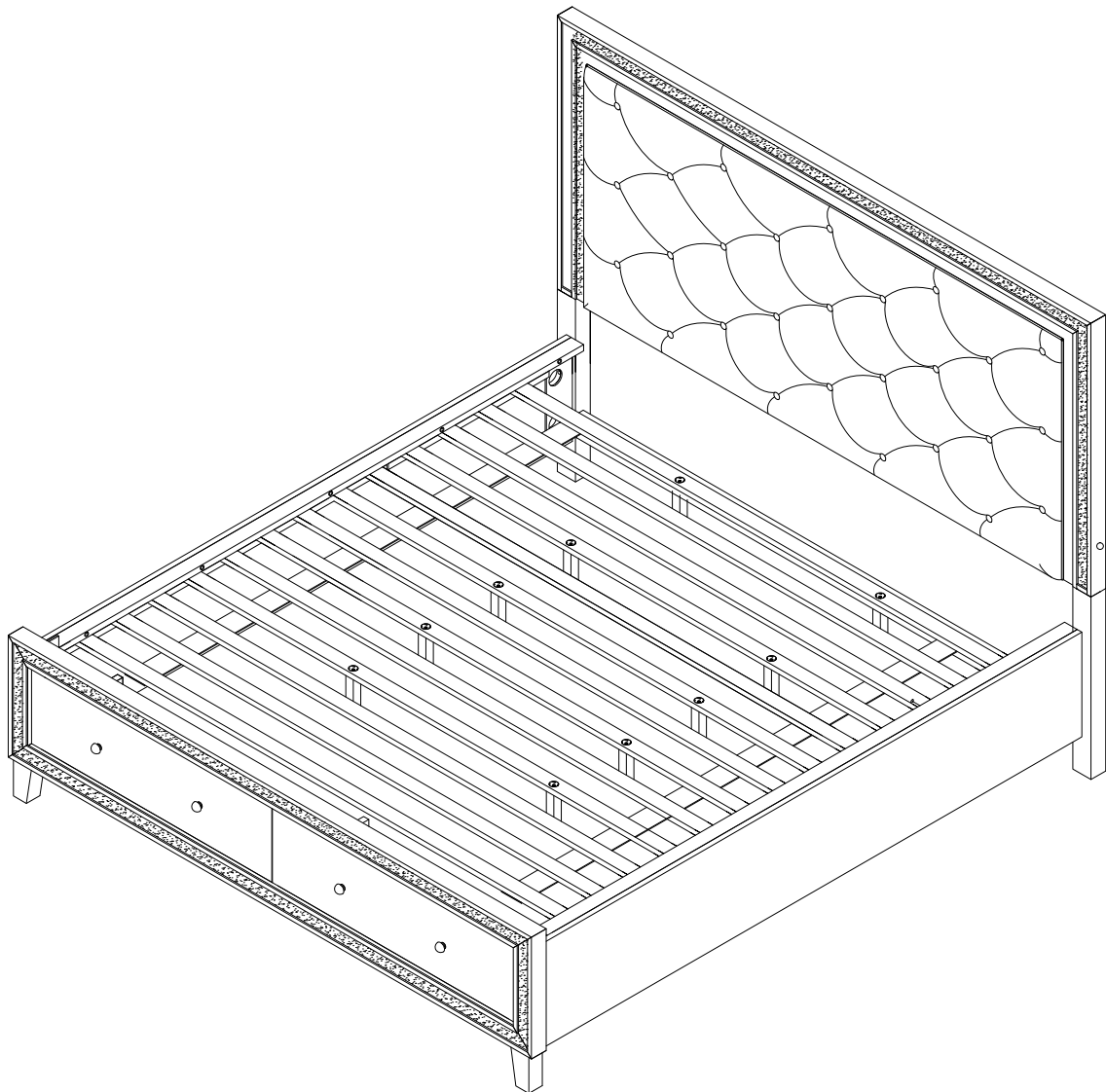
MODEL: BD00240CK1, BD00240CK2, BD00240CK3

Thank you for purchasing this quality product. Be sure to check all packing material carefully for small parts which may have come loose inside the carton during shipment. Separate, identify and count all parts and metal hardware. Compare with parts list to be sure all parts are present. If any part(s) are missing or damaged, please contact your local furniture dealer. For efficient and speedy service, please indicate the model number and code letter of part(s) needed.

***** Do not fully tighten screws until fully assembled *****

HARDWARE REQUIRED

J		BOLT	Ø1/4"*60mm	10 PCS
K		LOCK WASHER	Ø1/4"*11*1mm	10 PCS
L		FLAT WASHER	Ø1/4"*16*2mm	10 PCS



Attention

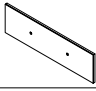
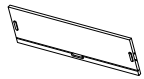
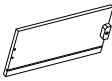
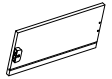

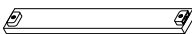
*****Some number parts listed on the instruction sheet may not be in parts bag as they may already be assembled. Carefully check parts and packing materials prior to ordering replacements.**

ASSEMBLY INSTRUCTION FOR ACME FURNITURE





MODEL: BD00240CK1, BD00240CK2, BD00240CK3

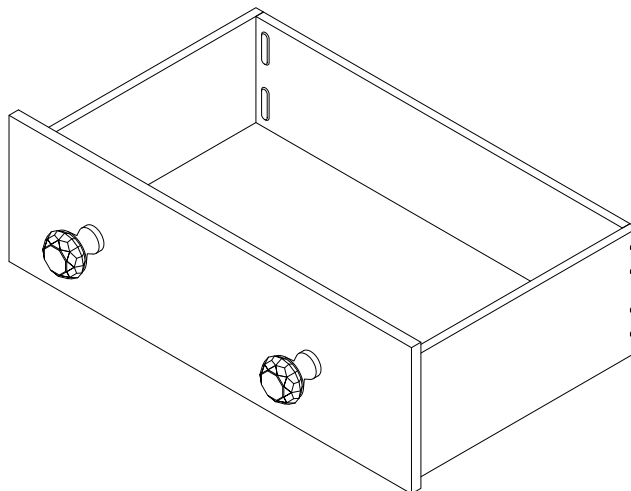
Thank you for purchasing this quality product. Be sure to check all packing material carefully for small parts which may have come loose inside the carton during shipment. Separate, identify and count all parts and metal hardware. Compare with parts list to be sure all parts are present. If any part(s) are missing or damaged, please contact your local furniture dealer. For efficient and speedy service, please indicate the model number and code letter of part(s) needed.

*** Do not fully tighten screws until fully assembled ***

COMPONENT PARTS			
DESCRIPTION	PART NAME		Q'TY (PCS)
⑧	DRAWER FRONT		2
⑨	BACK PANEL OF DRAWER		2
⑩	SIDE PANEL OF DRAWER (LEFT)		2
⑪	SIDE PANEL OF DRAWER (RIGHT)		2
⑫	BOTTOM PANEL OF DRAWER		2
⑬	BOTTOM SUPPORT OF DRAWER		2

HARDWARE REQUIRED

ⓐ		PHILLIPS SCREW	Ø5/32"*25mm	4 PCS
ⓑ		SCREW	M4*35mm	16 PCS
ⓒ		PLASTIC ANCHORS	44*12*10mm	8 PCS
ⓓ		HANDLE		4 PCS

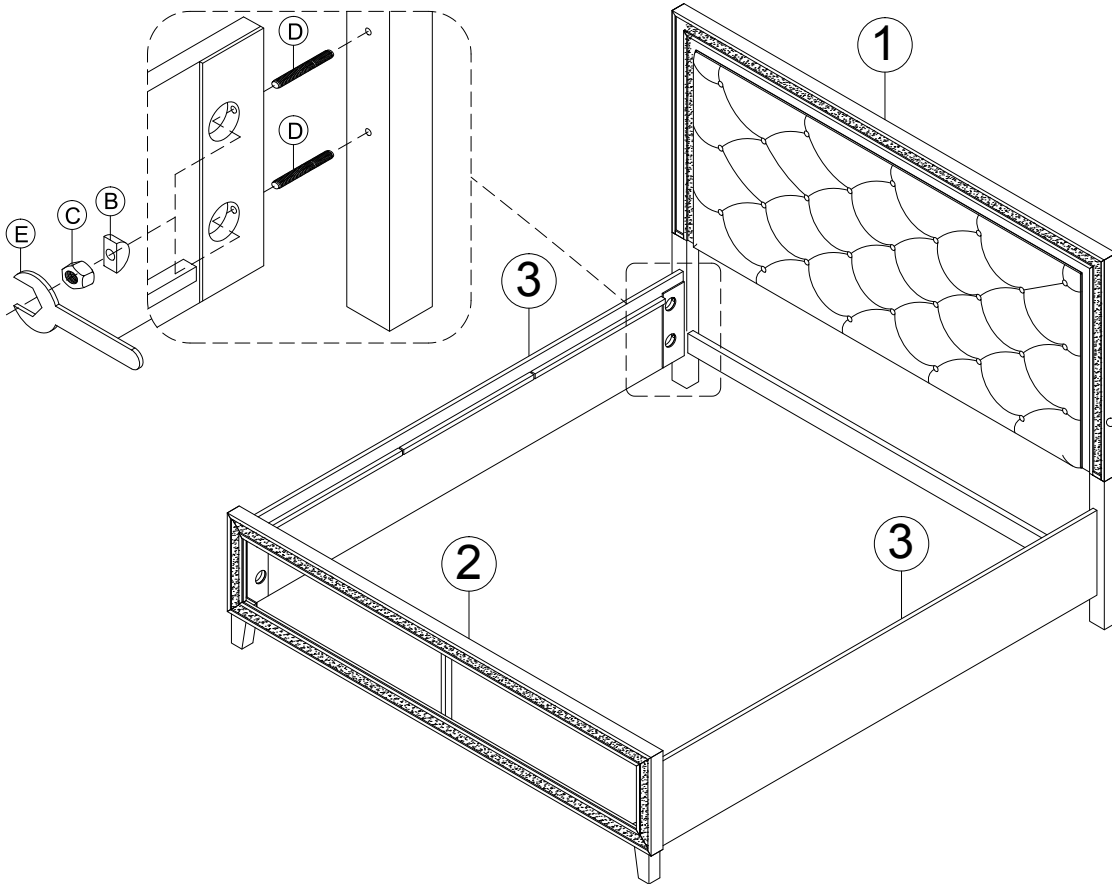


Attention

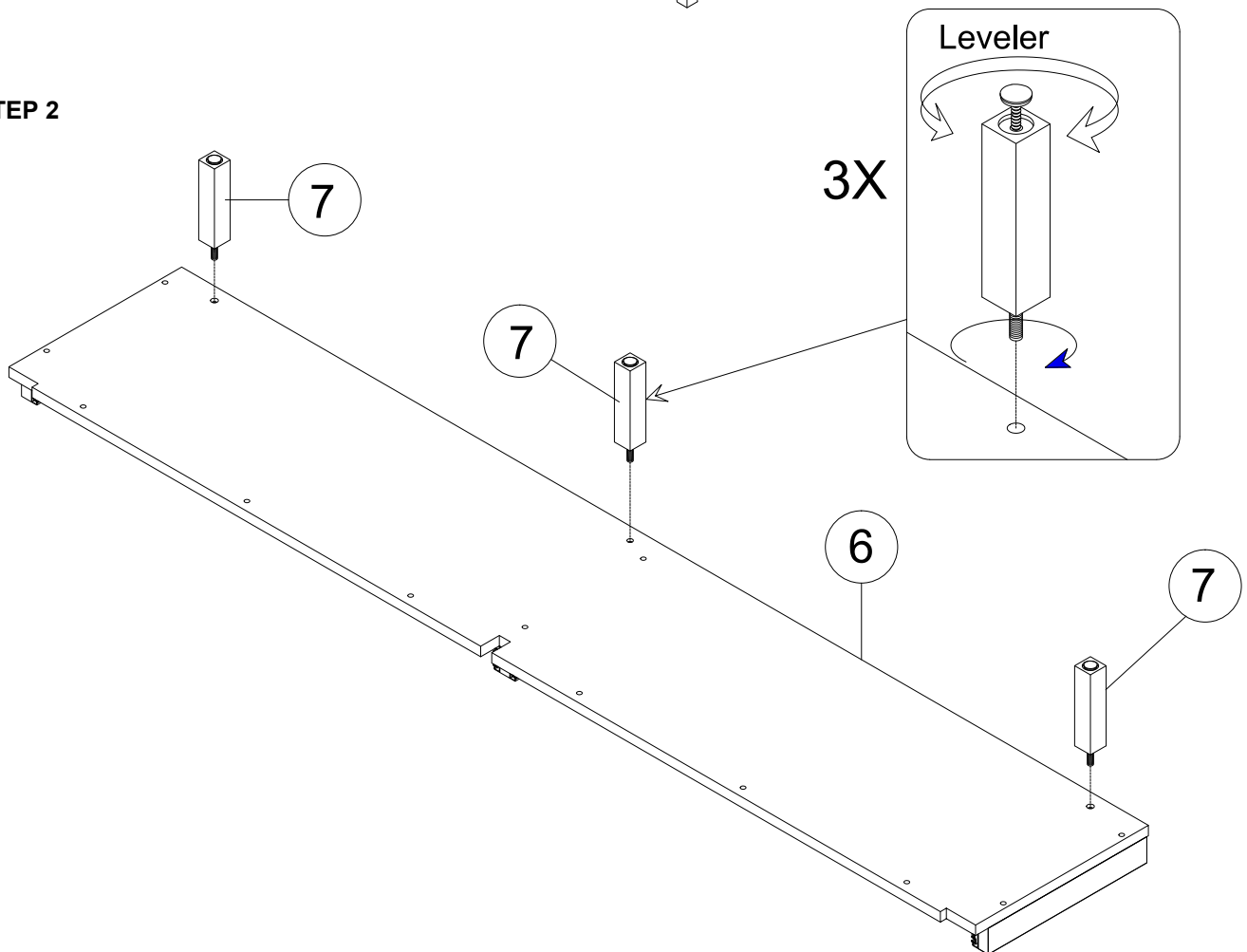
***Some number parts listed on the instruction sheet may not be in parts bag as they may already be assembled. Carefully check parts and packing materials prior to ordering replacements.

How to assemble:

STEP 1

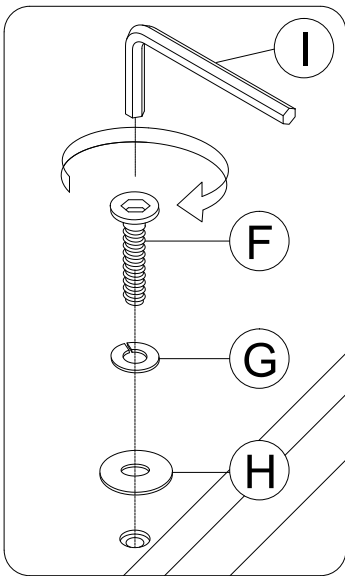
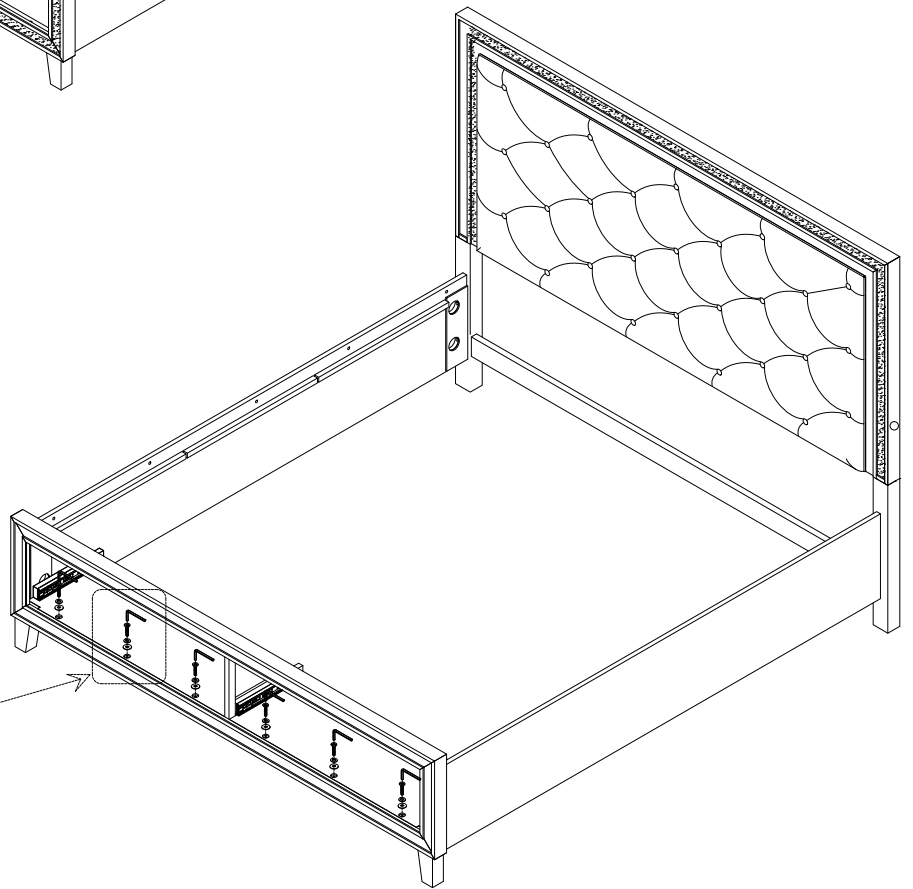
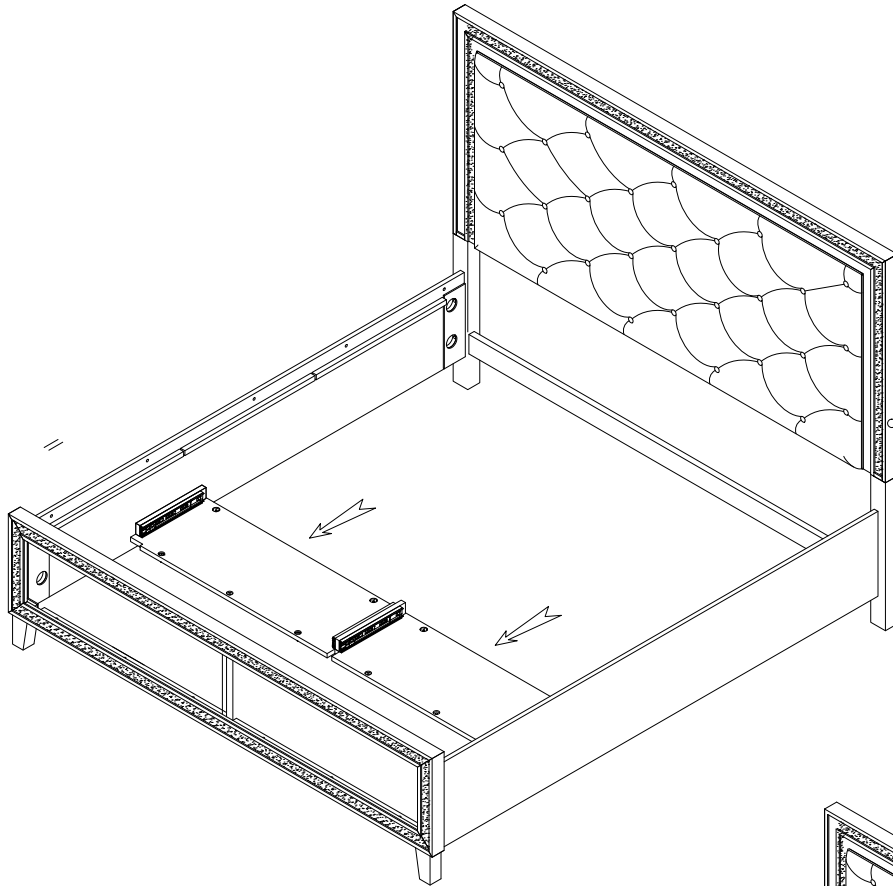


STEP 2



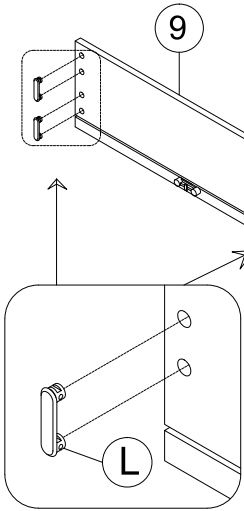
How to assemble:

STEP 3

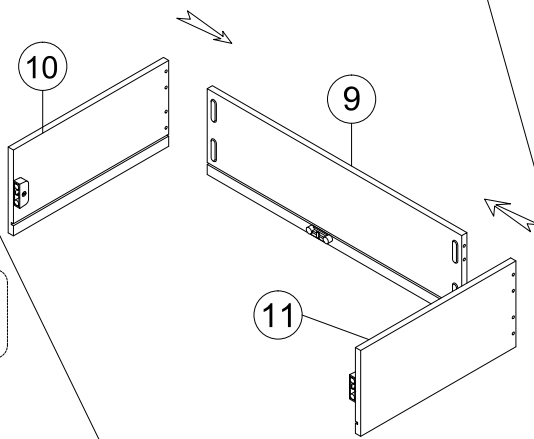


How to assemble:

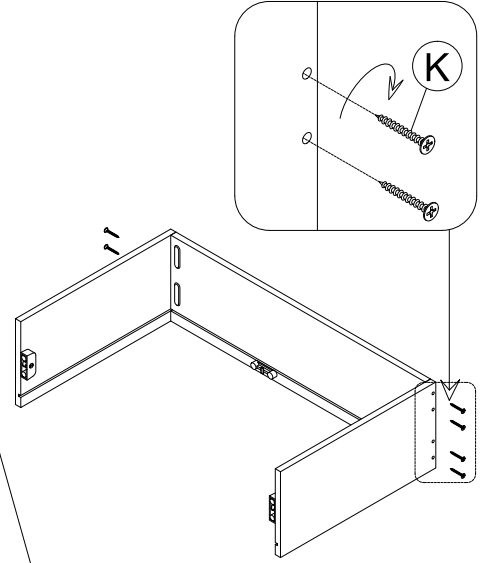
STEP 4



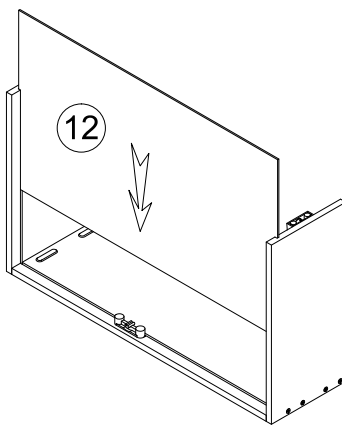
STEP 5



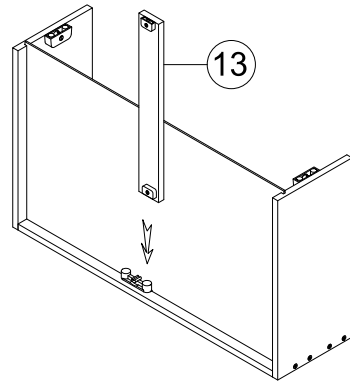
STEP 6



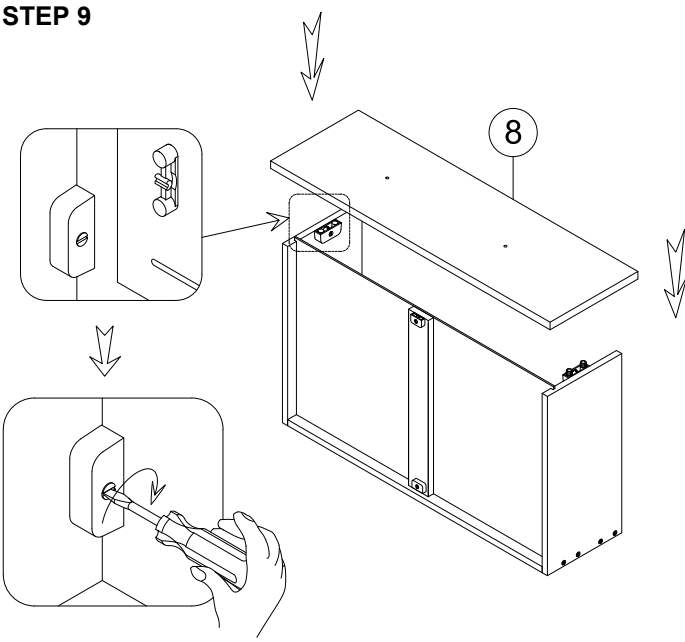
STEP 7



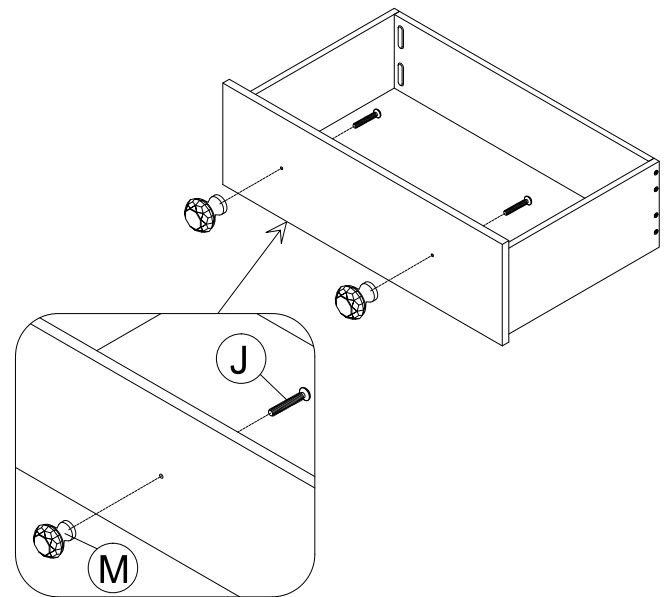
STEP 8



STEP 9

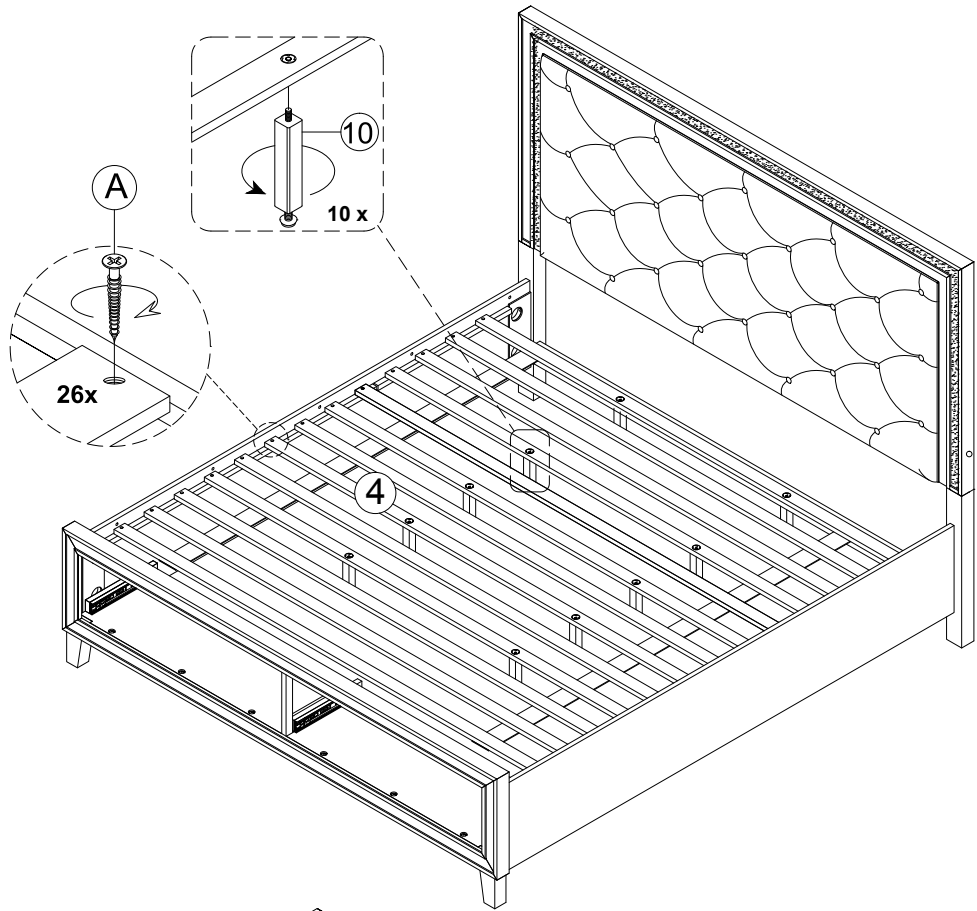


STEP 10

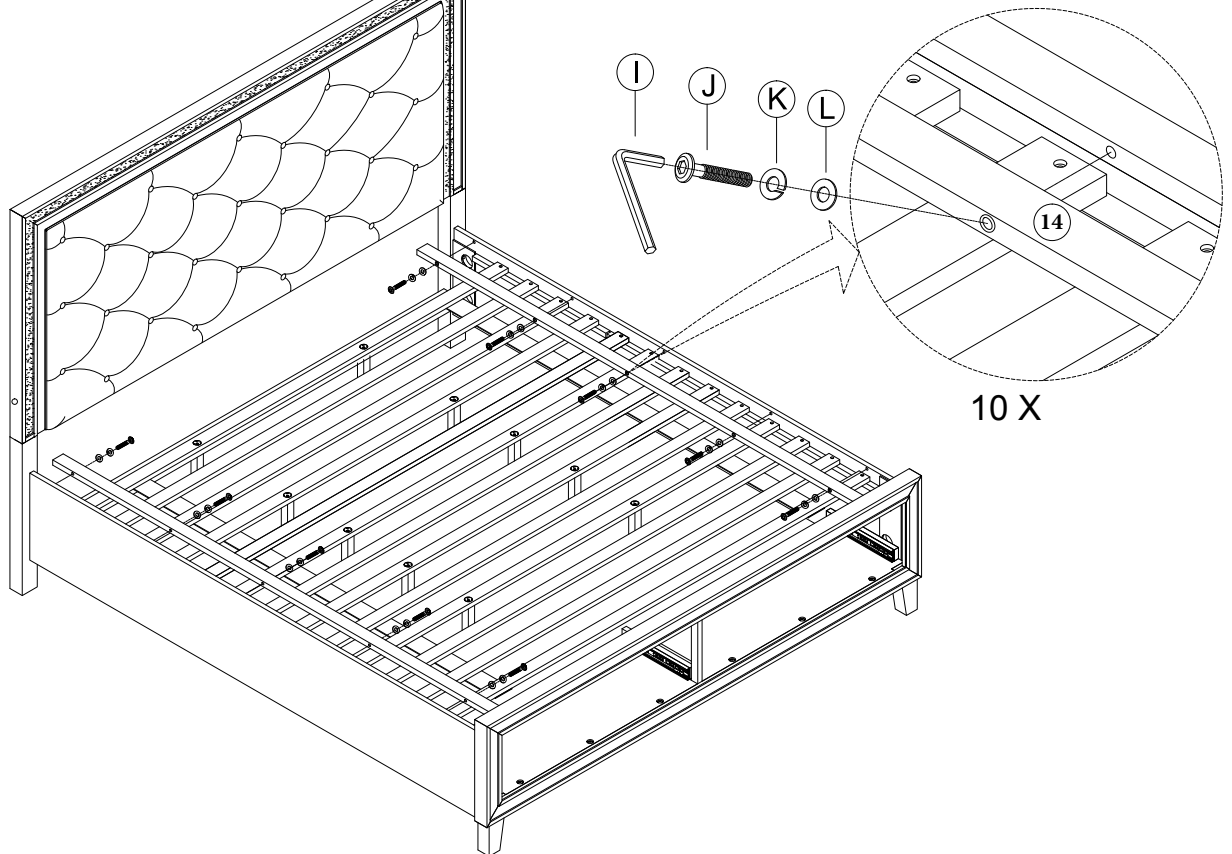


How to assemble:

STEP 11



STEP 12



How to assemble:

STEP 13

