

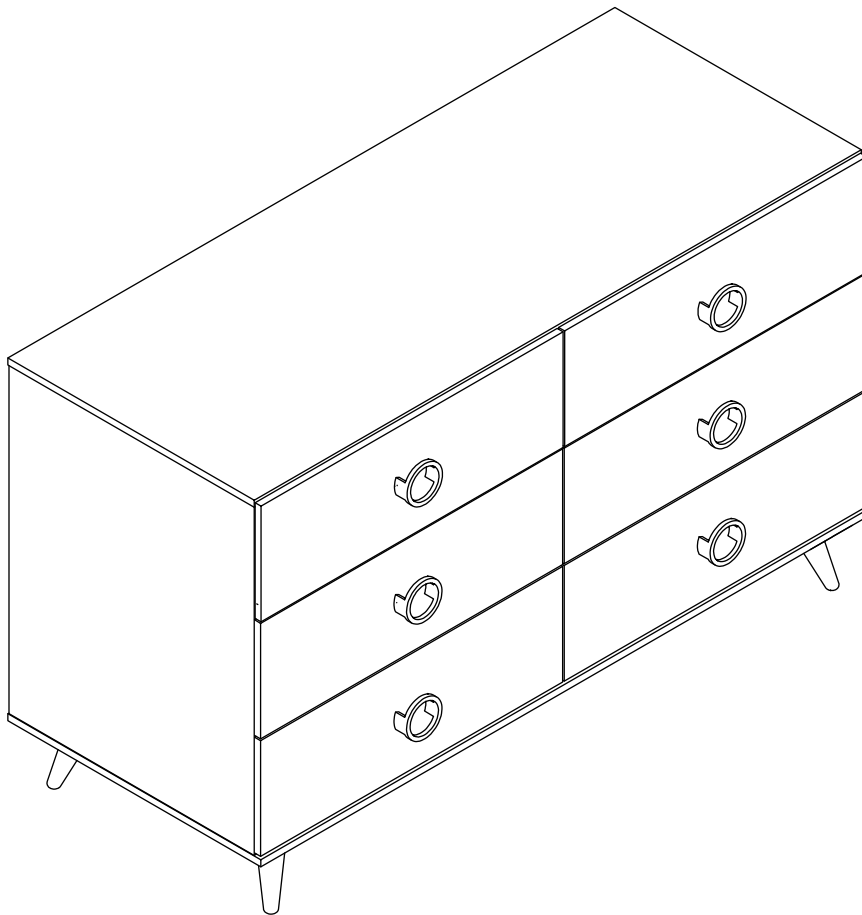
ASSEMBLY INSTRUCTION FOR ACME FURNITURE

MODEL#AC00549

Thank you for purchasing the quality product. Be sure to check all packing material carefully for small parts which may have come loose inside the carton during shipment. Separate, identify and count all parts and metal hardware. Compare with all parts are present. If any part(s) are missing or damaged, please contact your local furniture dealer. For efficient and speedy service, please indicate the model number and code letter of part(s) needed.

*****Do not fully tighten screws until fully assembled.*****

DRESSER



*****Do not throw protective panels away.*****

The protective panels may be damaged during shipping. Please do not return it, it will not affect the assembly of the product. The main purpose of protective boards is to protect the unit. In addition, place these boards in designated locations to increase product stability.

DIMENSIONS

Width - 47.24"
Depth - 20.63"
Height - 28.86"

ASSEMBLY INSTRUCTIONS

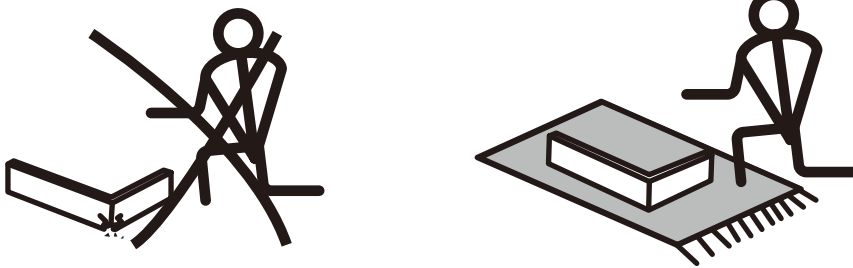
PRECAUTIONS

Because our products may be challenging for beginners, we deeply understand that you may encounter some difficulties. To avoid discouragement, we have provided some useful tips, as follows.



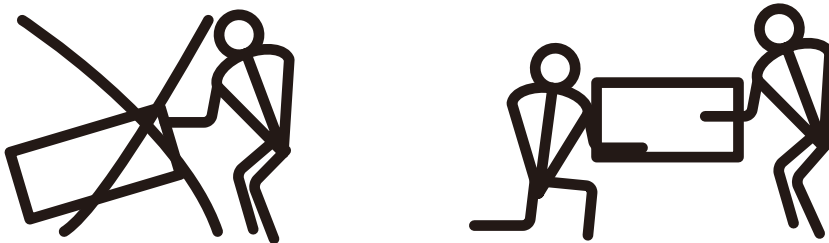
Enough Open Space -

Ensure that there is enough space for movement during assembly.



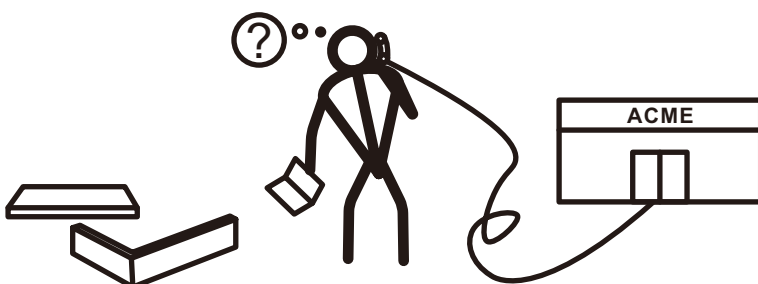
Prevent Scratching -

When assembling furniture, use cardboard, blankets or a carpet areas to prevent scratches.



More than two people -

Always have at least two people to help transport and assemble the product to avoid potential injury and/or damage.



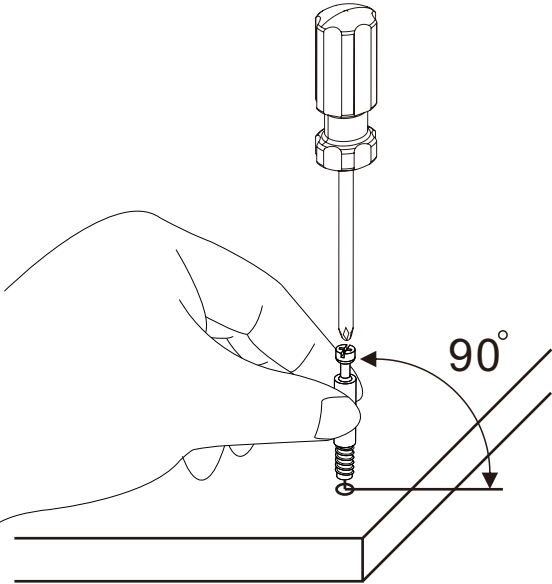
Question -

If there is any problem with the assembly process, you can call us.

ASSEMBLY INSTRUCTIONS

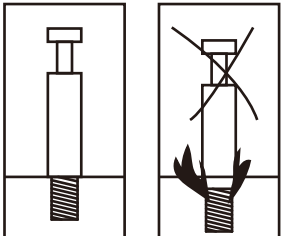
CAM LOCK FASTENER

Every cam bolt must have a cam lock connector to hold the parts together.

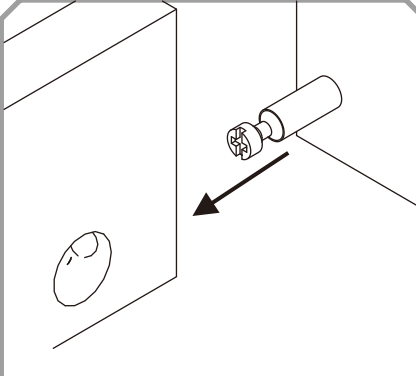


1.

When assembling, the hardware parts and the wooden board must be kept vertical, and the tools must be in full contact with the hardware groove.

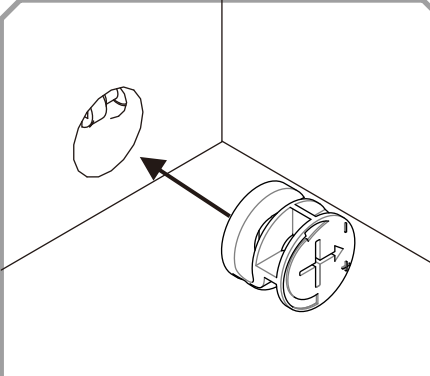


Caution:
Do not use excessive force to avoid overfastening, or even exceed the entire board.



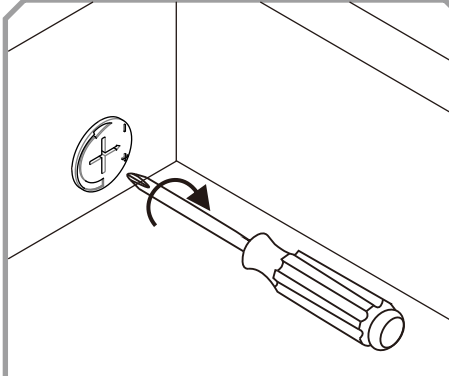
2.

Insert the cam lock pin into the hole of joint panel.



3.

The cam lock nut opening side (or arrow) aligned with the cam lock pin.



4.

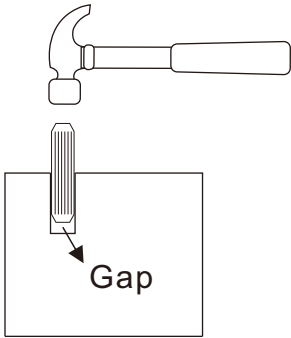
Slowly rotate the cam lock clockwise until it stops rotating.



Caution:
When assembling the cam lock, do not use an electric screwdriver to avoid damage to the board or hardware due to excessive force.

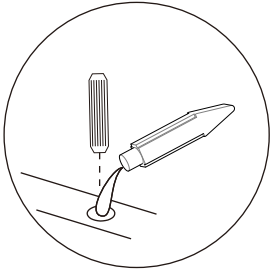
ASSEMBLY INSTRUCTIONS

DOWEL



ATTENTION

Inserting wood dowels is likely to be tight, so wood dowels may not easily touch the bottom and damage the side panels during installation. It is recommended to slight hit the wooden pins with a hammer to eliminate the gap between the wood dowel and board.

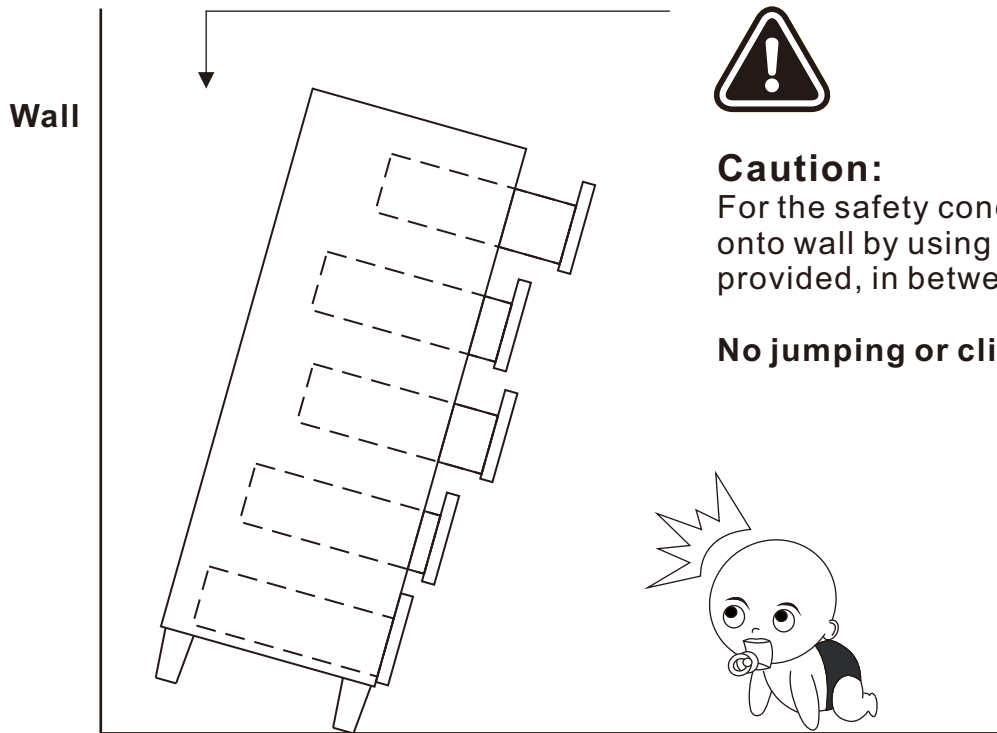


OPTIONAL

It is recommended to use white glue to increase the safety of the product. If you are worried about assembly errors, you can temporarily not add it, and then add it after confirming.

ASSEMBLY INSTRUCTIONS

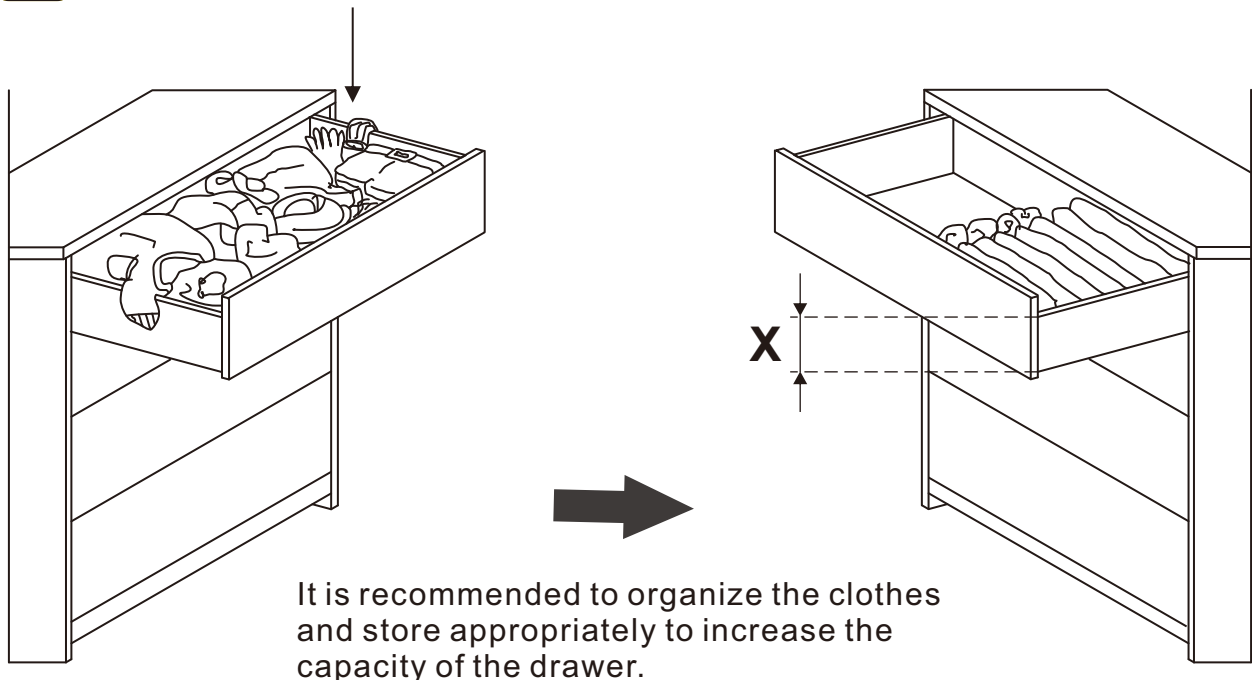
WALL MOUNTED STRAP



SPECIAL ATTENTION

To ensure product durable and smooth operation, suggest not to exceed the height of drawer side (as shown on "X") while putting products.

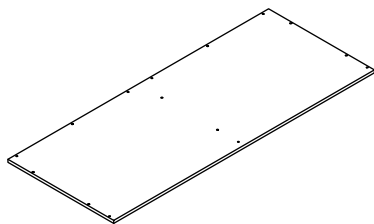
Do not place clothes or goods over 15 pounds.
Overweight might effect drawer operation and cause damage.



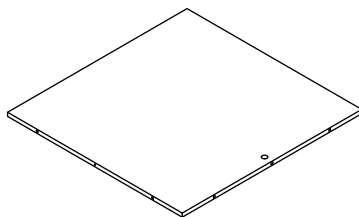
AC00549

PARTS LIST

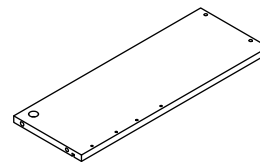
A X1 Top



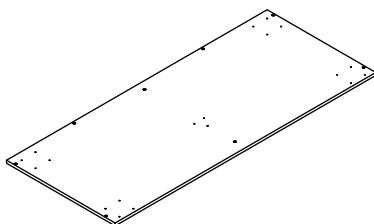
G X1 Right back



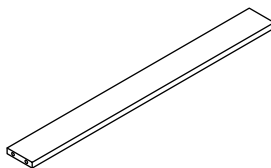
M X6 Drawer Right



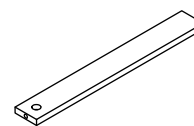
B X1 Bottom



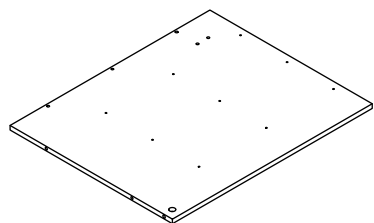
H X2 Support



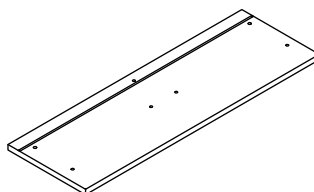
N X6 Drawer support



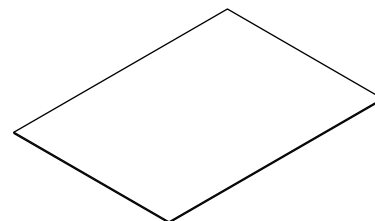
C X1 Left side



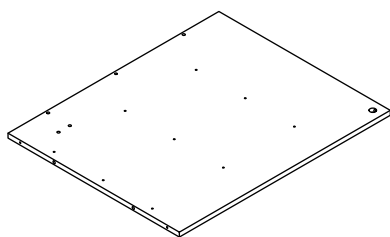
I X3 Left drawer head



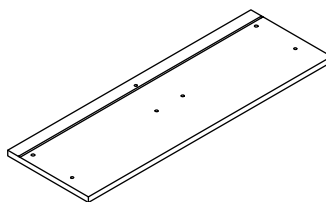
O X6 Drawer bottom



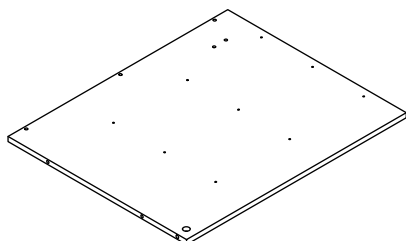
D X1 Right side



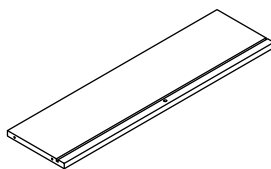
J X3 Right drawer head



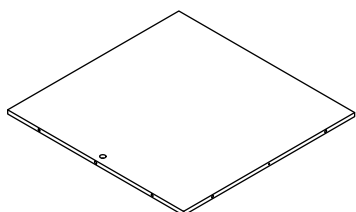
E X1 Middle



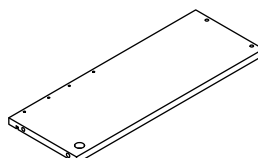
K X6 Drawer back



F X1 Left back

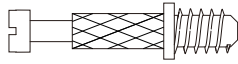


L X6 Drawer Left



HARDWARE LIST

① X27 Cam bolt 32*9mm



② X27 Cam lock 15*10mm



③ X38 Dowel 6*30mm



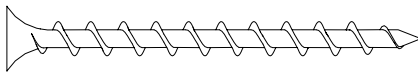
④ X5 Dowel 6*50mm



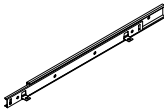
⑤ X30 Wood screw #8*1-1/4"



⑥ X8 Wood screw #8*2"



⑦ X12 Slide rail



⑧ X60 T-head screw 3*10mm



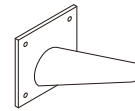
⑨ X6 Handle



⑩ X12 Handle screw #7*3/4"



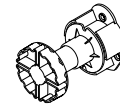
⑪ X4 Foot



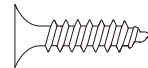
⑫ X16 T-head screw #8*1/2"



⑬ X1 Support foot



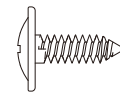
⑭ X3 Wood screw #8*1/2"



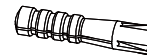
⑮ X1 Wall mounted strap 25*152mm



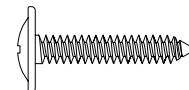
⑯ X1 T-head screw #8*5/8"



⑰ X1 Wall anchor 1-1/8"



⑱ X1 T-head screw #8*1"



⑲ X1 Glue

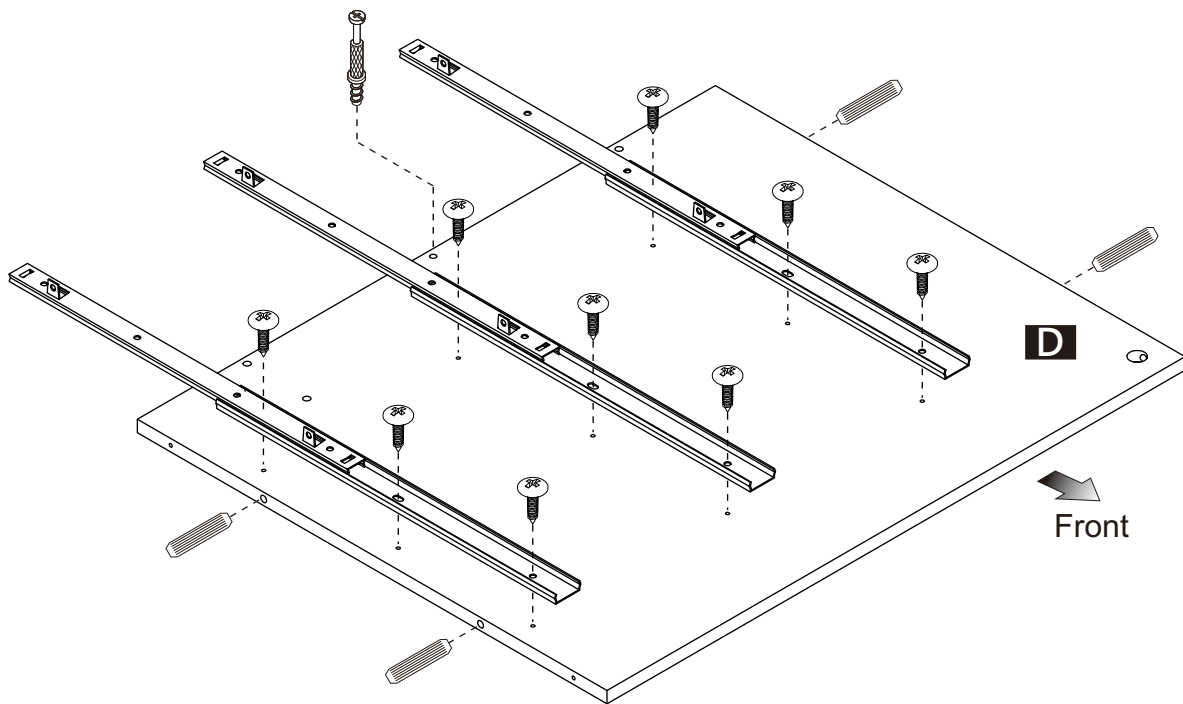
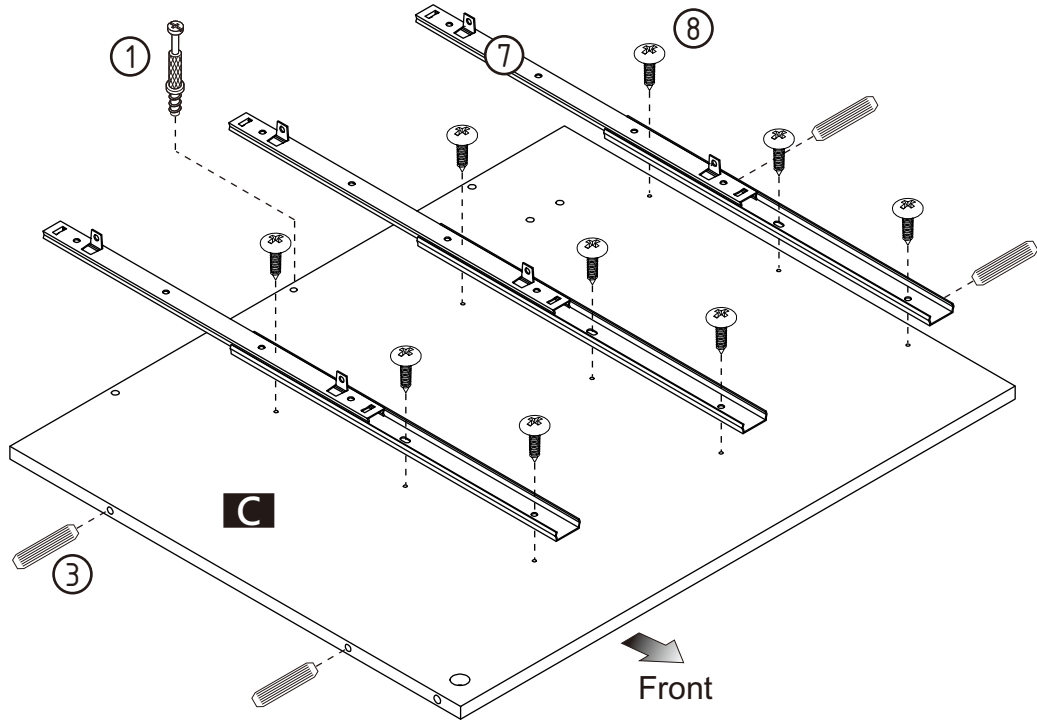


Attention

Some number parts listed on the instruction sheet may not be in parts bag as they may already be assembled. Carefully check parts and packing materials prior to ordering replacements.

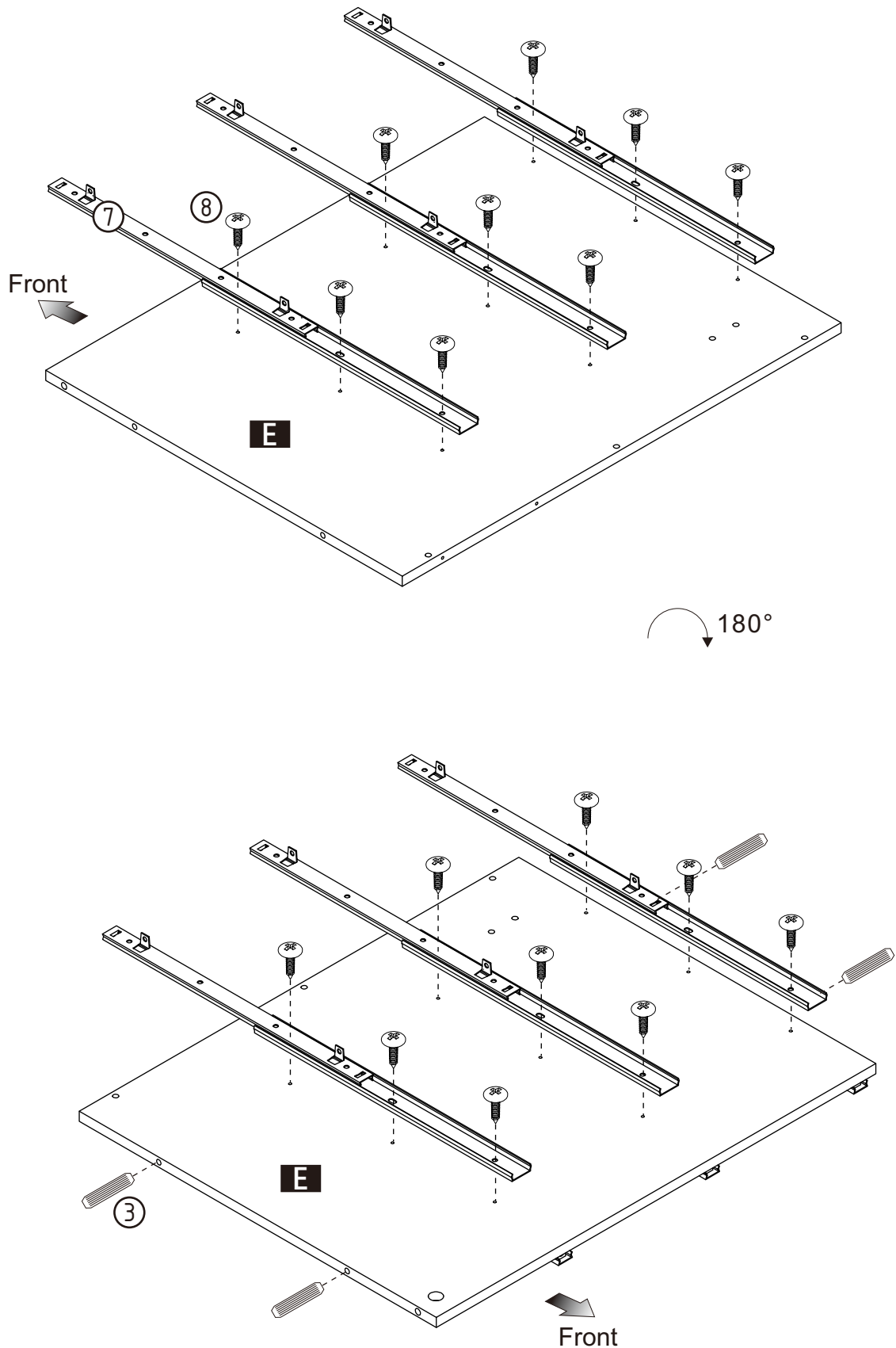
ASSEMBLY INSTRUCTIONS

Step 1. Push runner to see screw holes on the other end.



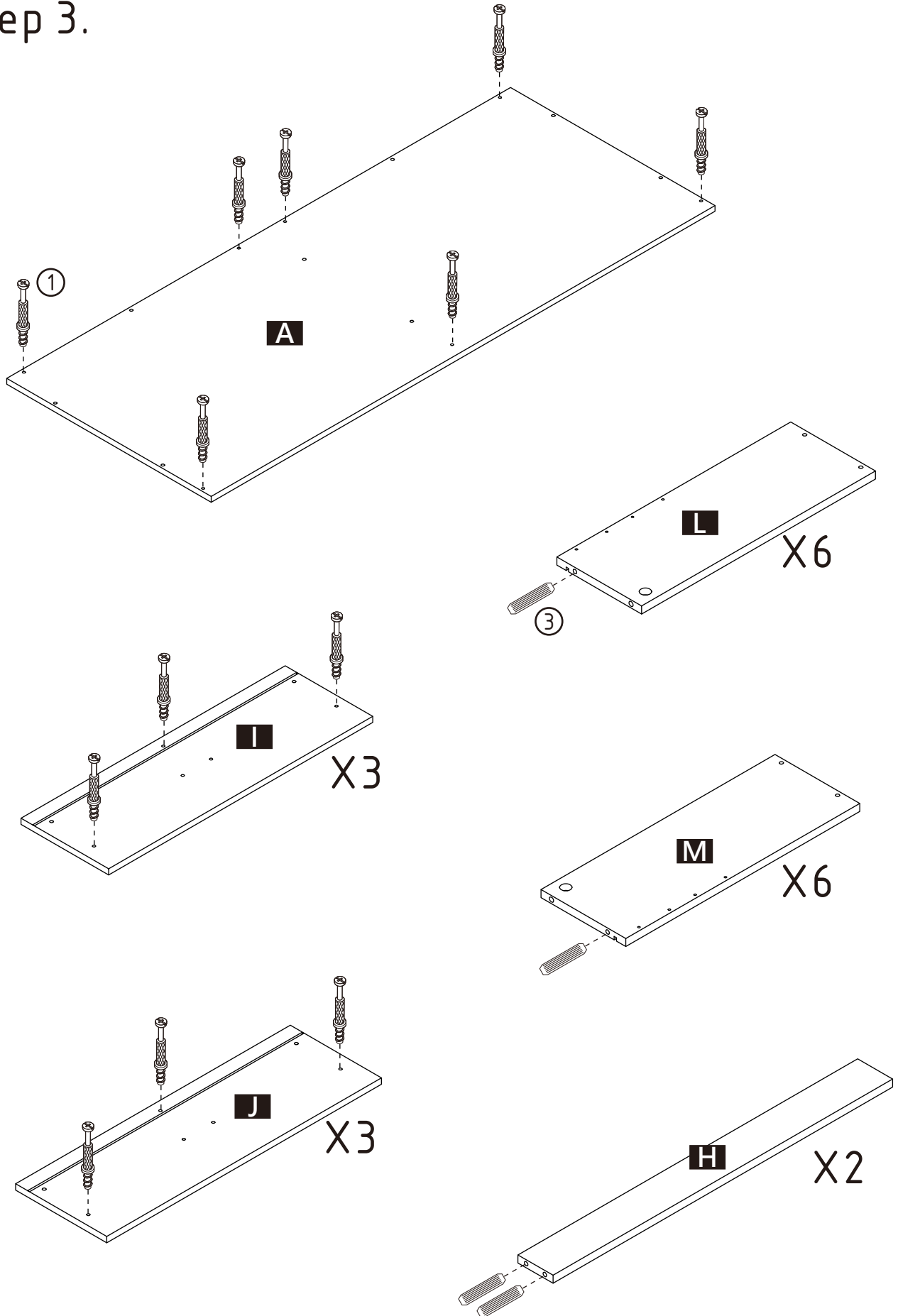
ASSEMBLY INSTRUCTIONS

Step 2. Push runner to see screw holes on the other end.



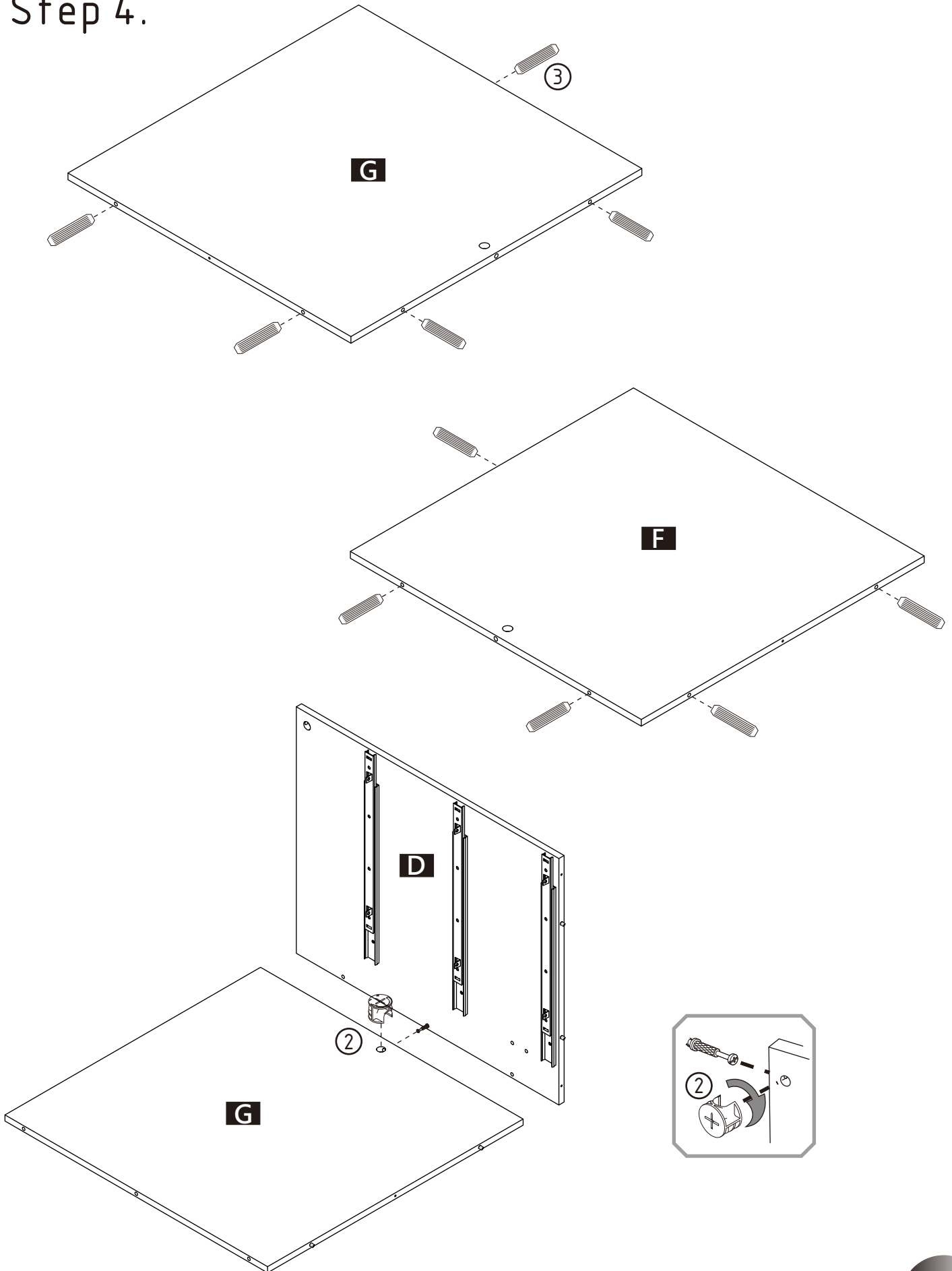
ASSEMBLY INSTRUCTIONS

Step 3.



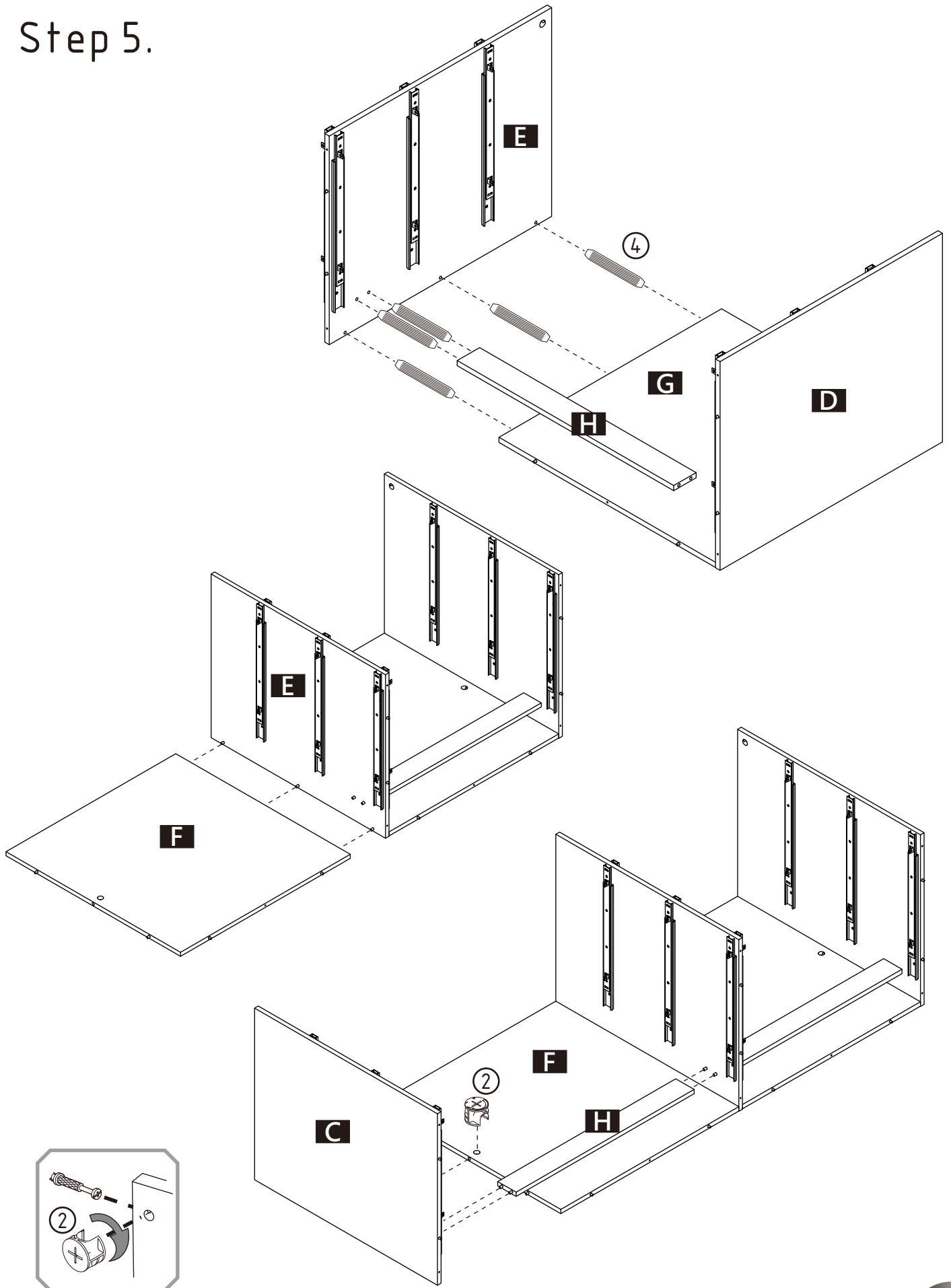
ASSEMBLY INSTRUCTIONS

Step 4.



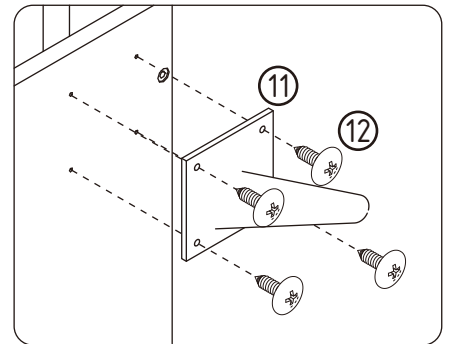
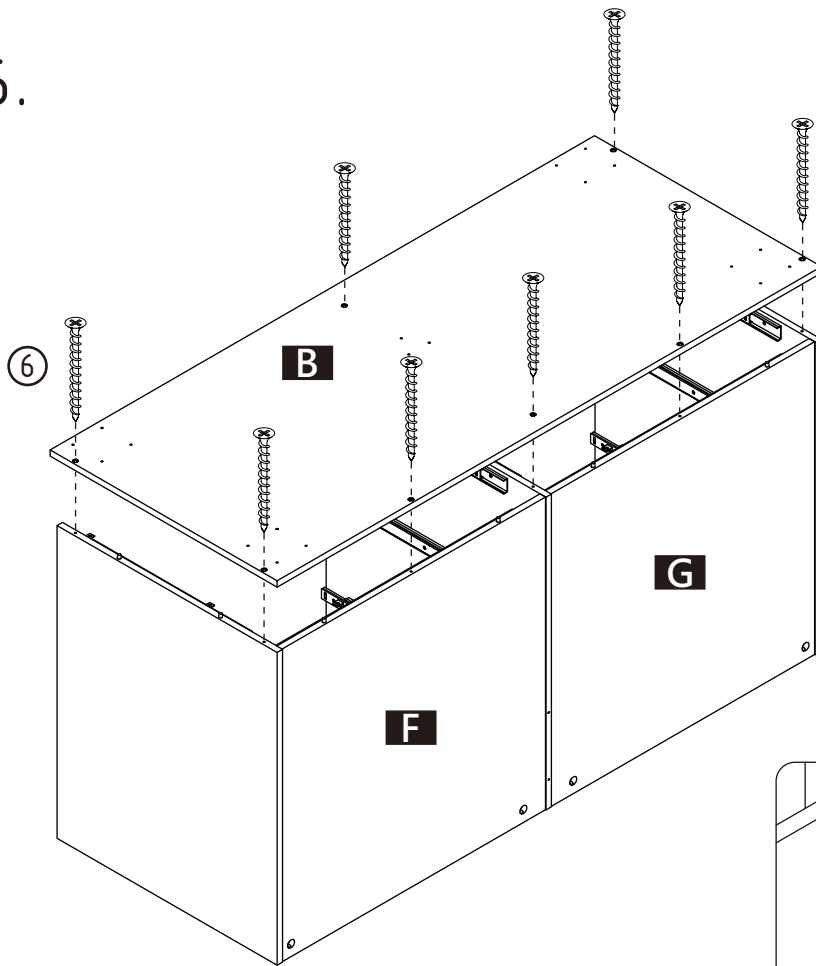
ASSEMBLY INSTRUCTIONS

Step 5.

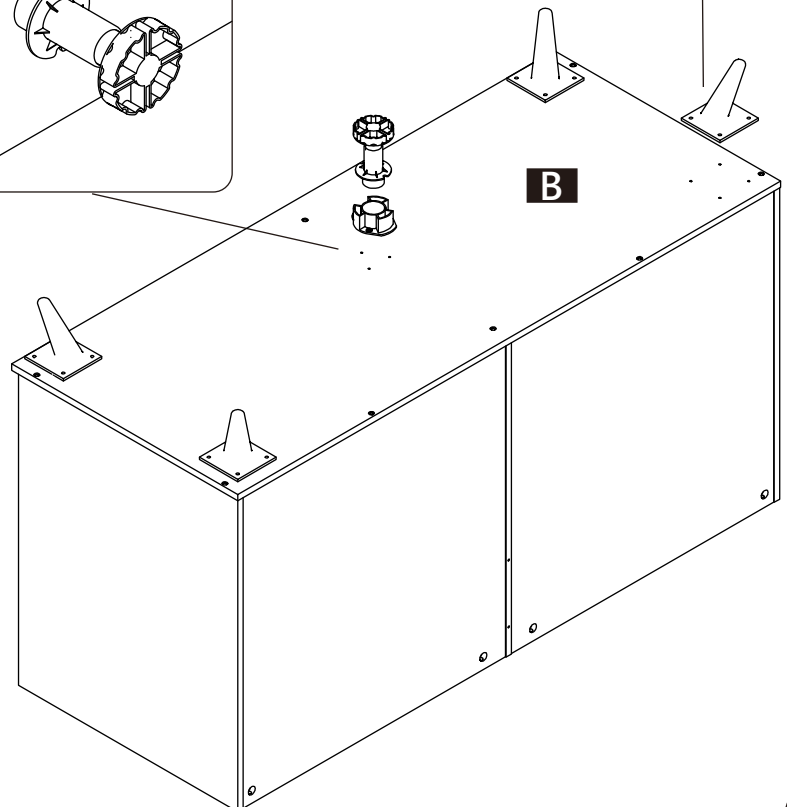
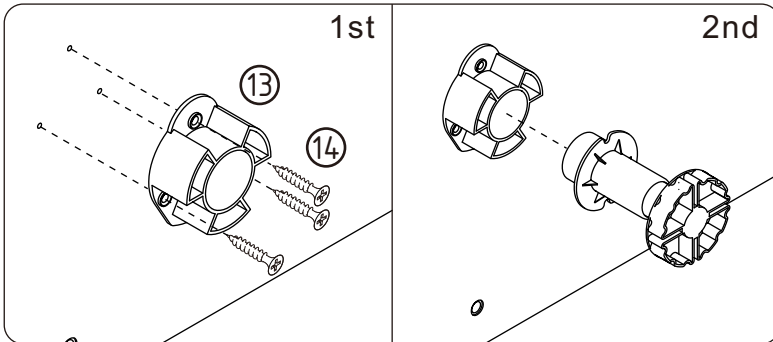


ASSEMBLY INSTRUCTIONS

Step 6.



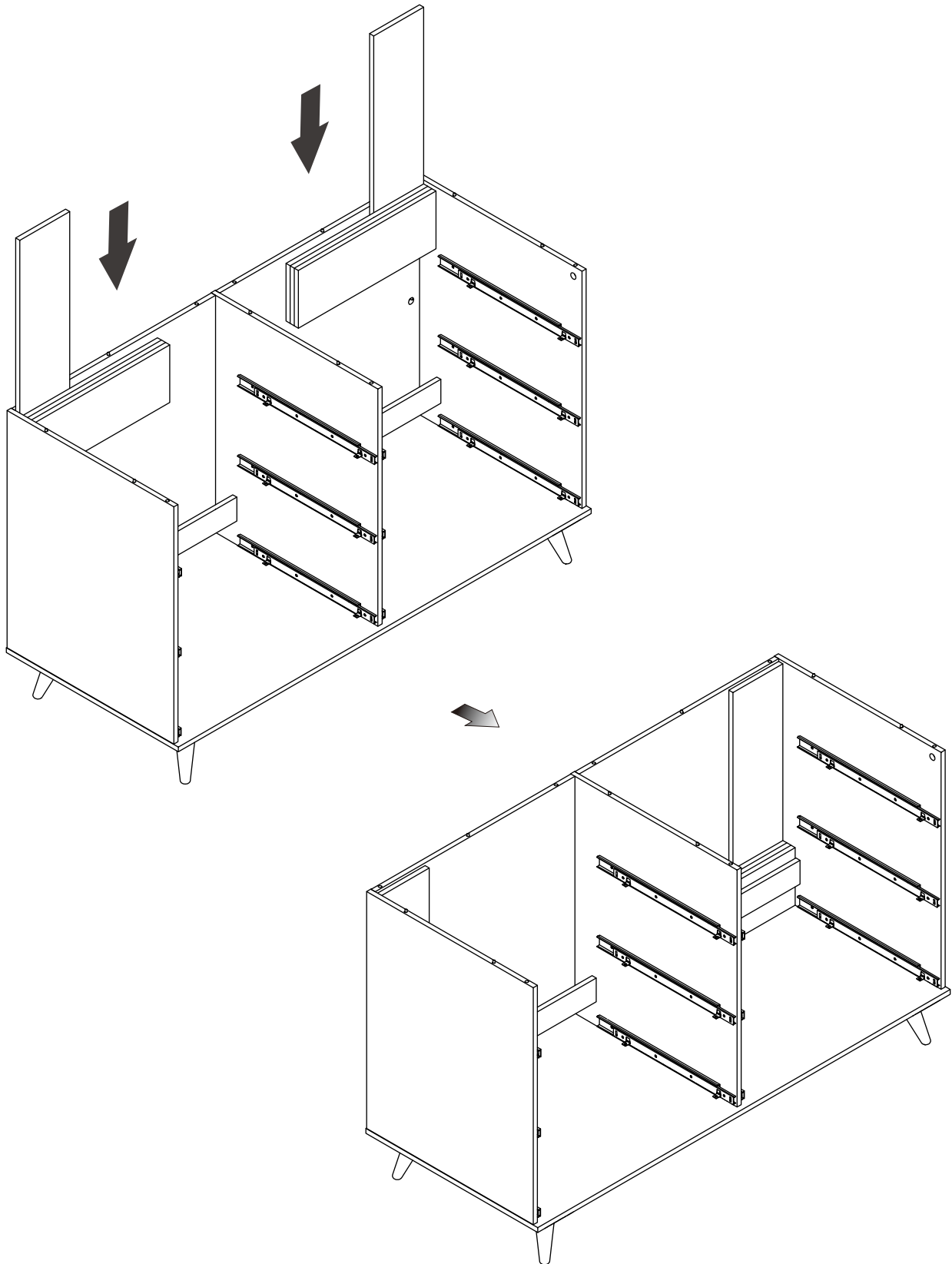
X4



Caution:
Please do not drag or use the corner to lift the product, especially after the cabinet feet are installed. When the product needs to be moved or turned, it must be raised.

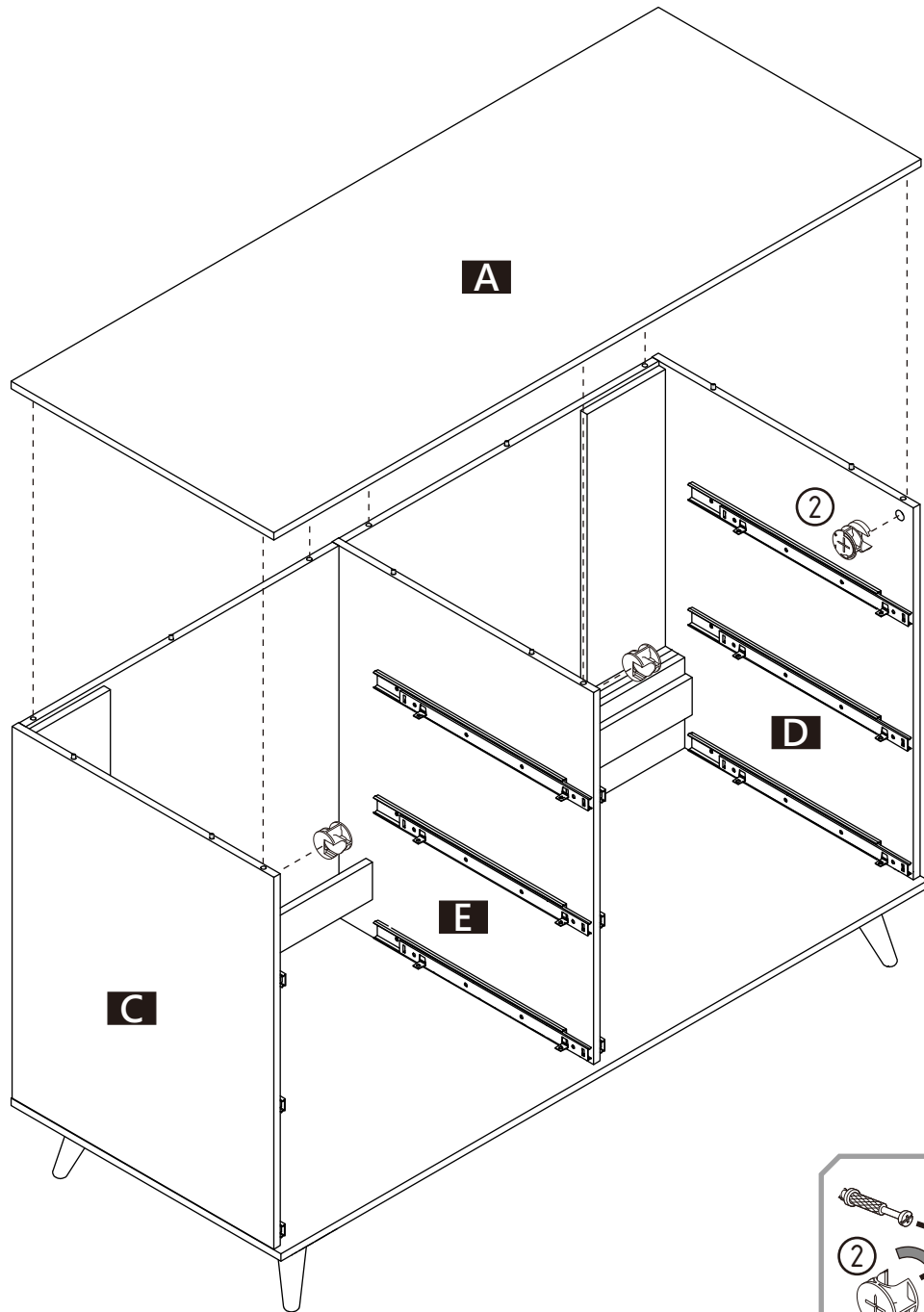
ASSEMBLY INSTRUCTIONS

Step 7. To implement safety requirements and prevent children from being injured by hazards associated with clothing storage units tipping over. Protective panles "MUST" be placed in designated locations to meet equipment stability requirements.



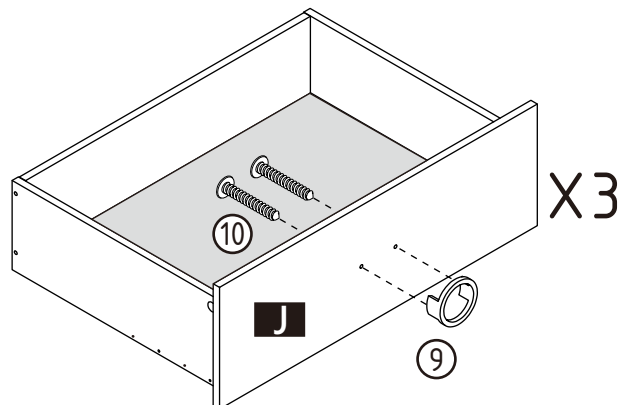
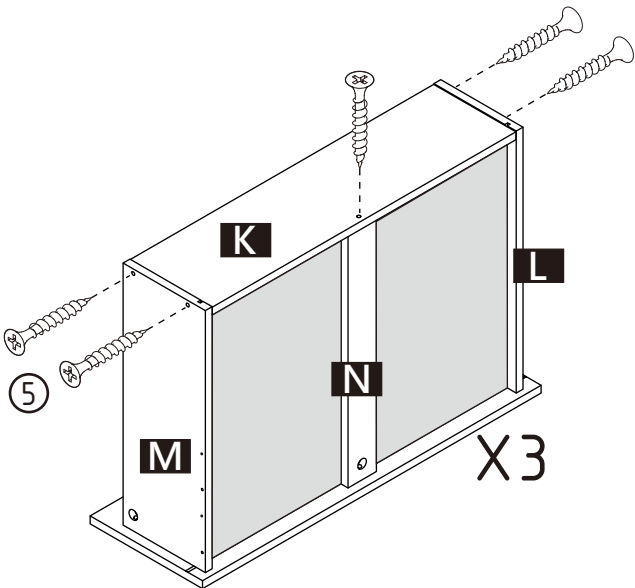
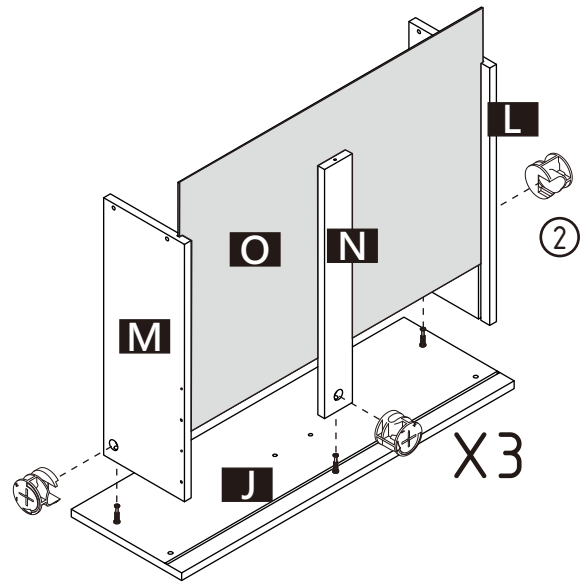
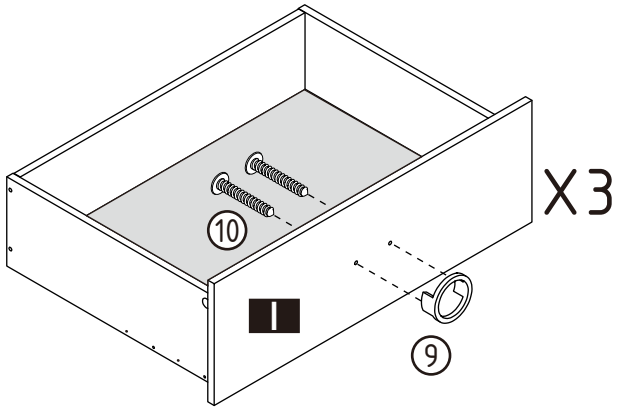
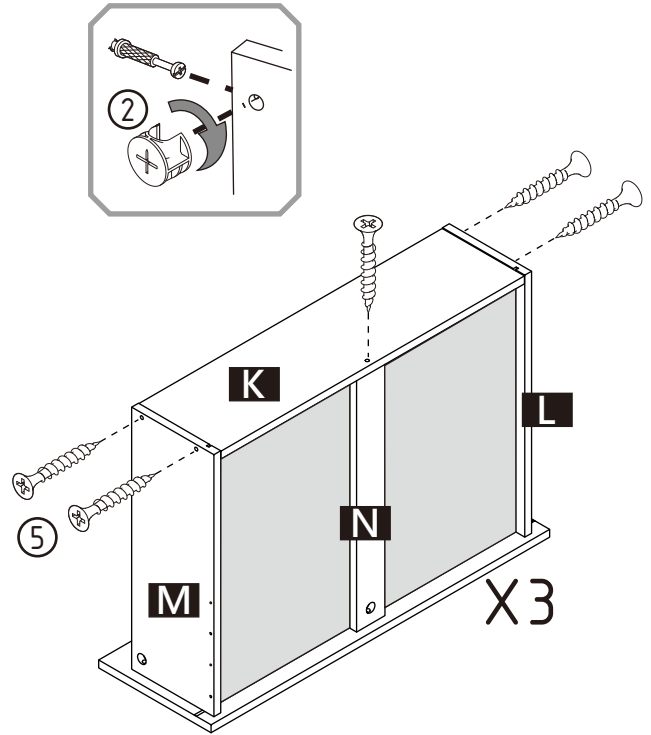
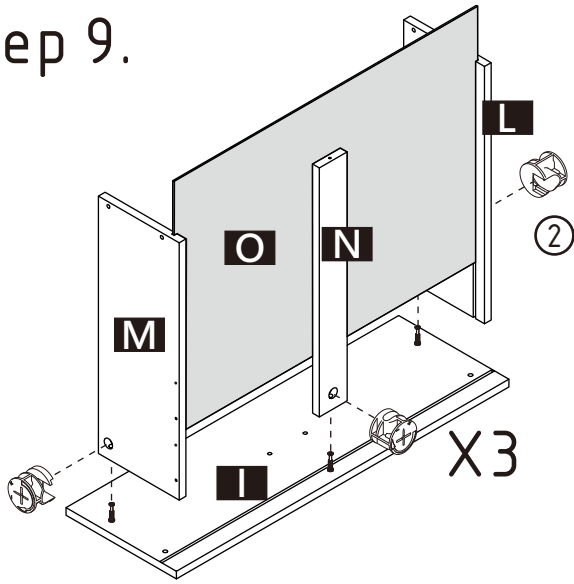
ASSEMBLY INSTRUCTIONS

Step 8.



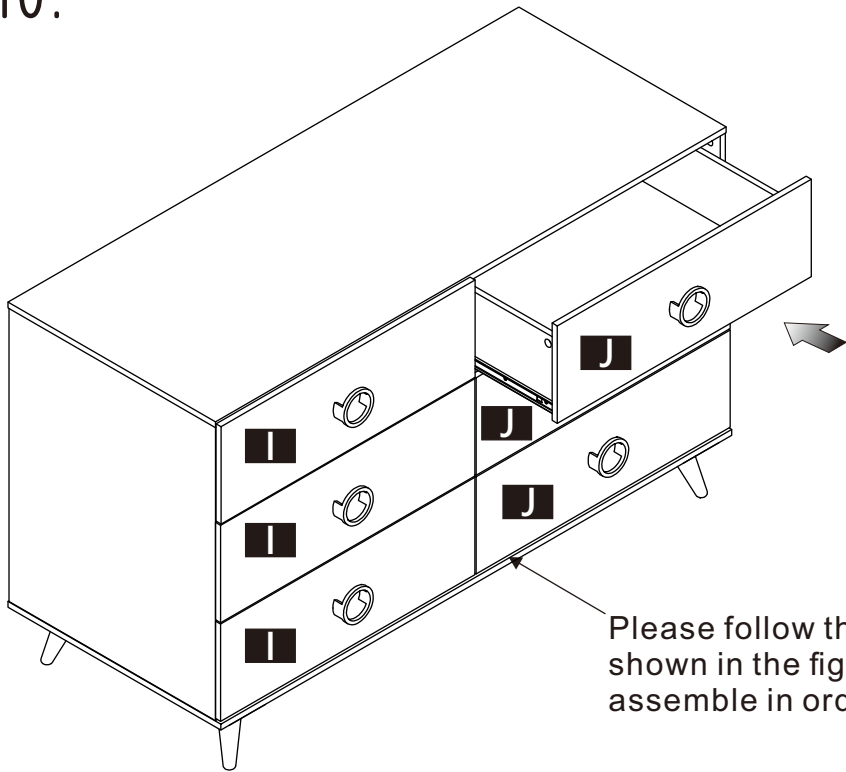
ASSEMBLY INSTRUCTIONS

Step 9.



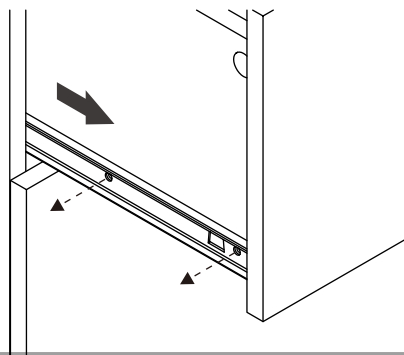
ASSEMBLY INSTRUCTIONS

Step 10.



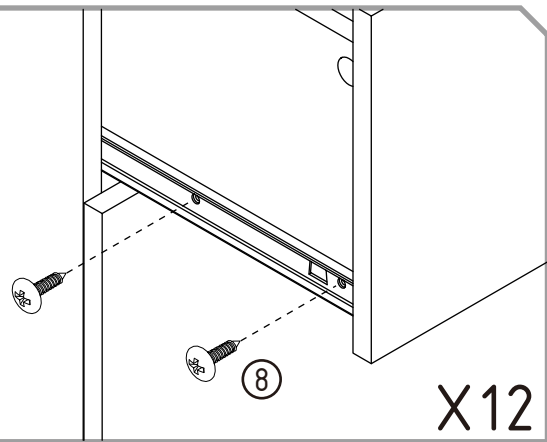
****For safety, please lock the slide rail at the front to prevent tipping.****

1.



Extend the two outer slides of the runners so that they could align with the sides of the drawer. Make sure the pre-drilled holes from the drawer align with the screw holes of the outer slides.

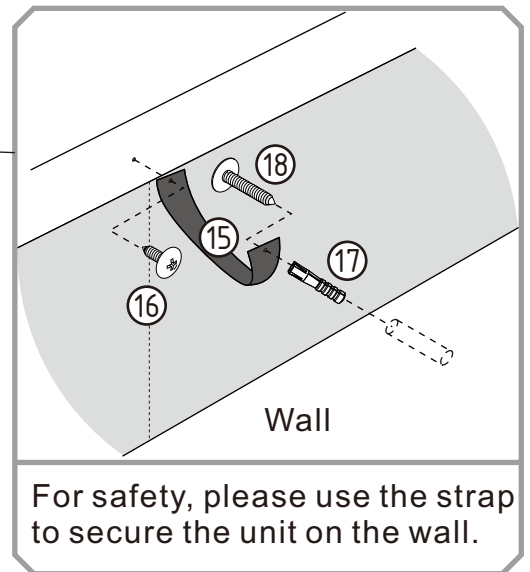
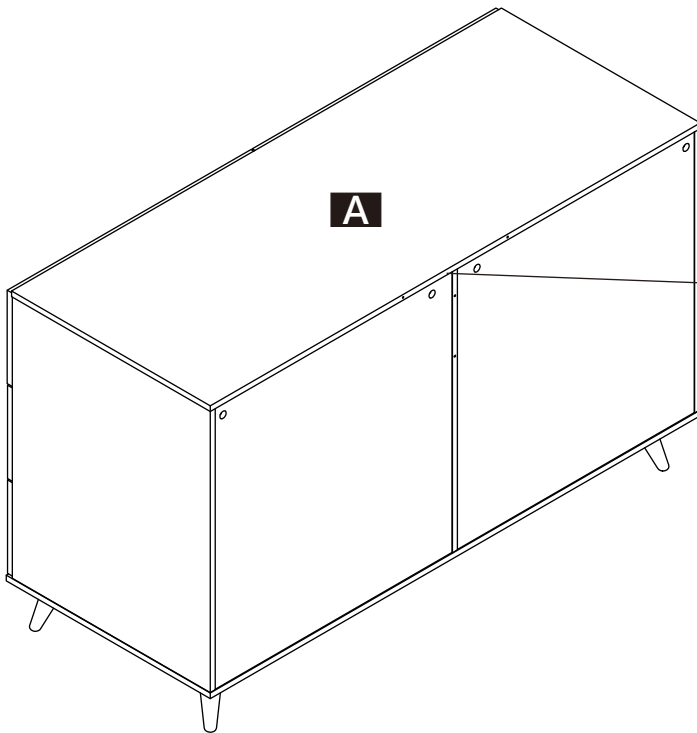
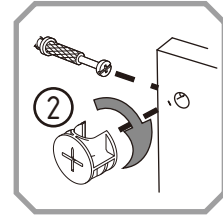
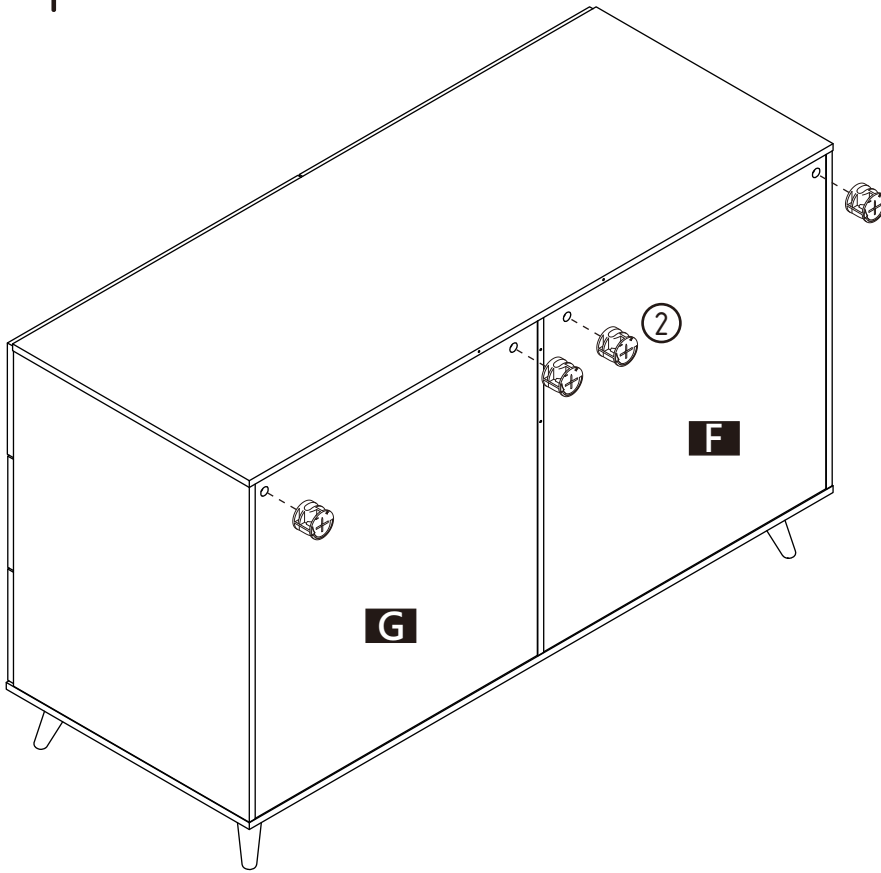
2.



Secure two screws from the outside of the drawer using a Phillips screwdriver to tighten them to the outer slides.

ASSEMBLY INSTRUCTIONS

Step 11.



ASSEMBLY IS COMPLETED.

Make sure the product is rested on a flat surface and does not feel loose or wobbly. If it does, double check that the bolts/screws are secured and properly tightened.