

ASSEMBLY INSTRUCON FOR ACME FURNITURE







MODEL ITEM NO:98186

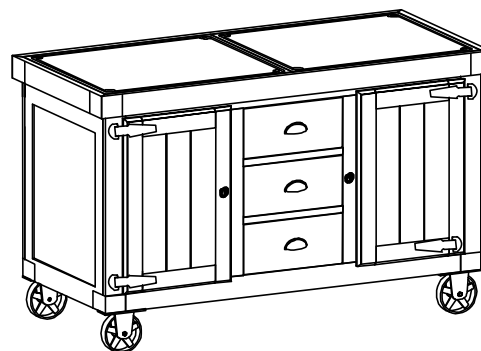
Thank you for purchasing this quality product. Be sure to check all packing materlai carefully for small parts which may have come loose Inside the carton during shlpment. Sepaeate, identify and count all parts and metal hardware. Compare with parts list to be surre all parts sre present. If any parts are missing or damaged, please contact your local fumlture dealer. For effiicent and speedy service, please indicate the model number and code letter df parts needed.

***** Do not fully tighten screws until fully assembled *****

COMPONENT PARTS		
DESCRIP TION	PART NAME	Q' TY (PCS)
①	Cabinet body	1
②	Castor	4
③	Panel	2
④	Layer board	4

HARDWARES REQUIRED

(E)		Screw 5/16"*1"	16 PCS
(F)		Lock 5/16"	16 PCS
(G)		Flat Washer 5/16"*22mm	16 PCS
(H)		Allen Wrench 5mm	1 PCS
(J)		Layer board supporreing	16 PCS
(K)		Rapid tootn	16 PCS



Attention:

*** Mattresses not inc luded.

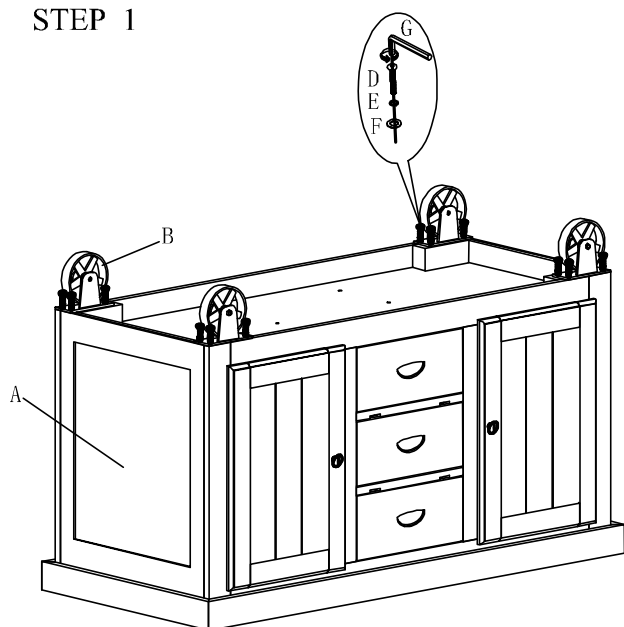
*** Some number parts llsted on the instlon sheet mar not ba in pag as they may already be assembled

Carefully check pares and packing materlals prior to odeing replacements

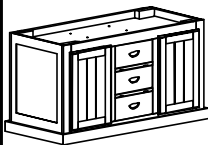



ASSEMBLY INSTRUCON FOR ACME FURNITURE

MODEL ITEM NO:98186

STEP 1



PARTS LIST:

NO	Description	Sketch	Quantity
A	Cabinet body		1 PCS
B	Castor		4 PCS
C	Panel		2 PCS
D	Layer board		4 PCS

STEP 2

