

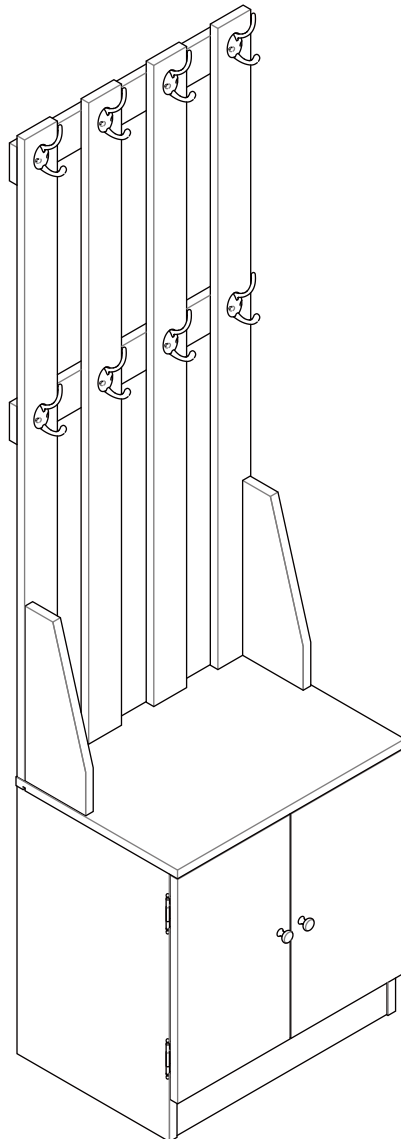
ASSEMBLY INSTRUCTION FOR ACME FURNITURE

MODEL#97789

Thank you for purchasing the quality product. Be sure to check all packing material carefully for small parts which may have come loose inside the carton during shipment. Separate, identify and count all parts and metal hardware. Compare with all parts are present. If any part(s) are missing or damaged, please contact your local furniture dealer. For efficient and speedy service, please indicate the model number and code letter of part(s) needed.

*****Do not fully tighten screws until fully assembled.*****

HALL TREE



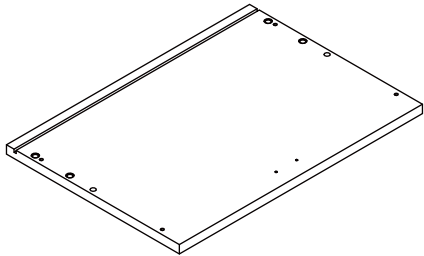
DIMENSIONS

Width - 17.72"
Depth - 13.15"
Height - 62.01"

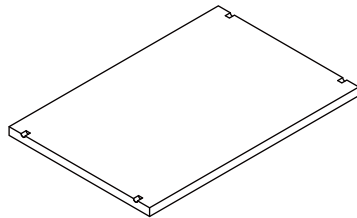
97789

PARTS LIST

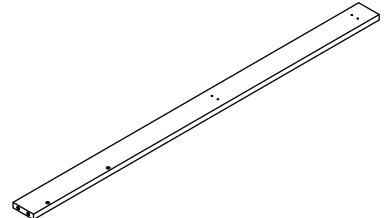
A X1 Top



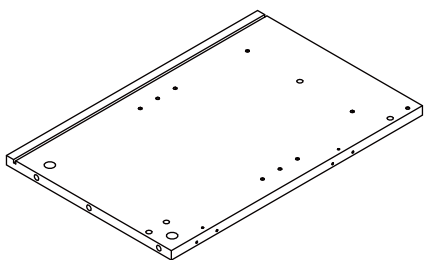
F X1 Layer



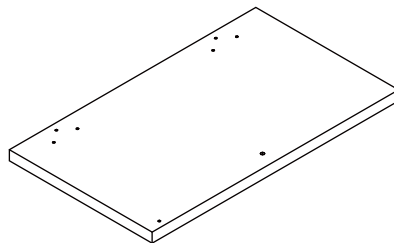
K X1 Right fence



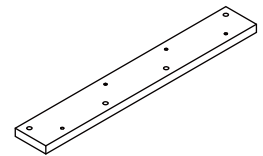
B X1 Left side



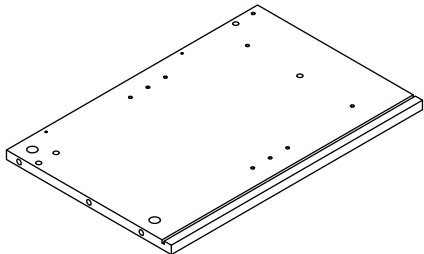
G X1 Left door



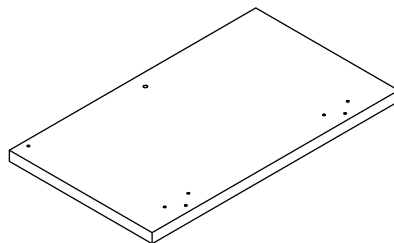
L X2 Fence



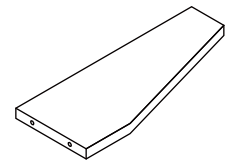
C X1 Right side



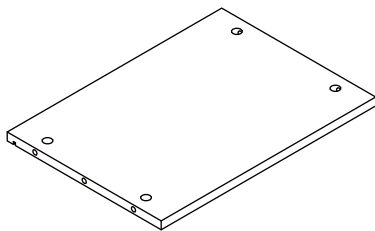
H X1 Right door



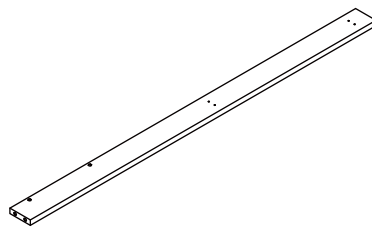
M X2 Top support



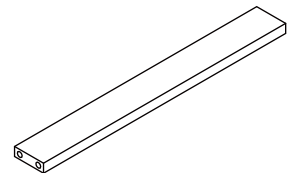
D X1 Bottom



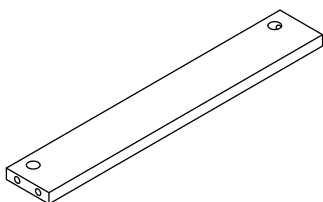
I X1 Left fence



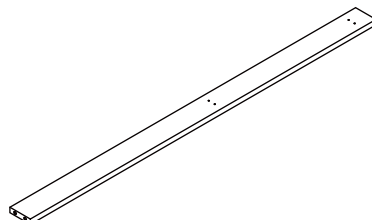
N X1 Middle support



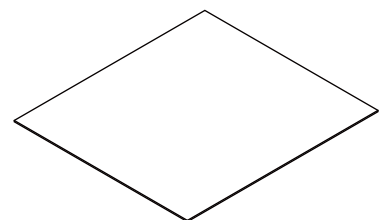
E X1 Bottom support



J X2 Middle fence



O X1 Back



HARDWARE LIST

① X10 Cam bolt 7*35*12.5mm



② X10 Cam lock 15*12mm



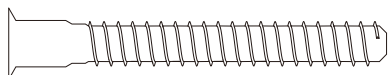
③ X18 Dowel 8*30mm



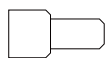
④ X8 Wood screw 8#*1"



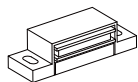
⑤ X8 Coarse screw 7*11*50mm



⑥ X4 Shelf pin 4.9*16mm



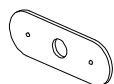
⑦ X1 Magnet



⑧ X2 Magnet screw 3*15mm



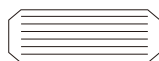
⑨ X2 Iron sheet



⑩ X2 Wood screw 3*10mm



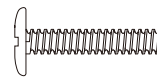
⑪ X8 Dowel 8*20mm



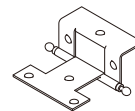
⑫ X2 Handle



⑬ X2 Handle screw 5/32*3/4"mm



⑭ X4 Hinge



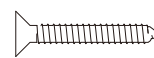
⑮ X24 Wood screw 3*12mm



⑯ X4 Fixative plate



⑰ X4 Wood screw 3*19mm



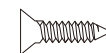
⑱ X4 Foot nail



⑲ X8 Hook



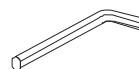
⑳ X16 Wood screw 3*12mm



㉑ X1 Glue



㉒ X1 Allen wrench

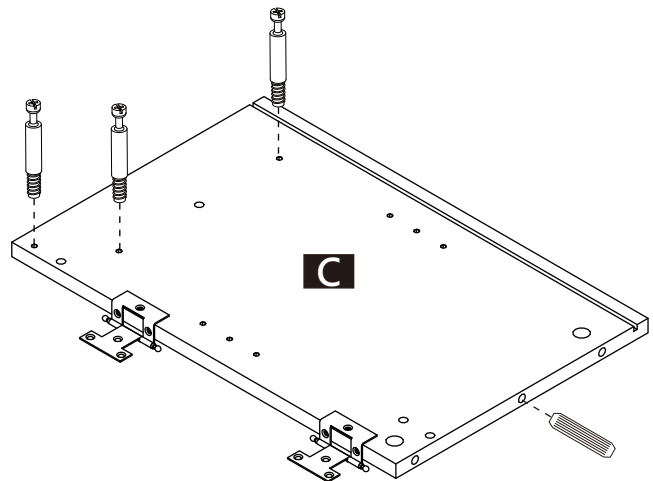
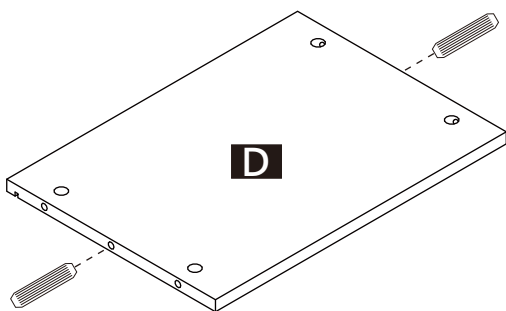
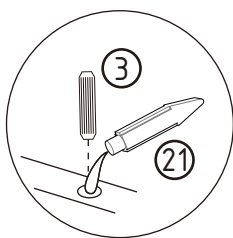
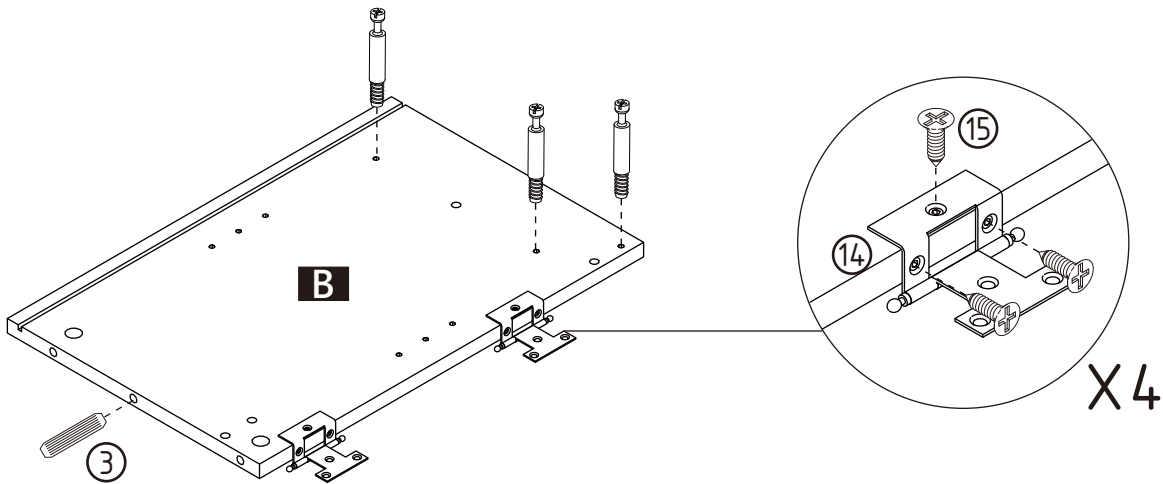
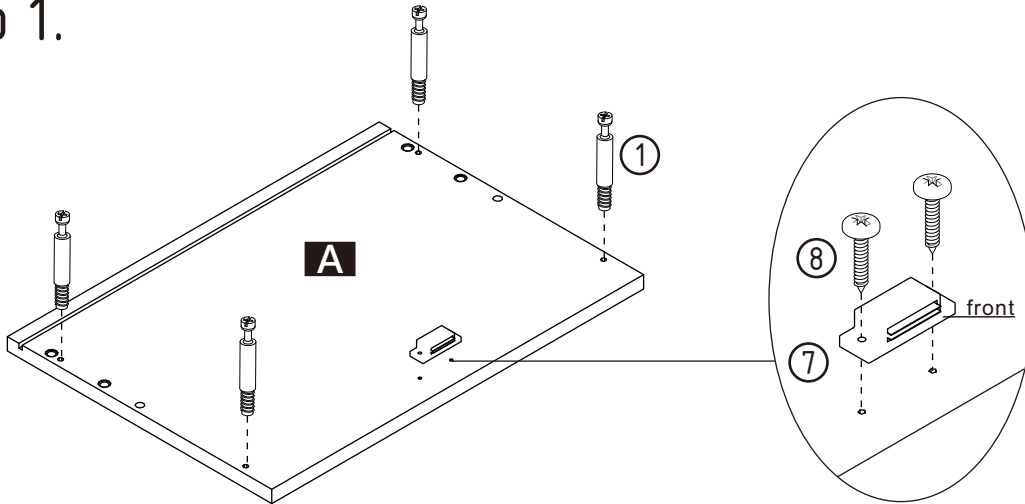


Attention

Some number parts listed on the instruction sheet may not be in parts bag as they may already be assembled. Carefully check parts and packing materials prior to ordering replacements.

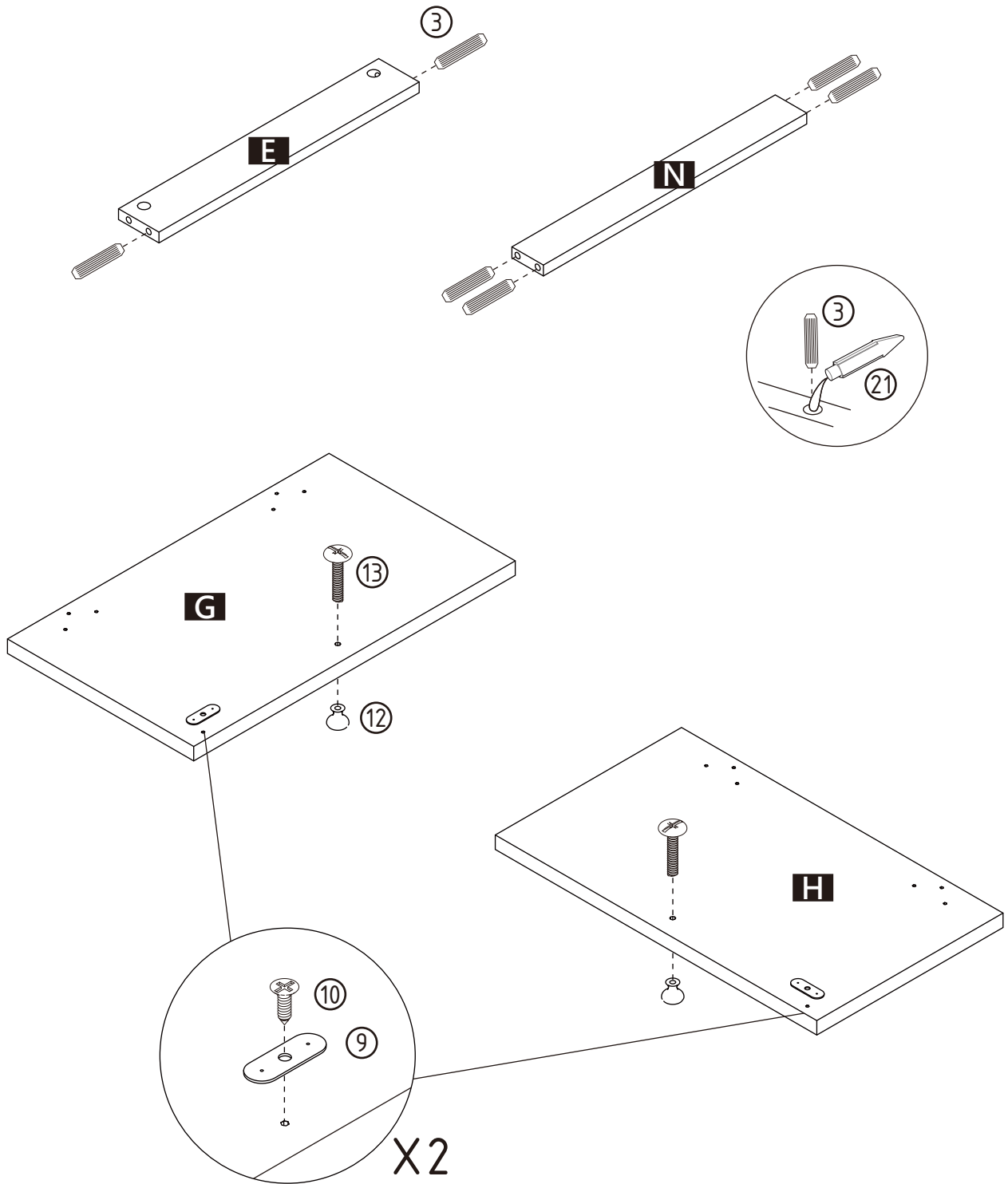
ASSEMBLY INSTRUCTIONS

Step 1.



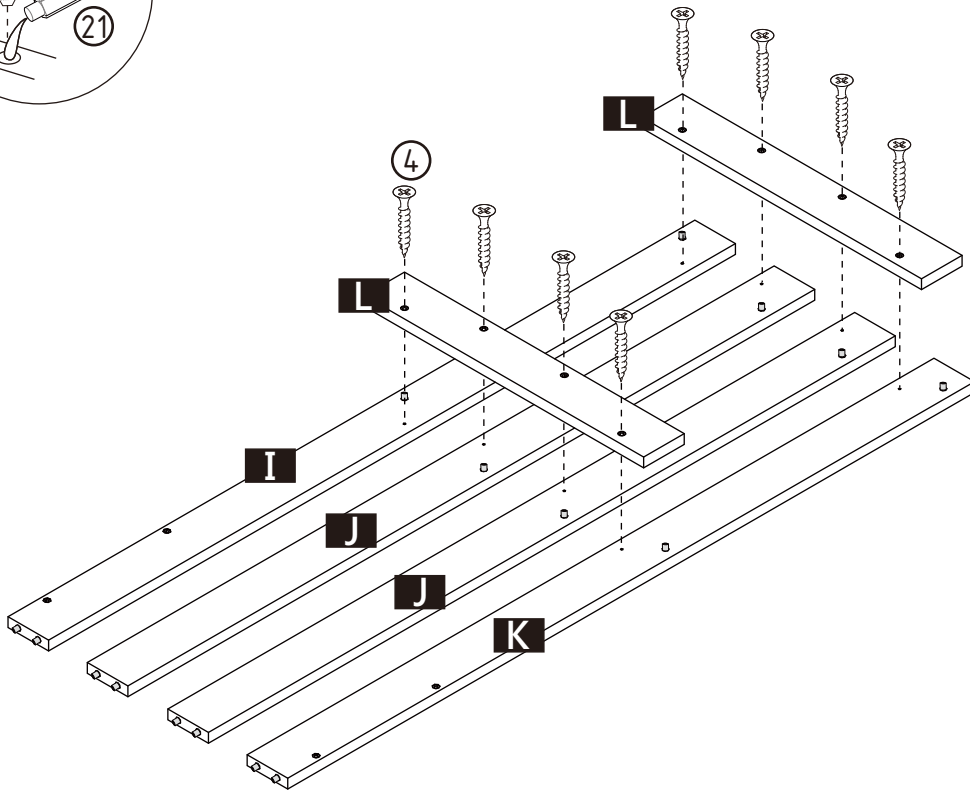
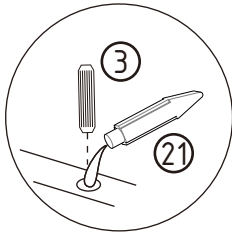
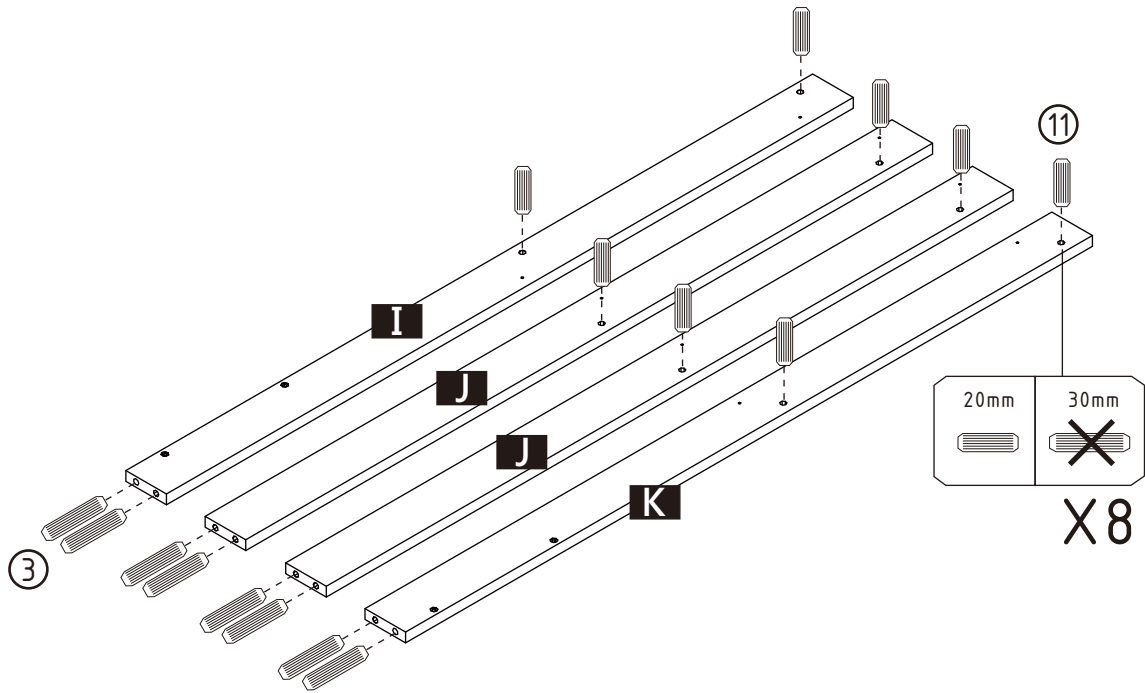
ASSEMBLY INSTRUCTIONS

Step 2.



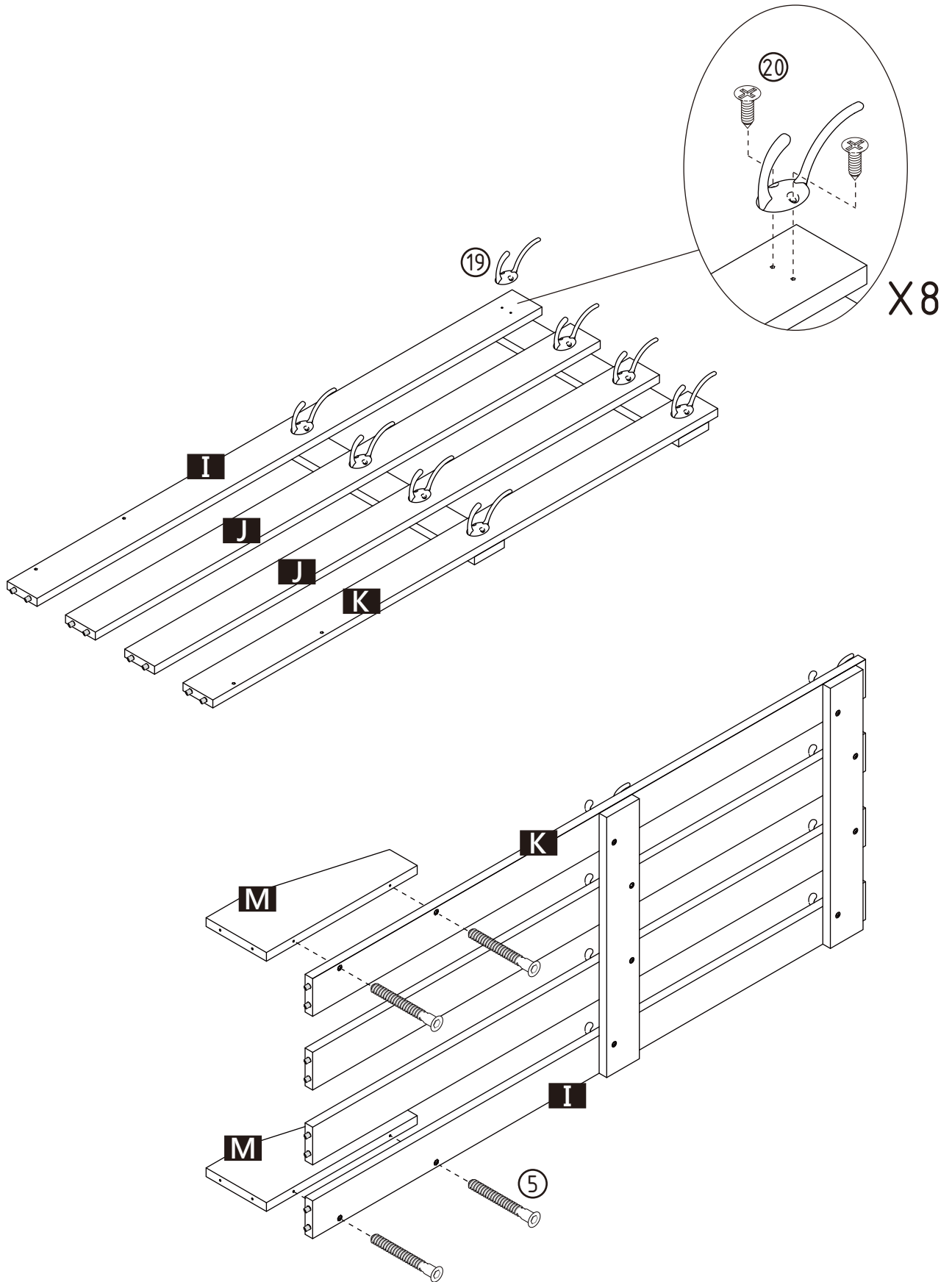
ASSEMBLY INSTRUCTIONS

Step 3.



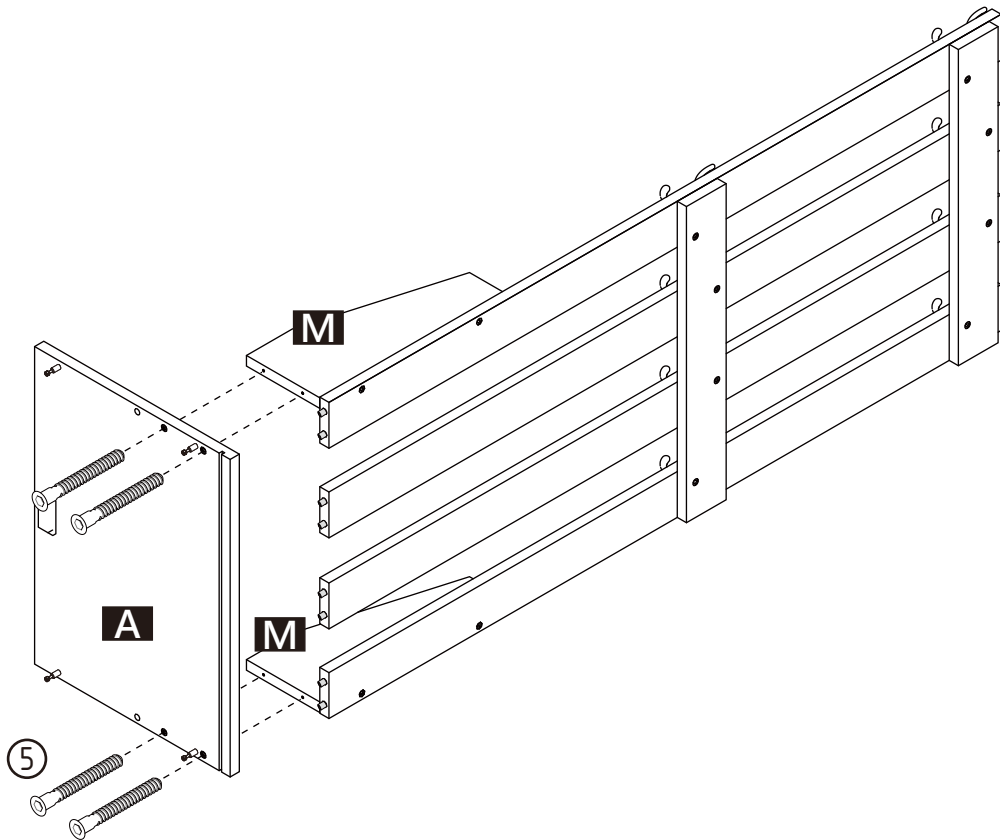
ASSEMBLY INSTRUCTIONS

Step 4.

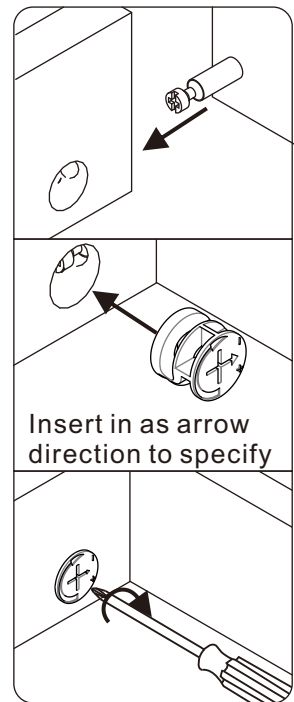
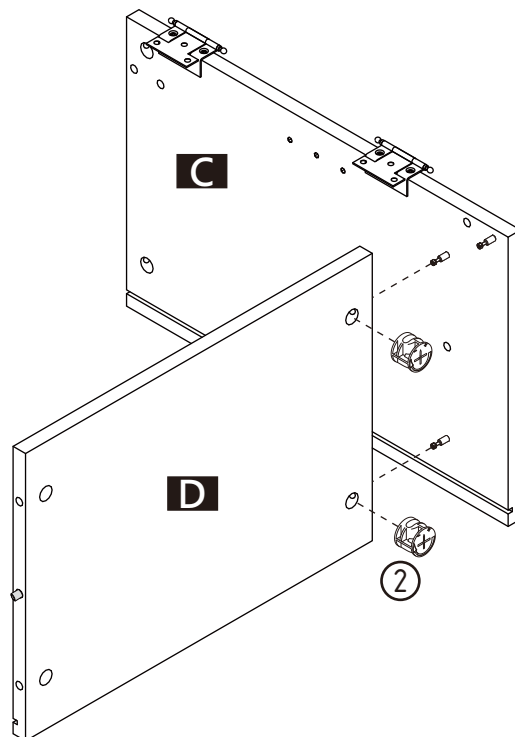


ASSEMBLY INSTRUCTIONS

Step 5.

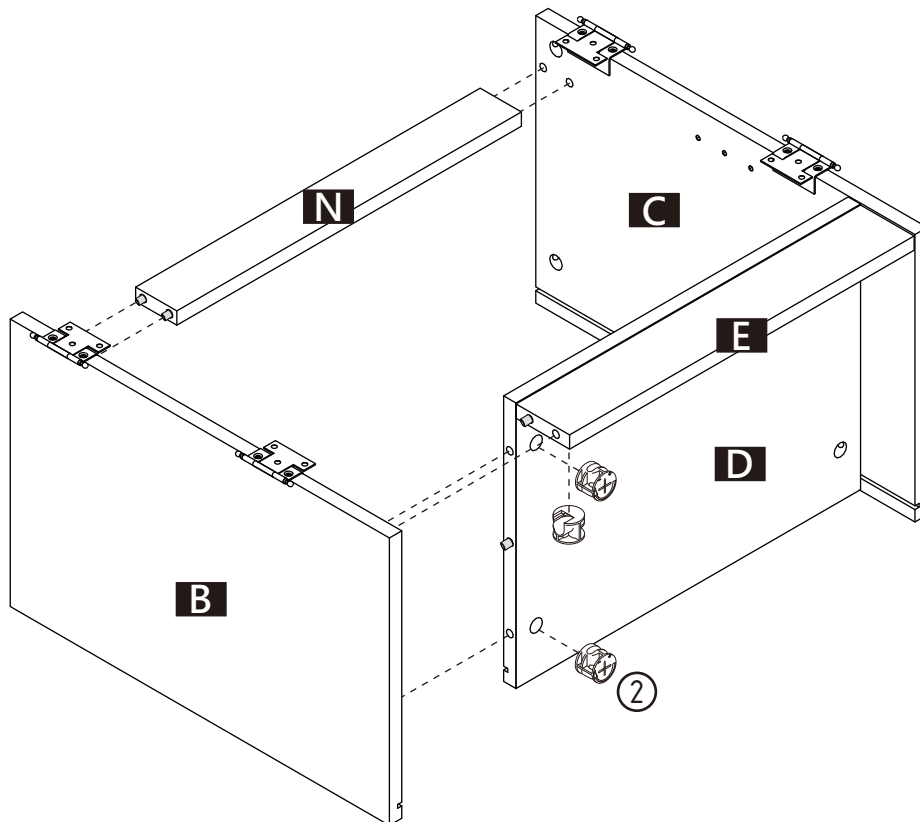
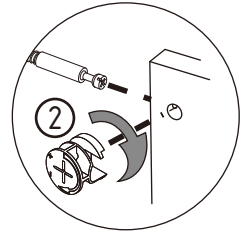
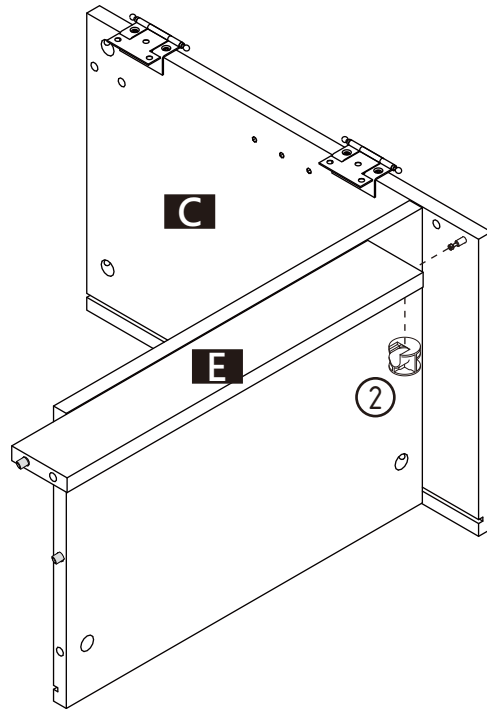


Step 6.



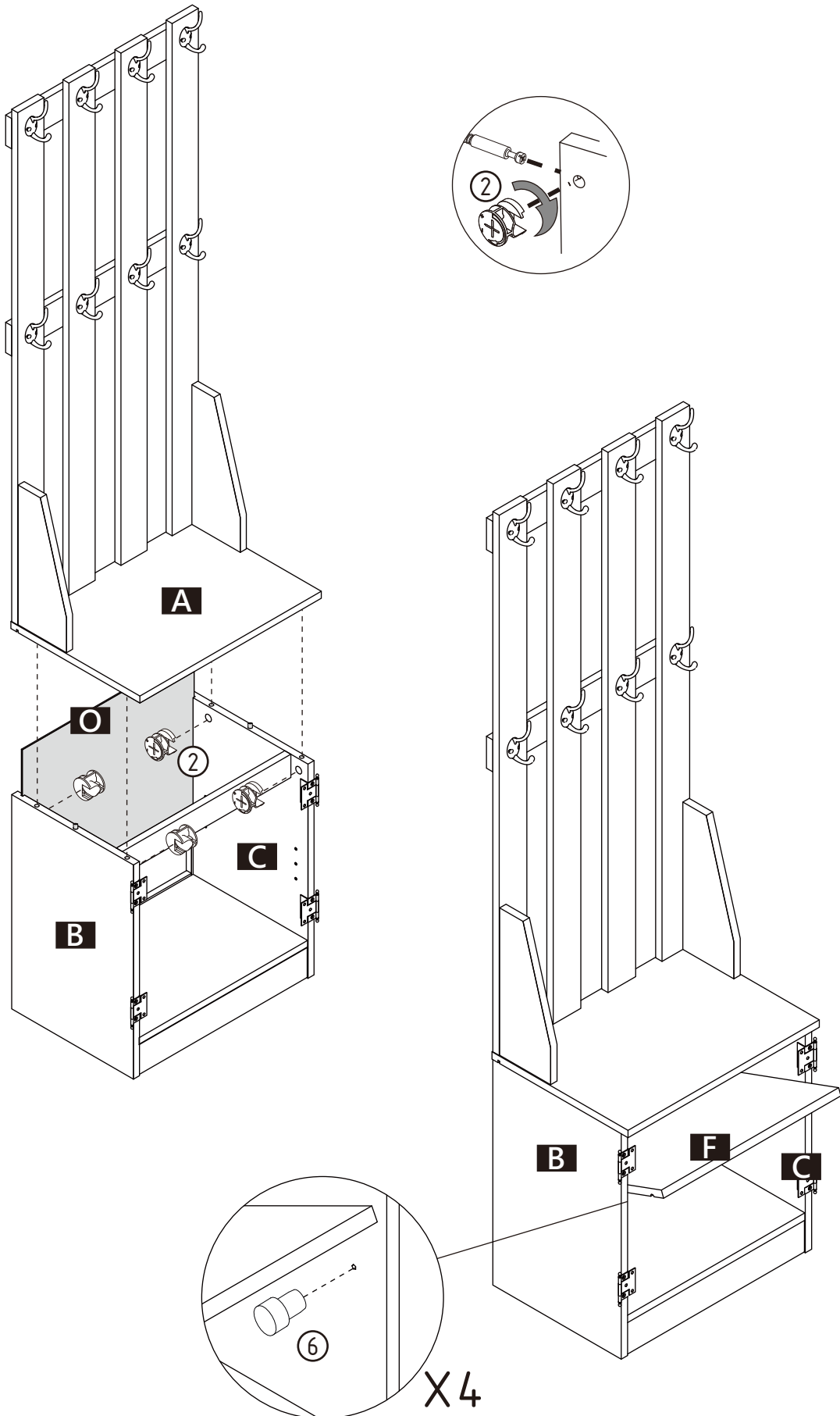
ASSEMBLY INSTRUCTIONS

Step 7.



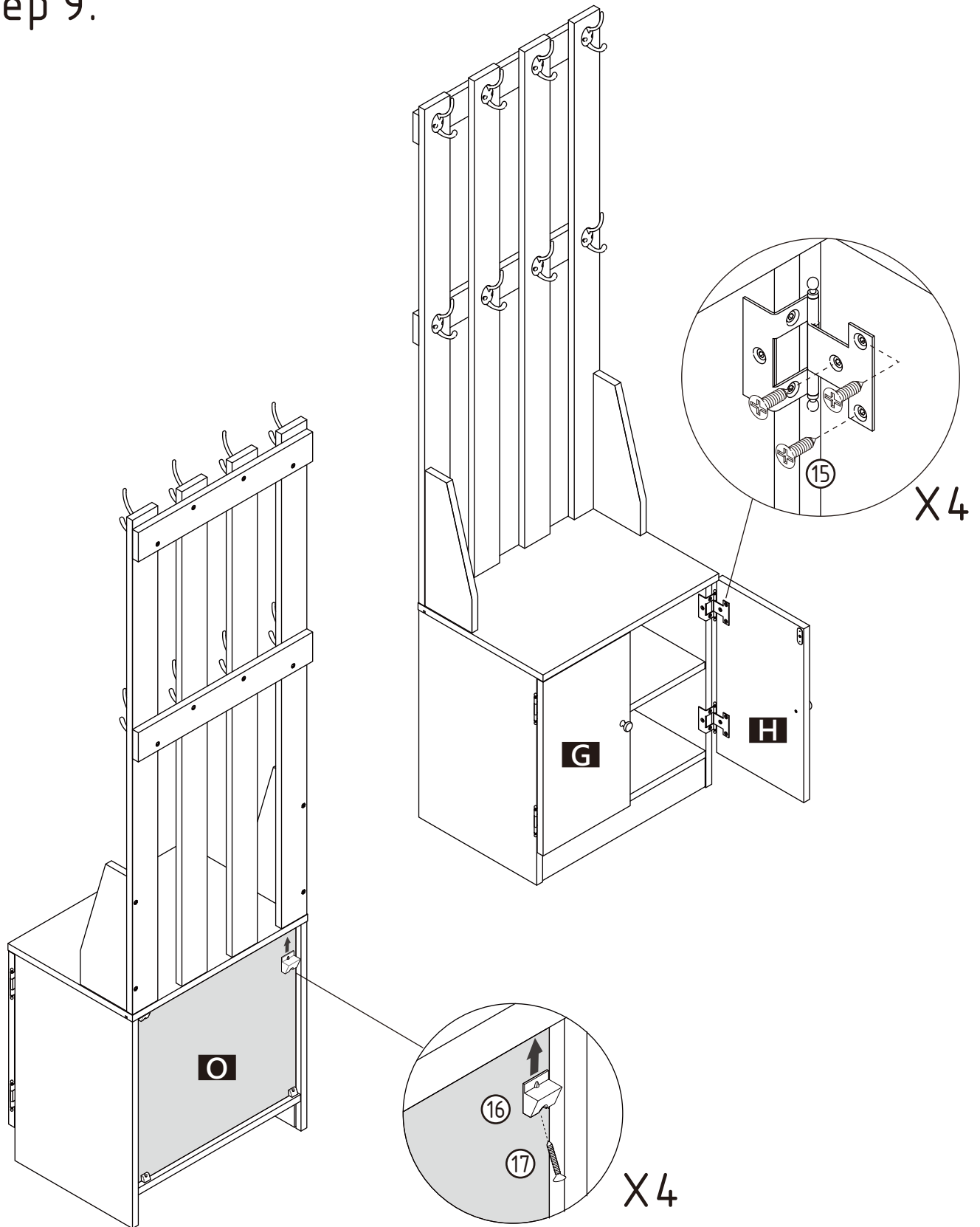
ASSEMBLY INSTRUCTIONS

Step 8.



ASSEMBLY INSTRUCTIONS

Step 9.



ASSEMBLY IS COMPLETED.

Make sure the product is rested on a flat surface and does not feel loose or wobbly. If it does, double check that the bolts/screws are secured and properly tightened.