

ASSEMBLY INSTRUCTION FOR ACME FURNITURE

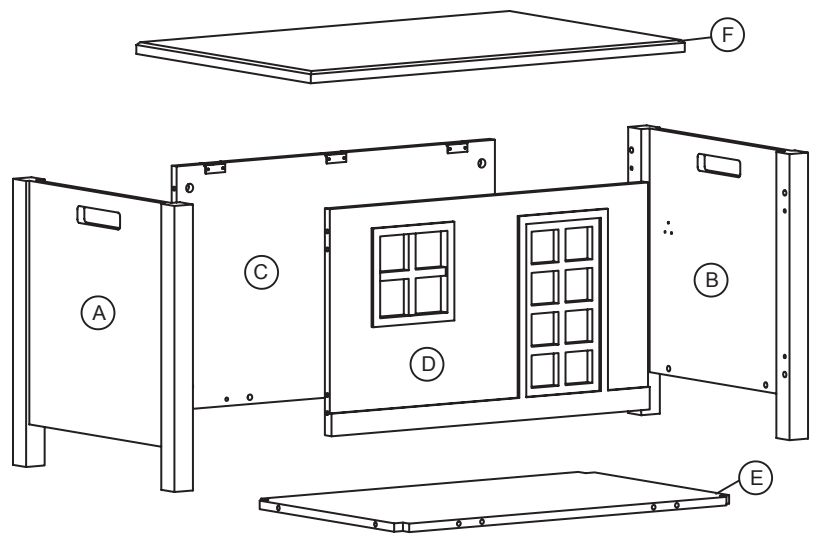
MODEL#97634 / #97635 (#YH-4015B)

Thank you for purchasing the quality product. Be sure to check all packing material carefully for small parts which may have come loose inside the carton during shipment. Separate, identify and count all parts and metal hardware. Compare with all parts list to be sure all parts are present. If any part(s) are missing or damaged, please contact your local furniture dealer. For efficient and speedy service, please indicate the model number and code letter of part(s) needed.









Do not fully tighten screws until fully assembled

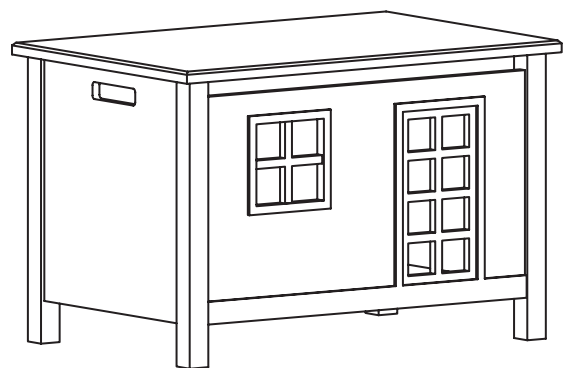
COMPONENT PARTS

- (A) Left side panel -- 1pc
- (B) Right side panel -- 1pc
- (C) Back panel -- 1pc
- (D) Front panel -- 1pc
- (E) Bottom panel -- 1pc
- (F) Top panel -- 1pc



HARDWARES REQUIRED

- (1)  Cam bolt -- 16pcs
- (2)  Wooden dowel -- 13pcs
- (3)  Cam lock -- 16pcs
- (4)  Screw -- 16pcs
- (5)  Bolt -- 2pcs
- (6)  Bolt -- 2pcs
- (7)  Drawbar -- 2pcs
- (8)  Pad -- 2pcs

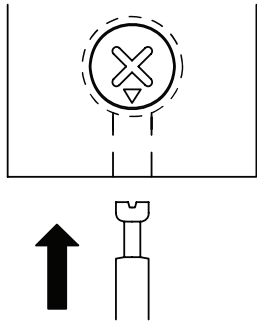


Attention:

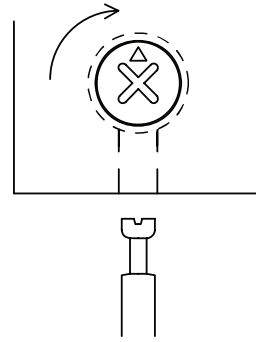
*** Some number parts listed on the instruction sheet may not be in parts bag as they may already be assembled. Carefully check parts and packing materials prior to ordering replacements.

CAM LOCK SYSTEM

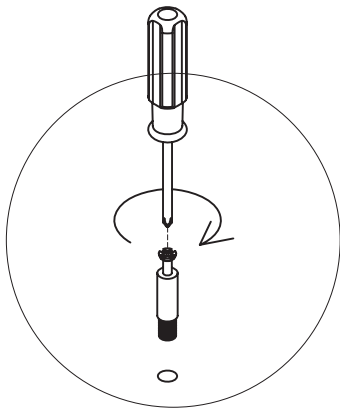
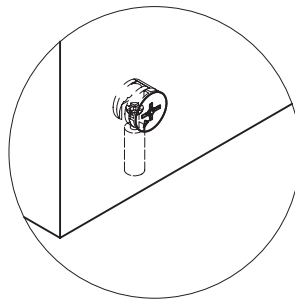
(1)



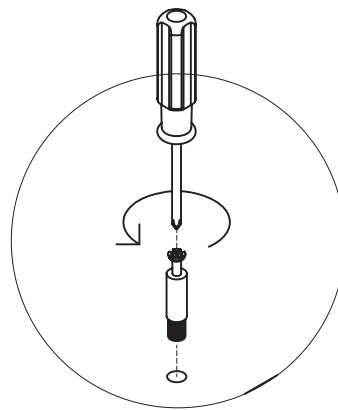
(2)



IMPORTANT NOTE--CAM LOCK ADJUSTMENT



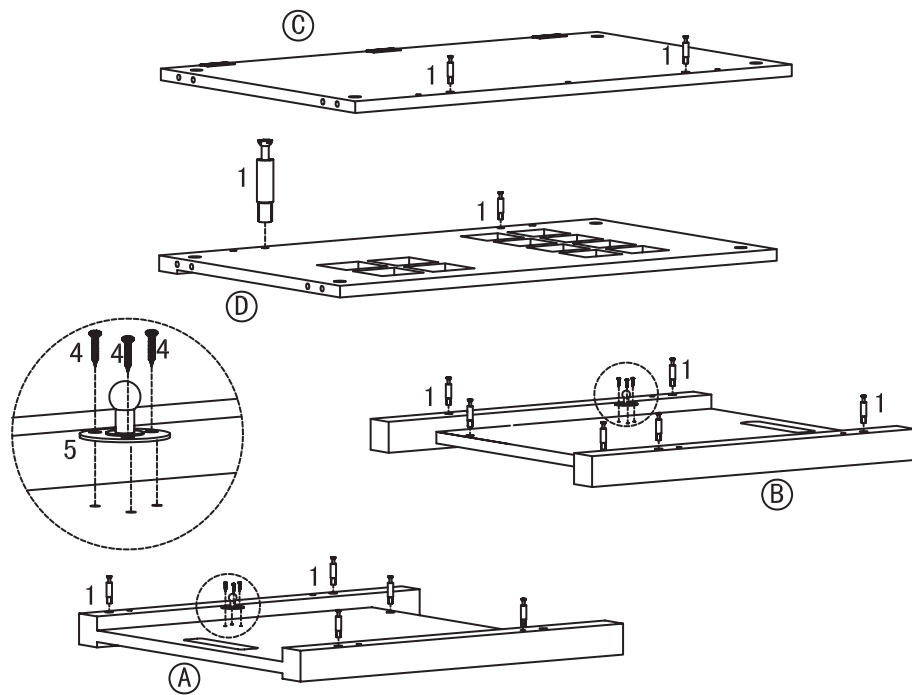
If Cam Lock is too loose, Please adjust Metal Dowel to turn right as drawing.



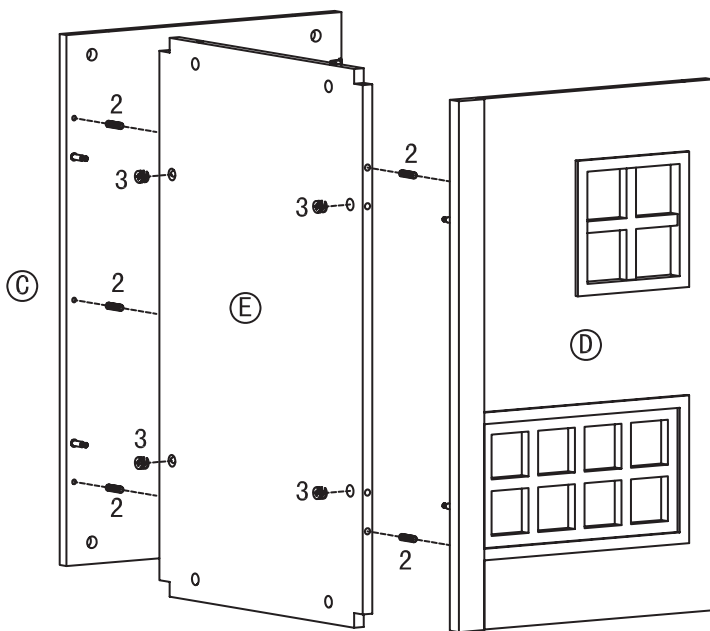
If Cam Lock is too tight, Please adjust Metal Dowel to turn left as drawing.

How to assemble:

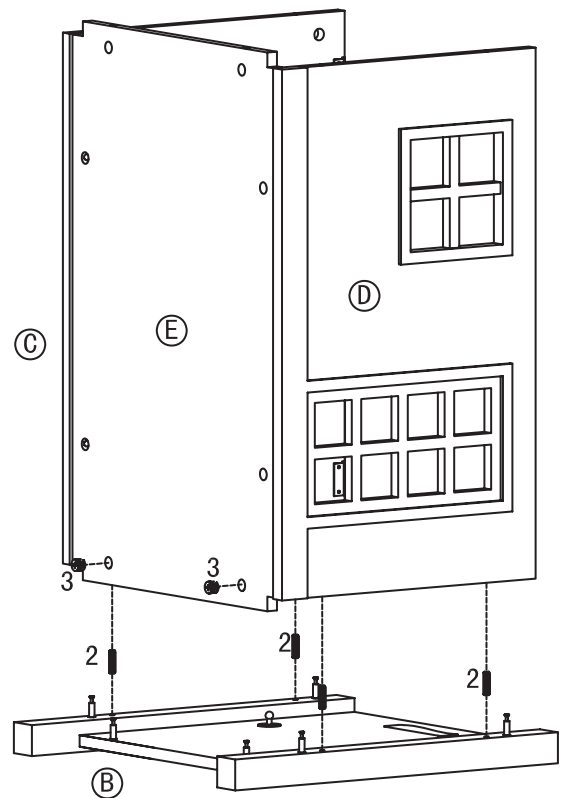
Step 1



Step 2

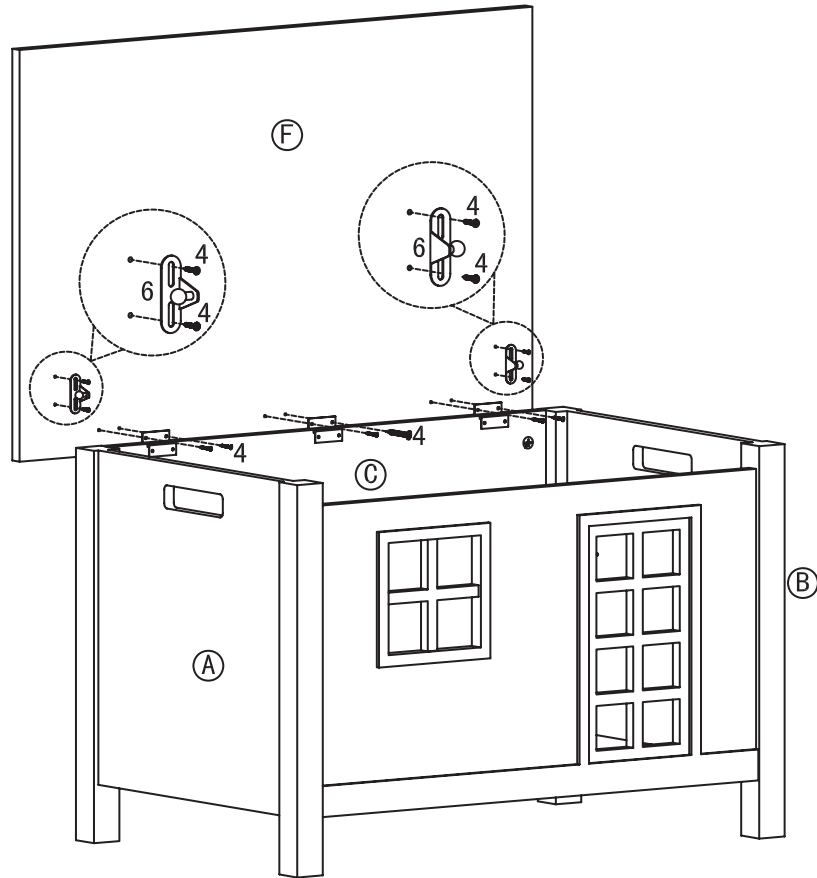


Step 3



How to assemble:

Step 4



Step 5

