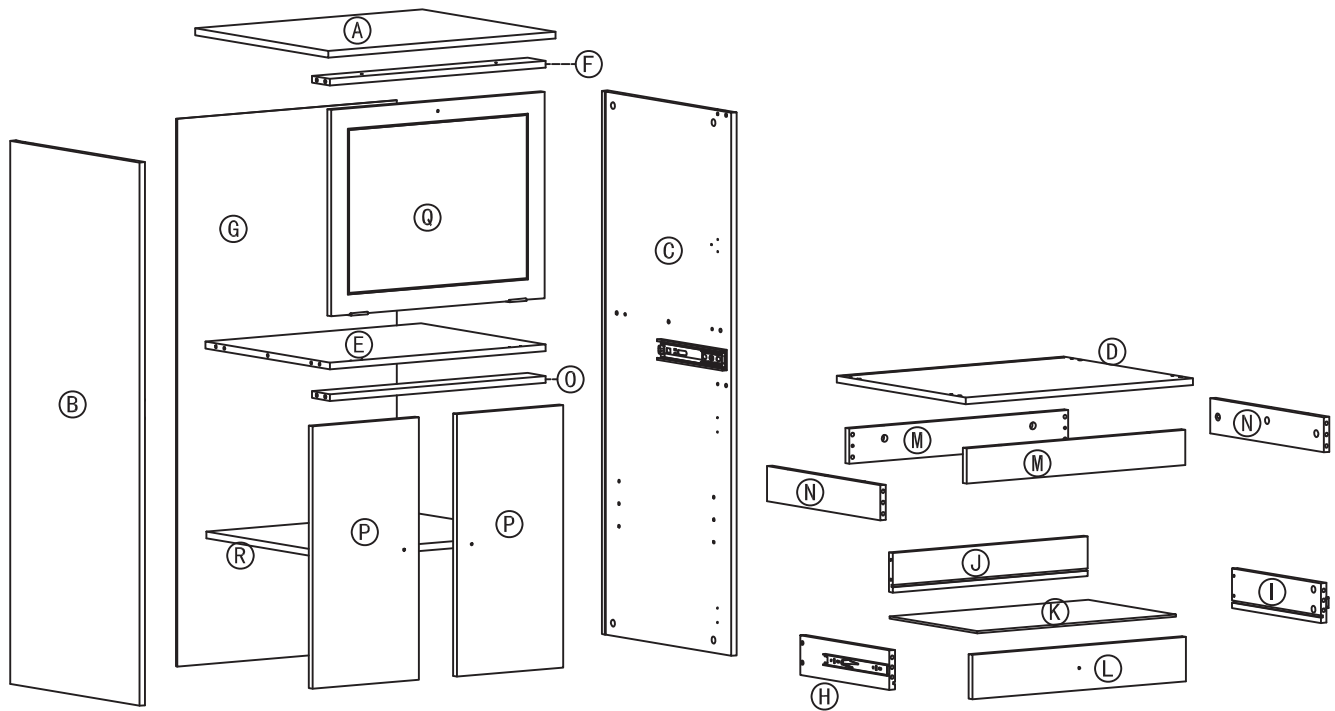
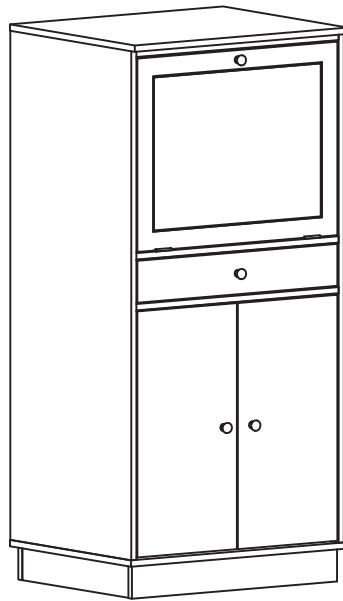










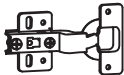



Wine Cabinet

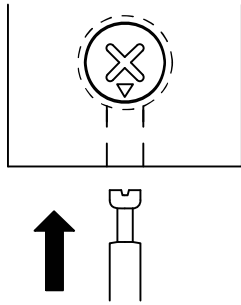
Item no.97543/97545



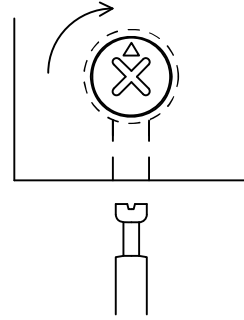
1		30 pcs	2		30 pcs	3		32 pcs	4		6 pcs
5		4 pcs	6		4 pcs	7		4 pcs	8		8 pcs
9		26 pcs	10		4 pcs	11		4 pcs	12		2 pcs

CAM LOCK SYSTEM

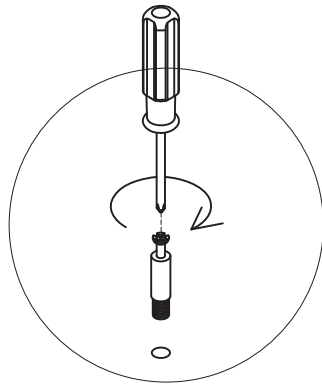
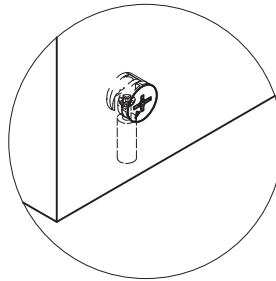
(1)



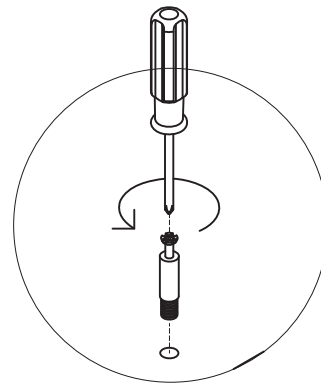
(2)



IMPORTANT NOTE--CAM LOCK ADJUSTMENT

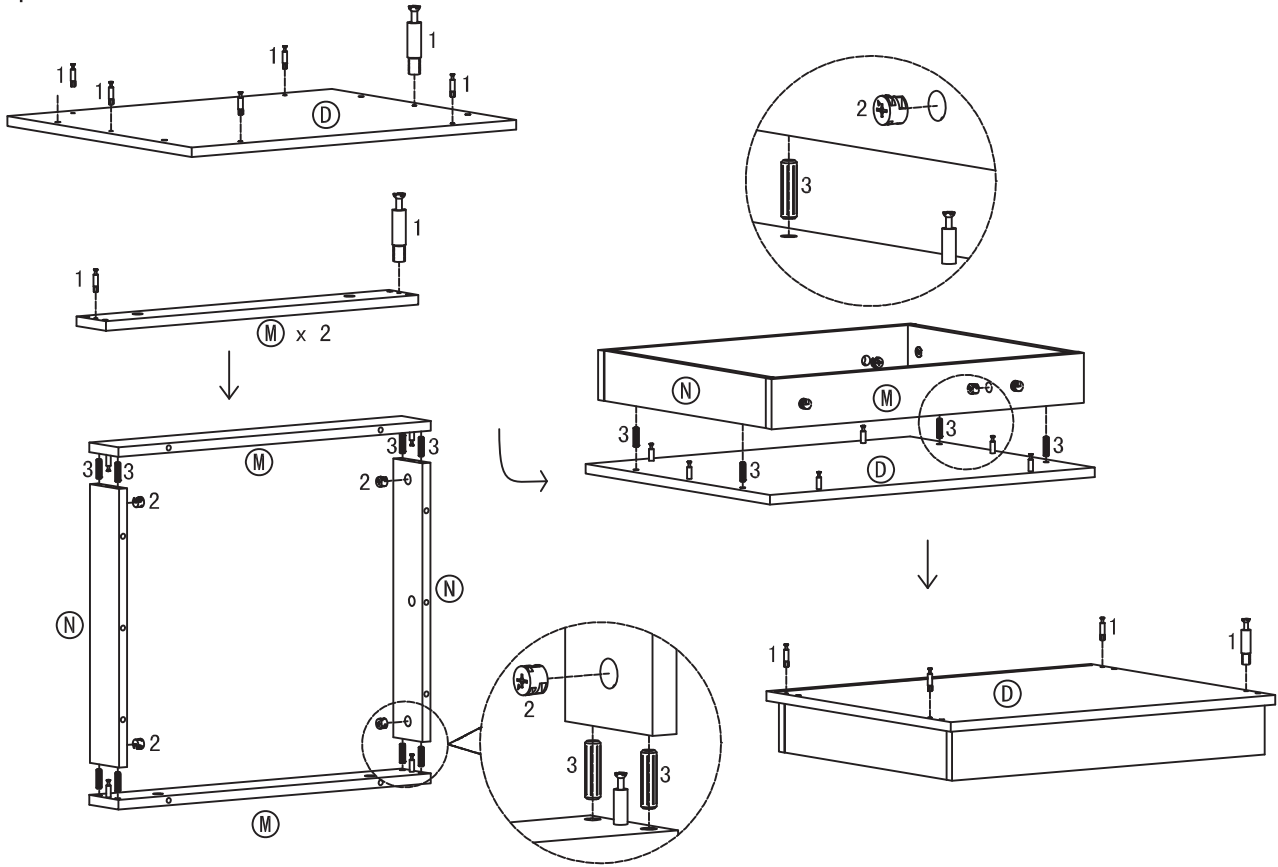


If Cam Lock
is too loose,
Please adjust Metal
Dowel to turn right
as drawing.

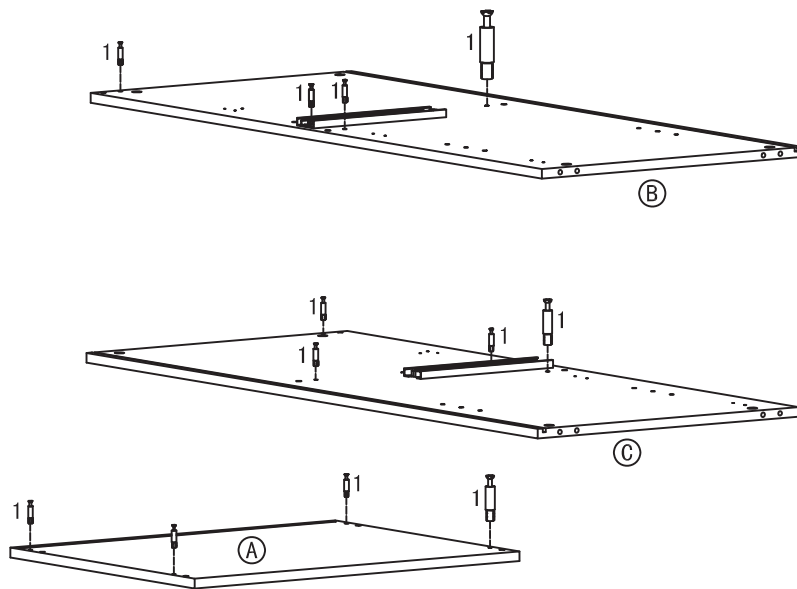


If Cam Lock
is too tight,
Please adjust Metal
Dowel to turn left
as drawing.

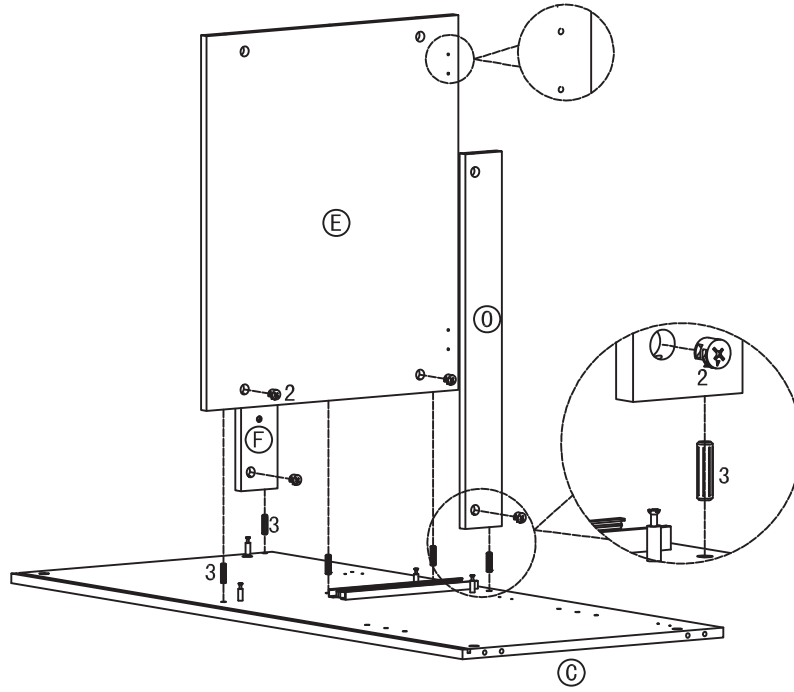
Step 1



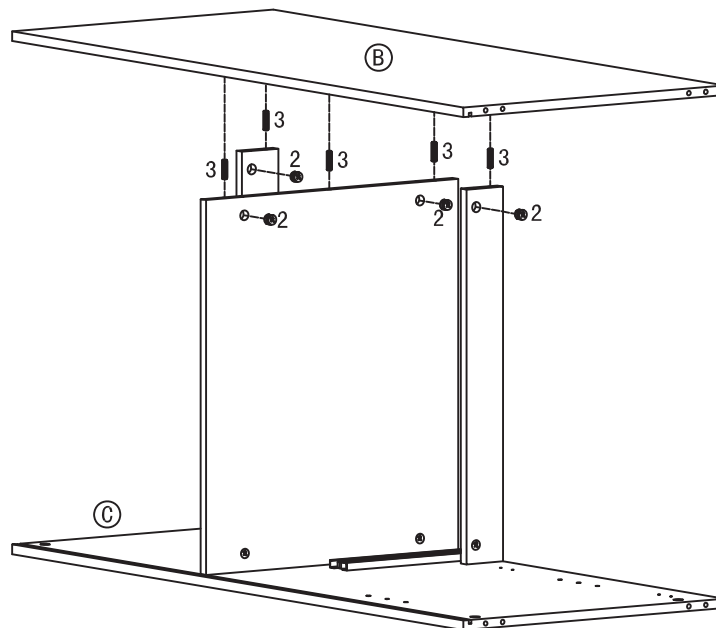
Step 2



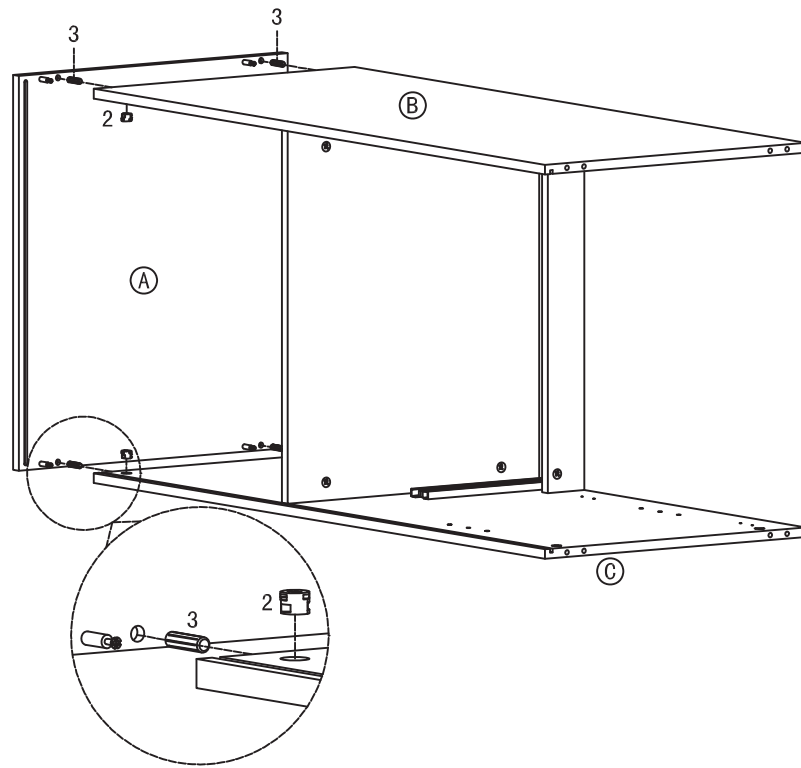
Step 3



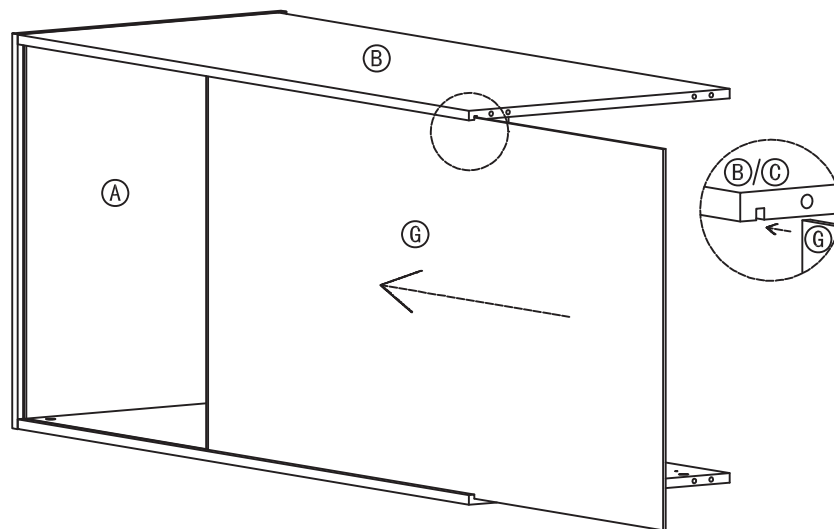
Step 4



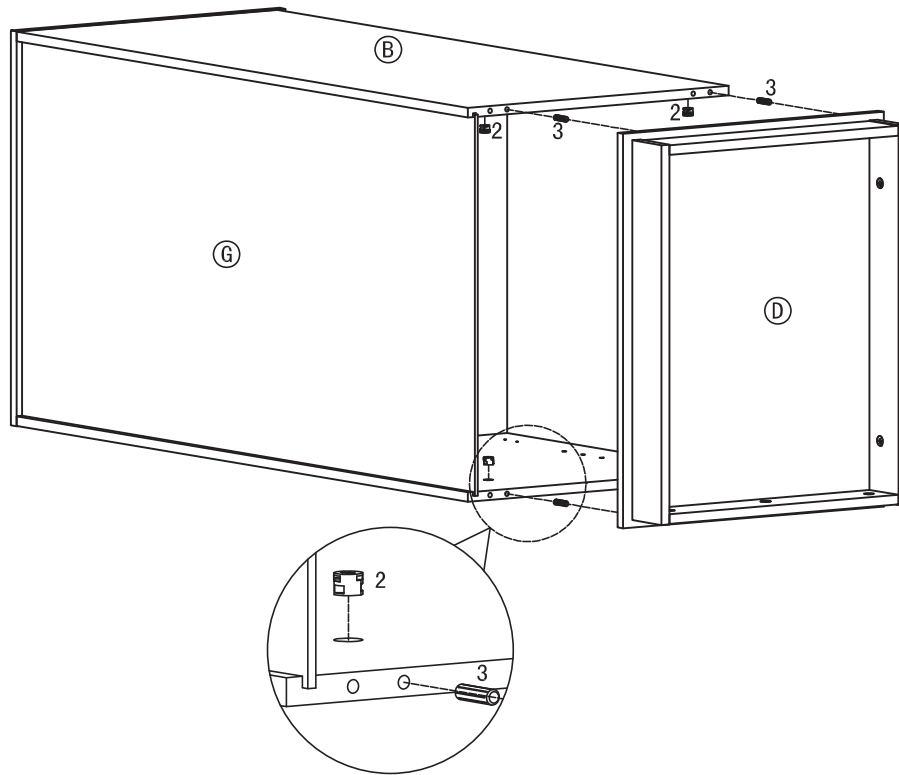
Step 5



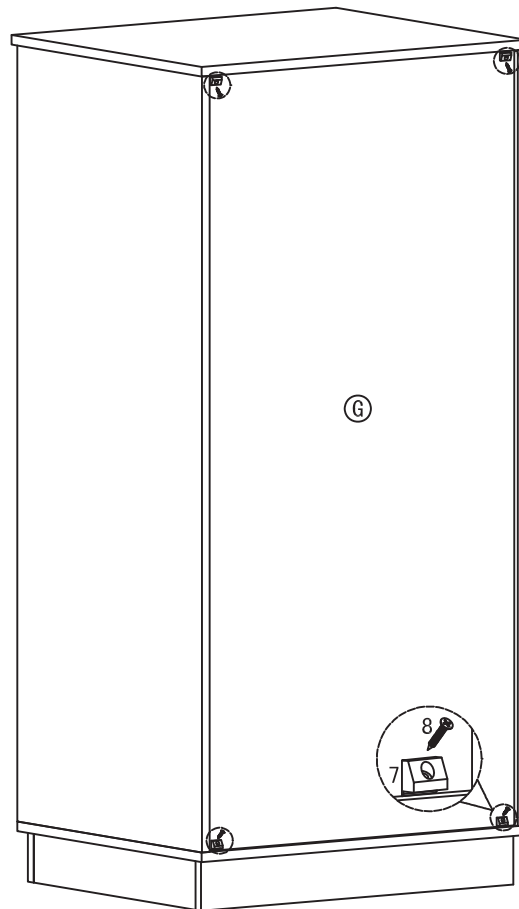
Step 6



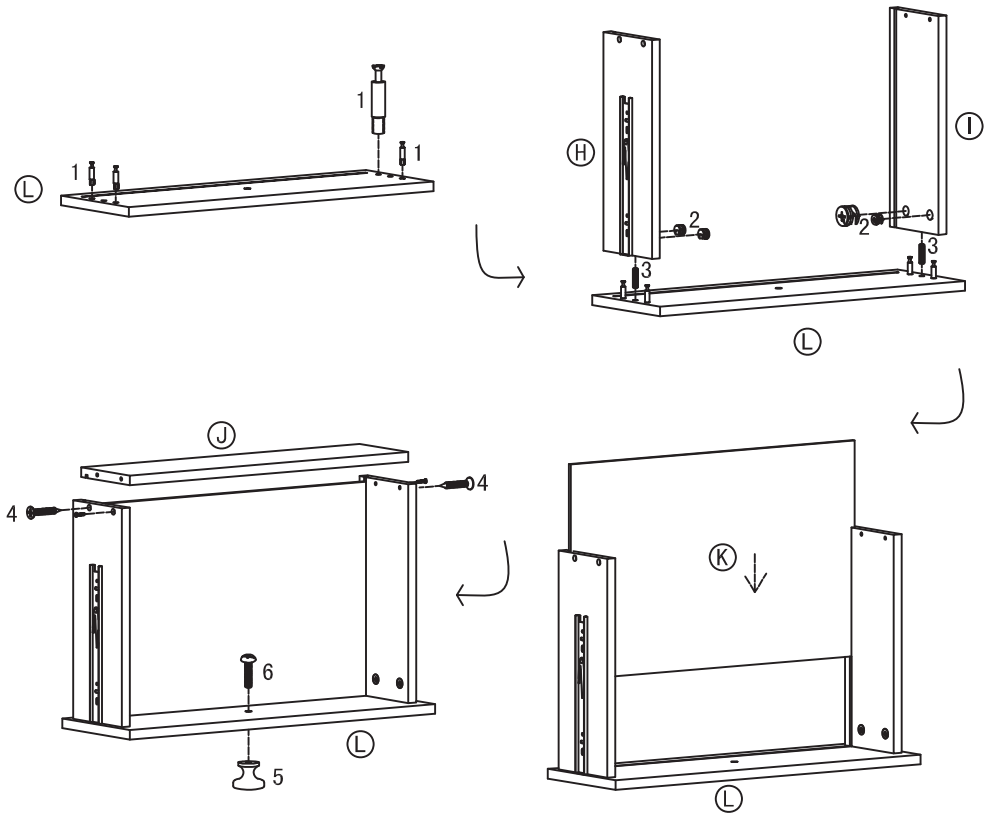
Step 7



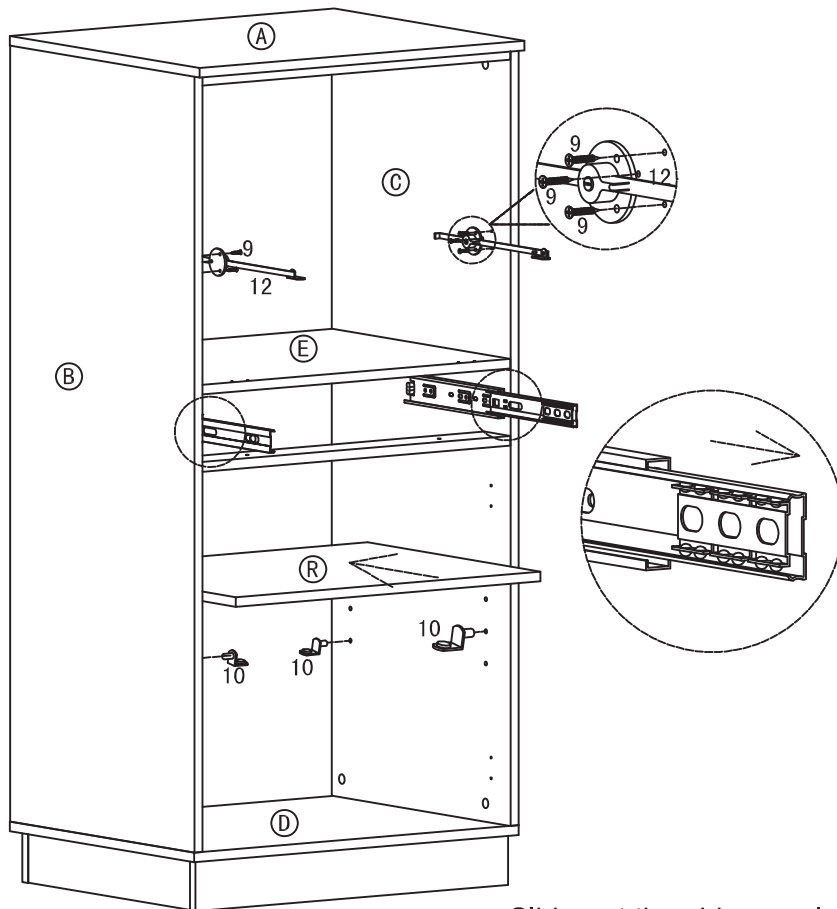
Step 8



Step 9

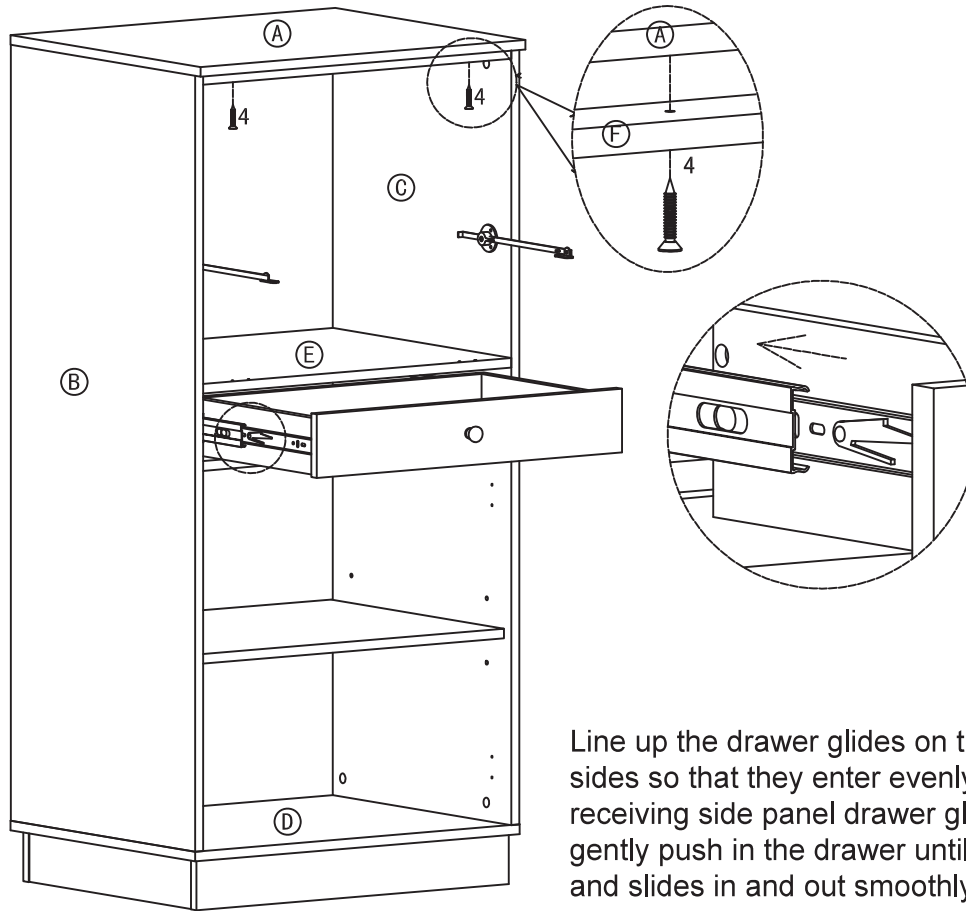


Step 10



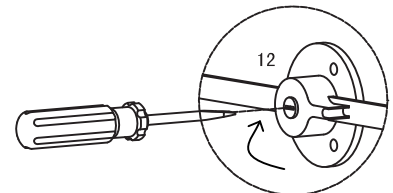
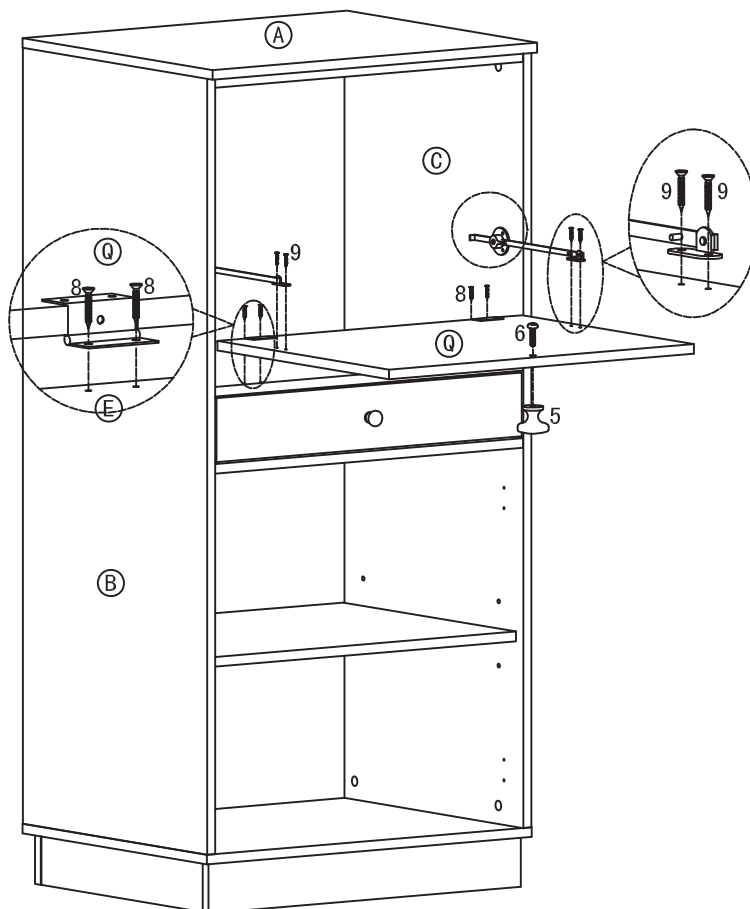
Slide out the side panel drawer glides for proper insertion of the drawers.

Step 11

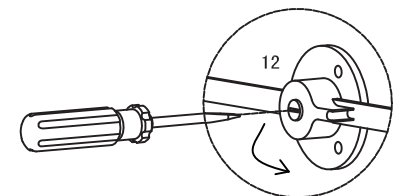


Line up the drawer slides on the drawers on both sides so that they enter evenly into the extended receiving side panel drawer slides as shown then gently push in the drawer until the drawer is secure and slides in and out smoothly.

Step 12

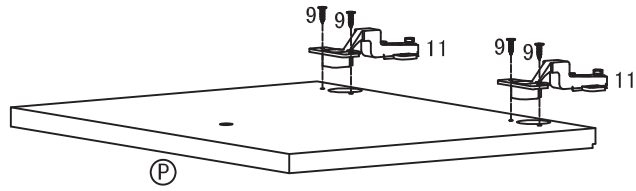


If door is too loose, please adjust Metal Dowel to turn right as drawing

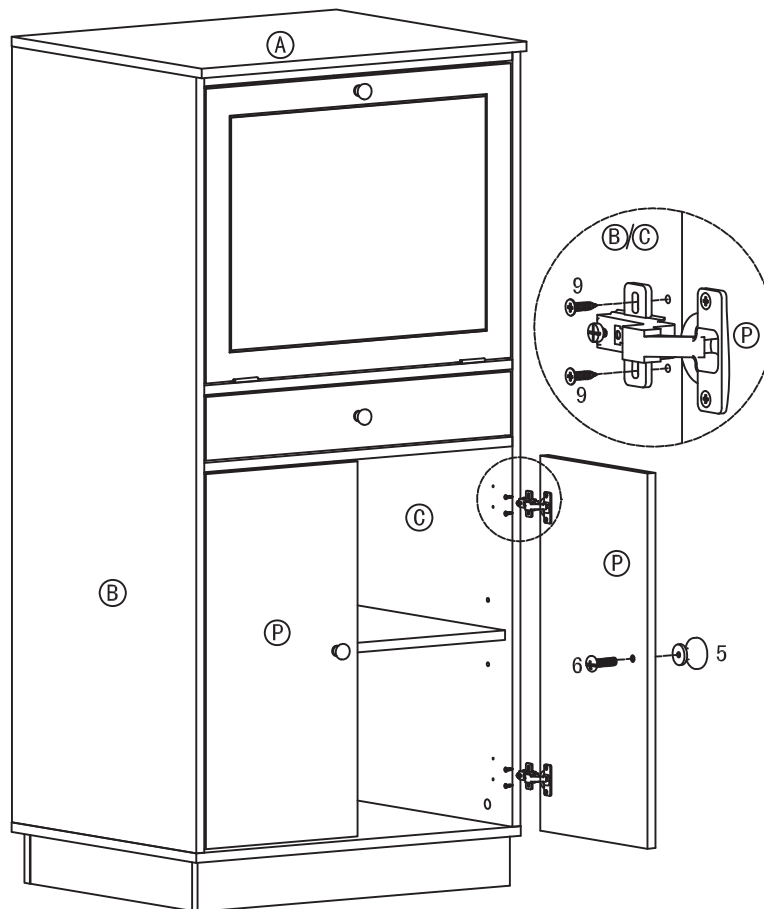


If door is too tight, please adjust Metal Dowel to turn left as drawing

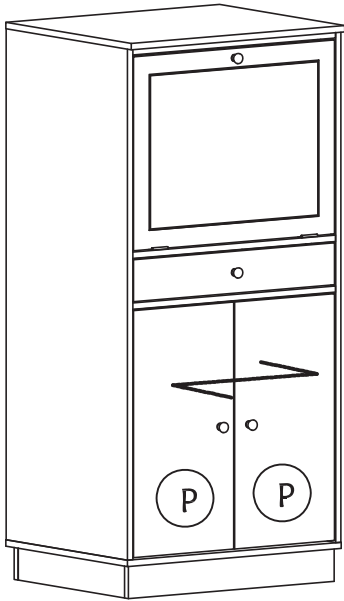
Step 13
x 2



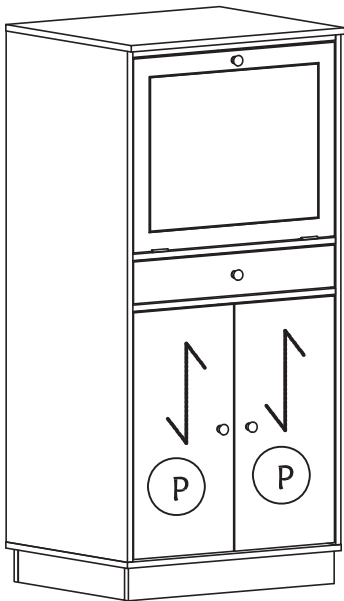
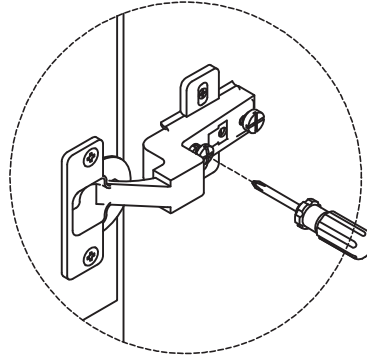
Step 14



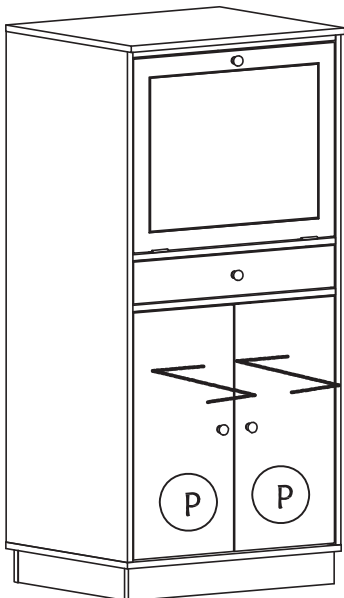
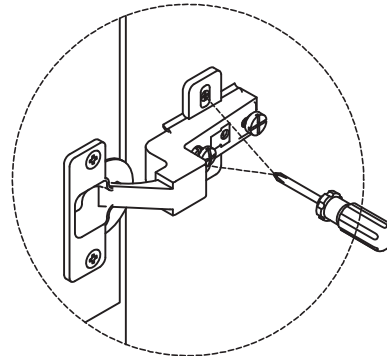
Step 15



To move door left or right, loosen screw as shown and move door to suit. Re-tighten screw.



To move door up or down, loosen screws as shown and move door to suit. Re-tighten screws.



To move door in or out, loosen screw as shown and move door to suit. Re-tighten screw.

