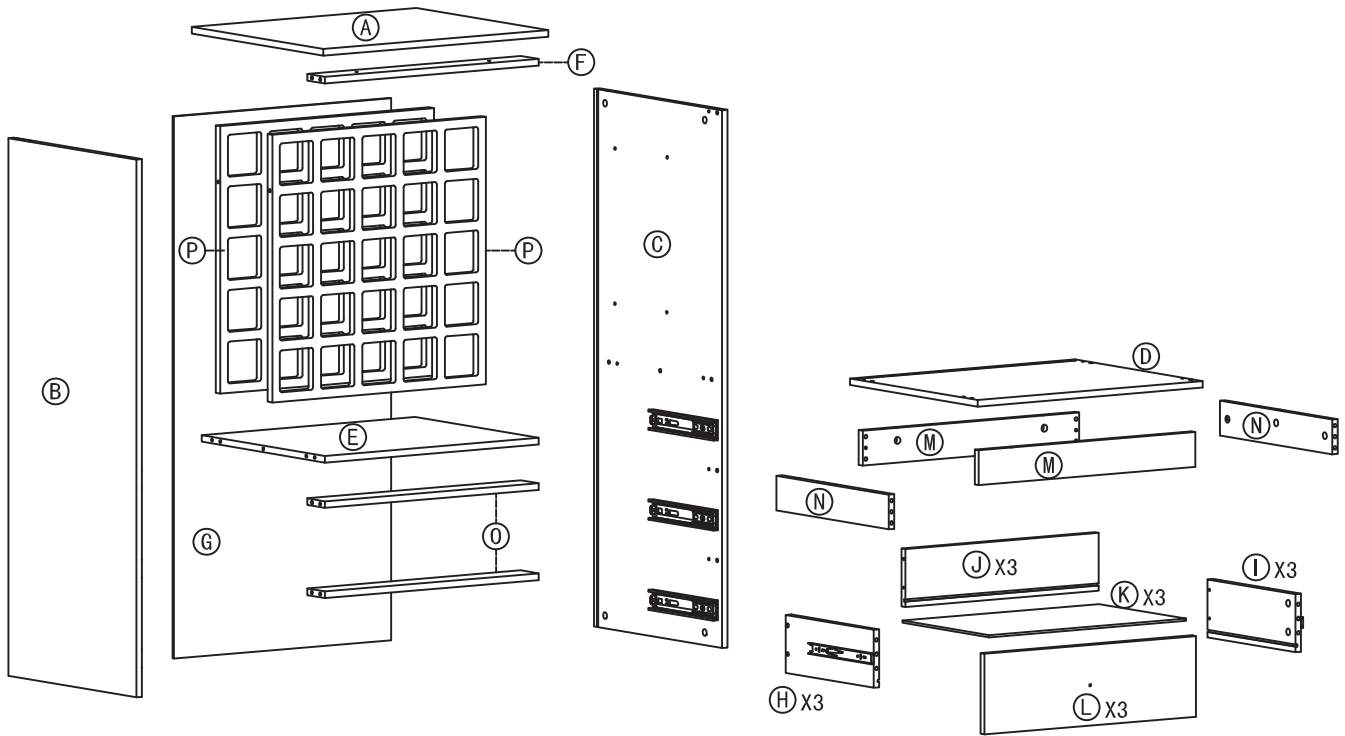
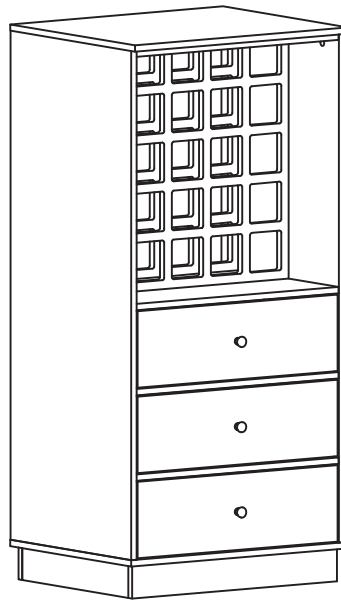










# Wine Cabinet

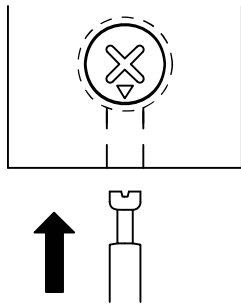
## Item no.97542/97544



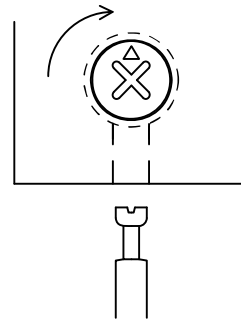
1		48 pcs	2		48 pcs	3		38 pcs	4		14 pcs
5		3 pcs	6		3 pcs	7		4 pcs	8		4 pcs

## CAM LOCK SYSTEM

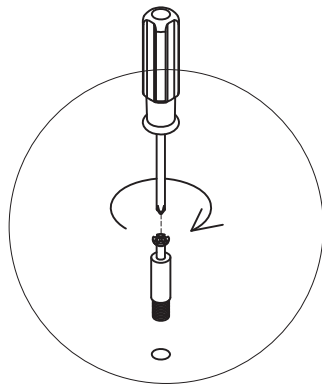
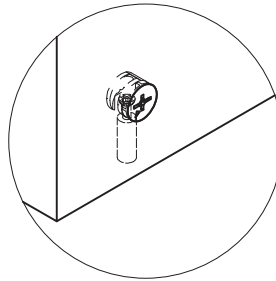
(1)



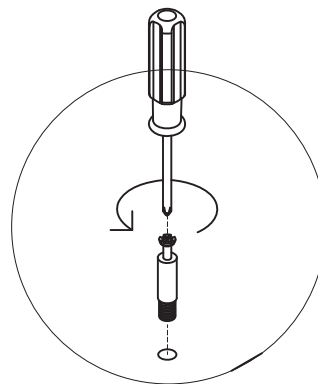
(2)



## IMPORTANT NOTE--CAM LOCK ADJUSTMENT

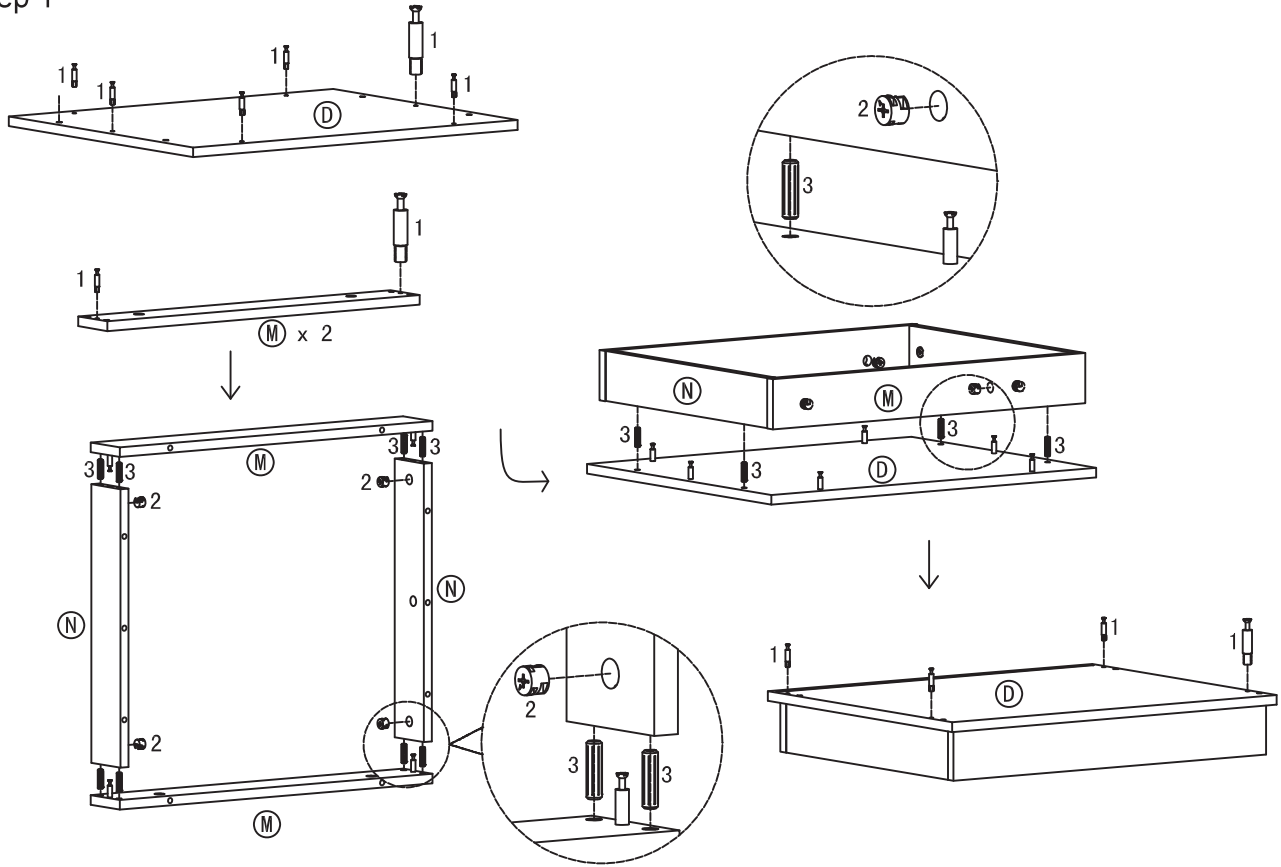


If Cam Lock  
is too loose,  
Please adjust Metal  
Dowel to turn right  
as drawing.

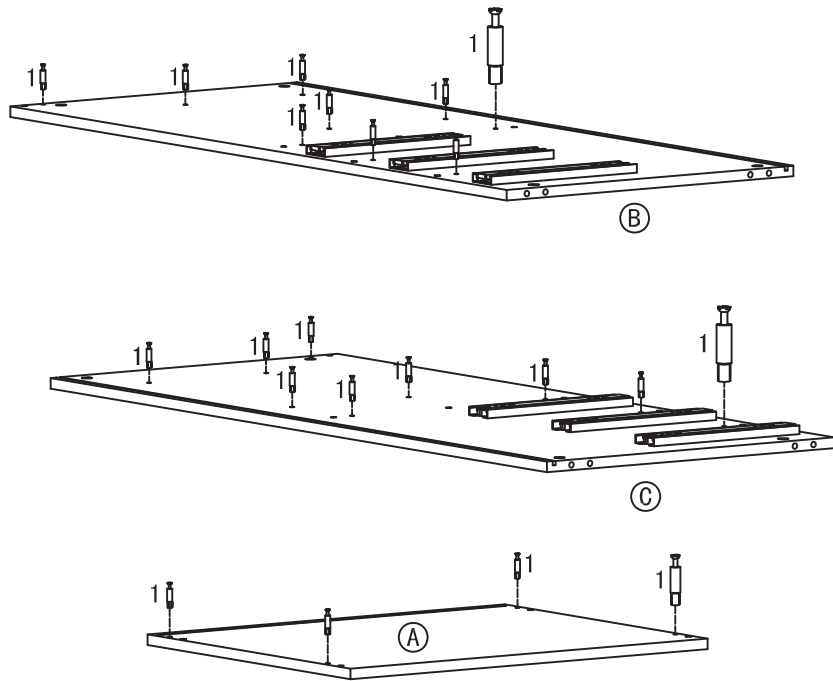


If Cam Lock  
is too tight,  
Please adjust Metal  
Dowel to turn left  
as drawing.

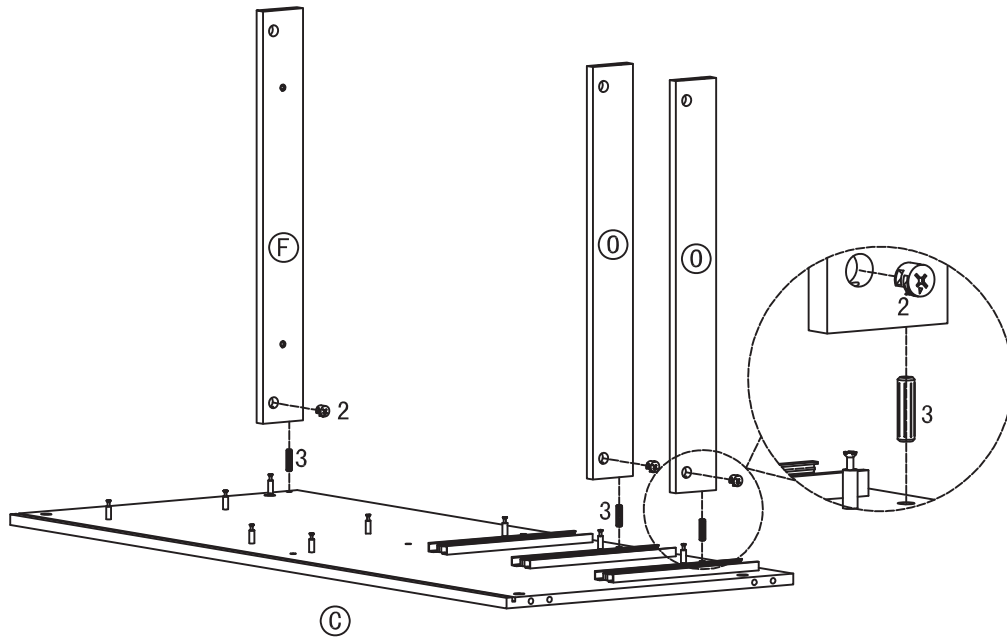
### Step 1



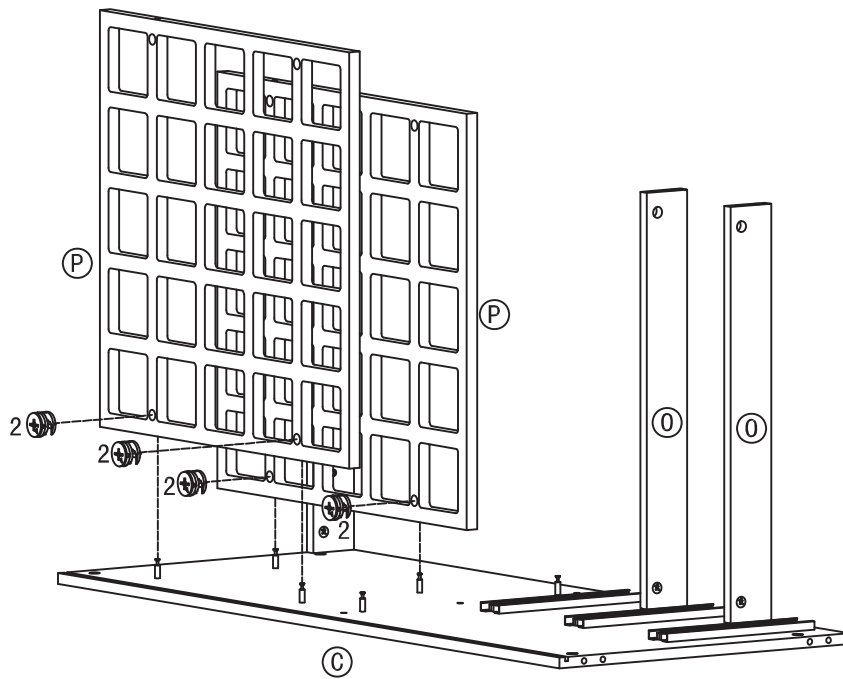
### Step 2



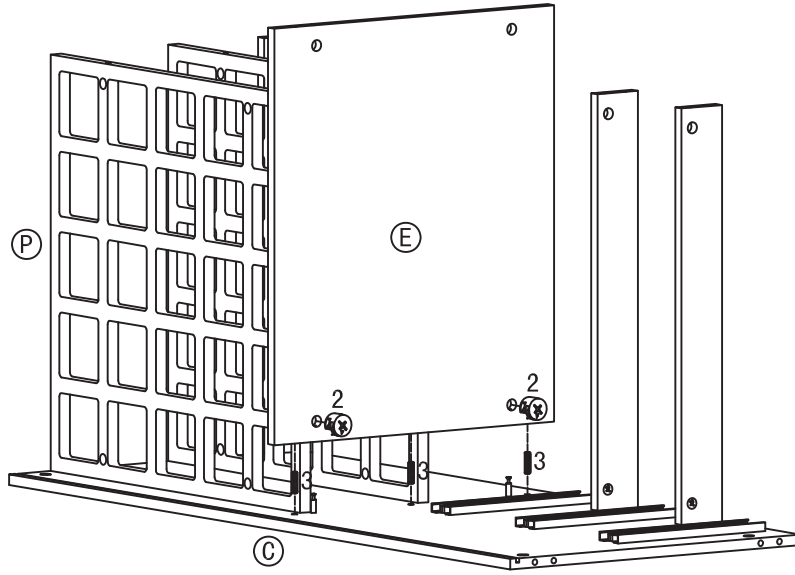
Step 3



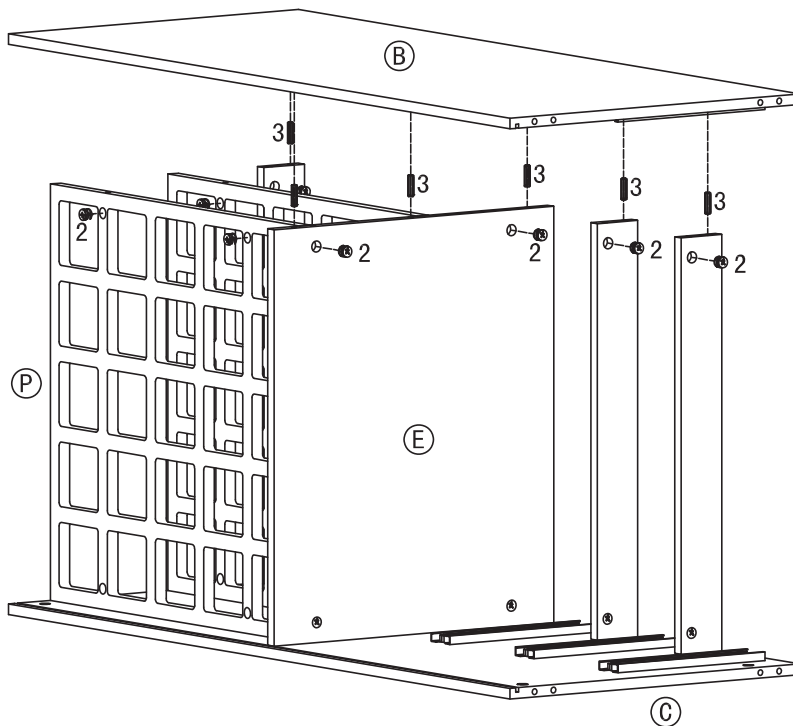
Step 4



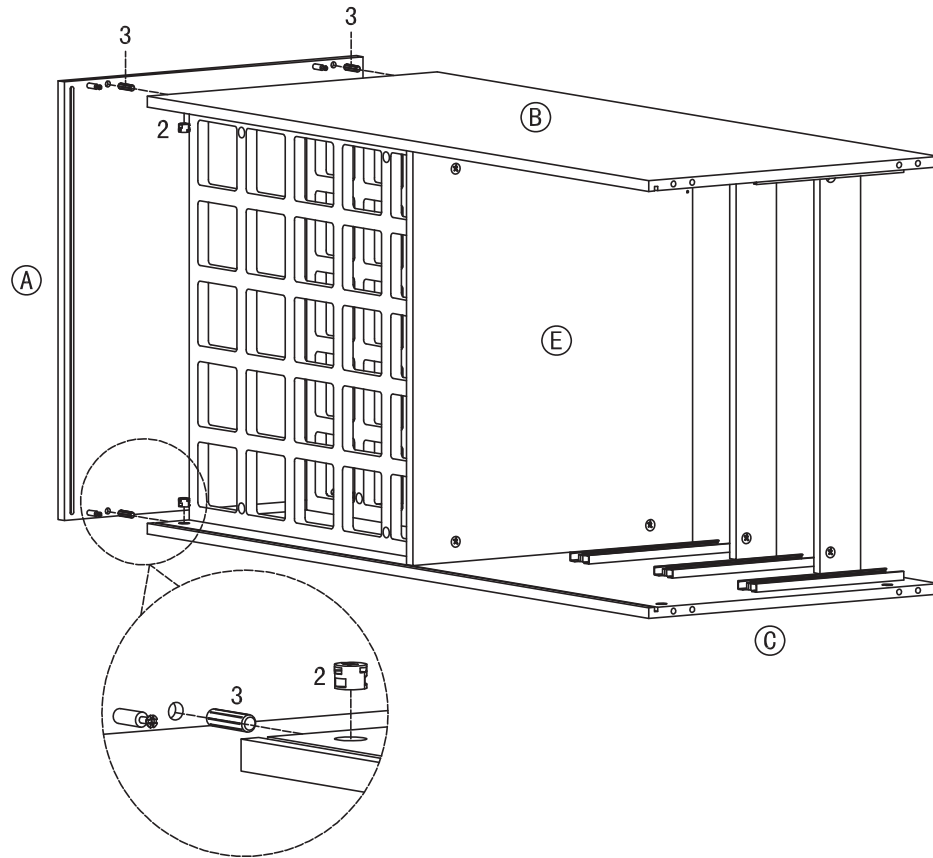
Step 5



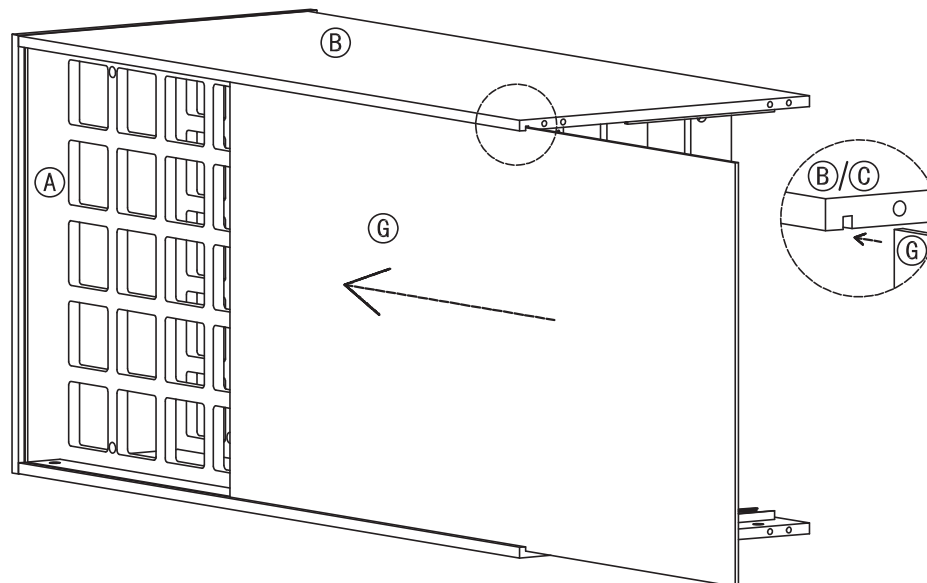
Step 6



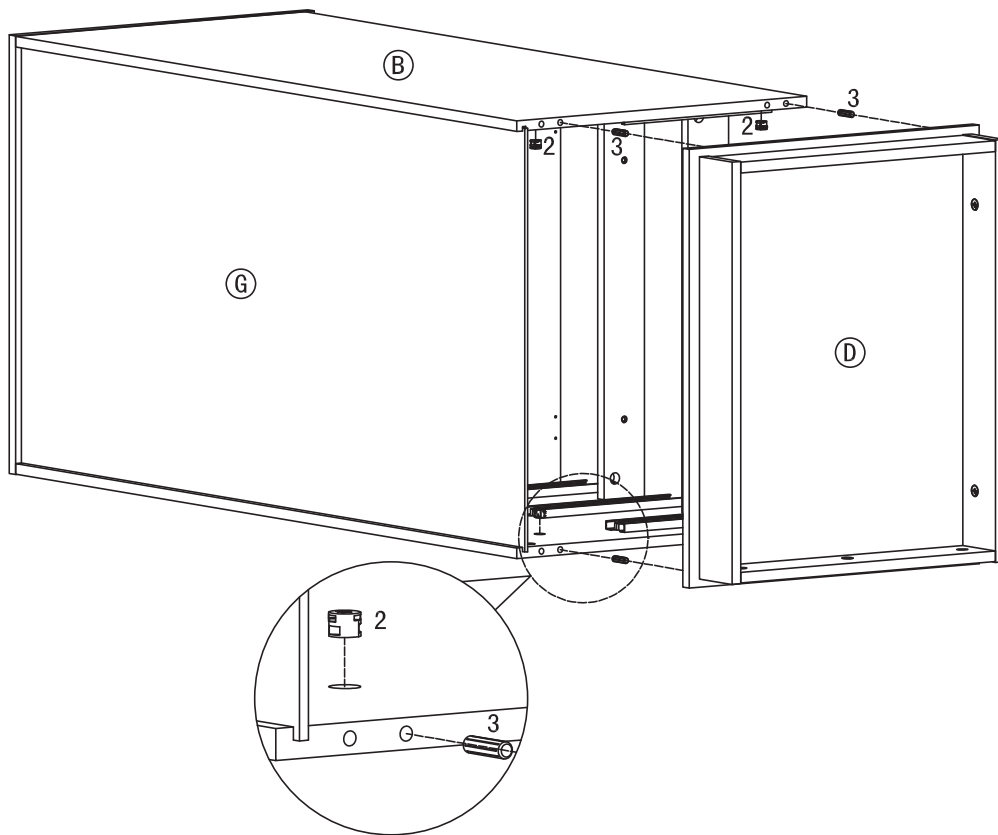
Step 7



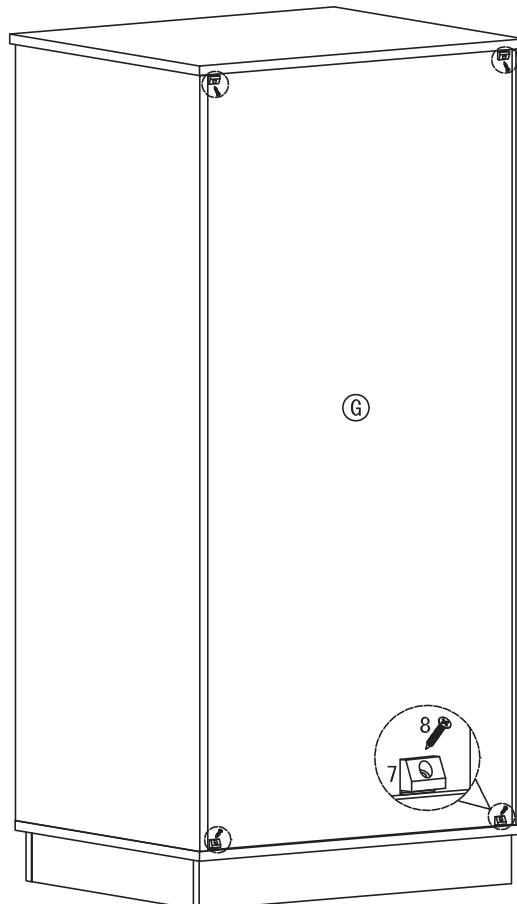
Step 8



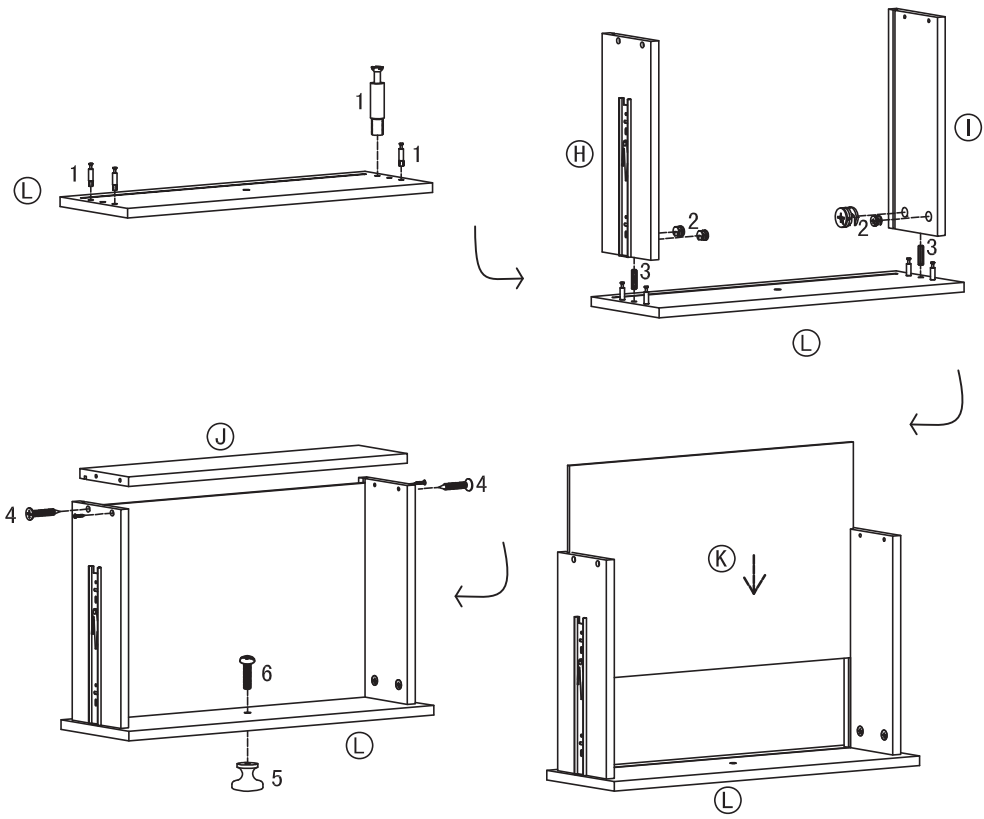
Step 9



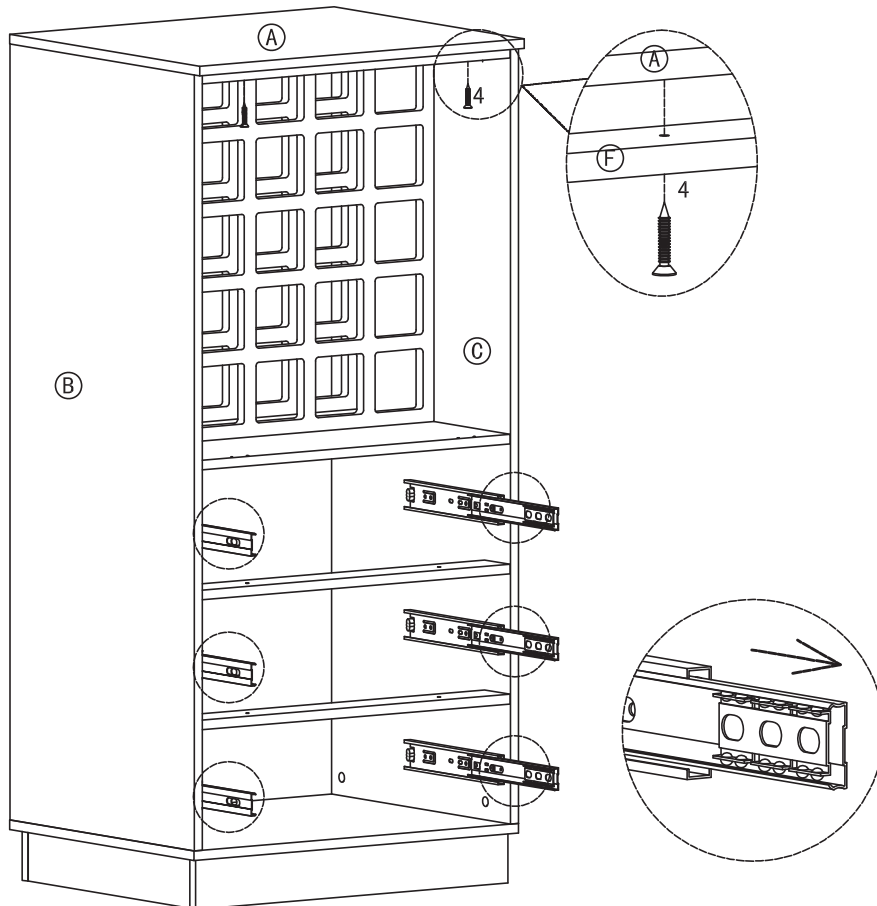
Step 10



Step 11  
x 3



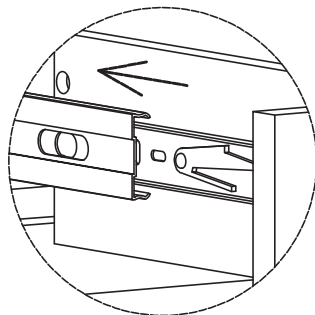
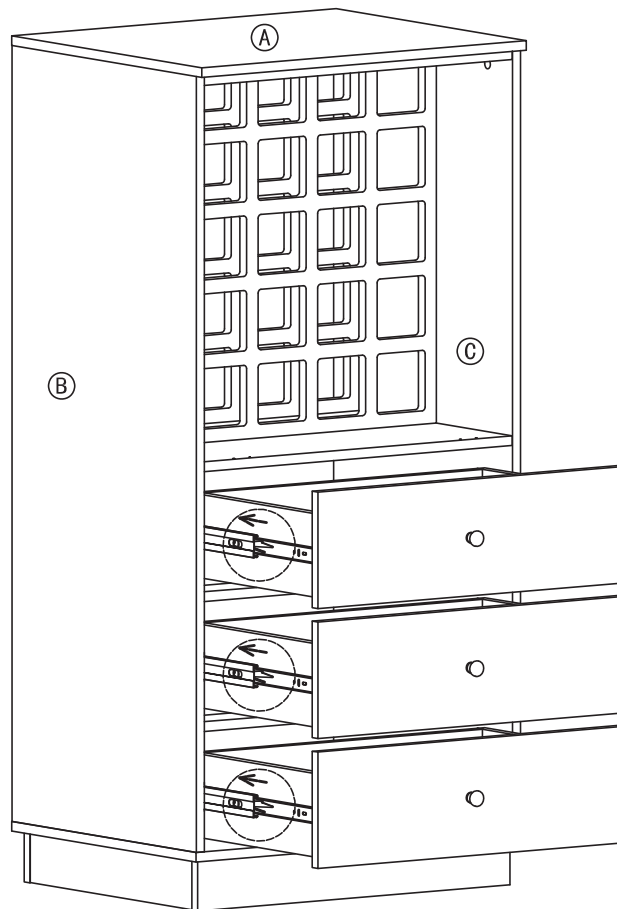
Step 12



Slide out the side panel drawer glides for proper insertion of the drawers.



Step 13



Line up the drawer glides on the drawers on both sides so that they enter evenly into the extended receiving side panel drawer glides as shown then gently push the drawer until the drawer is secure and slides in and out smoothly.