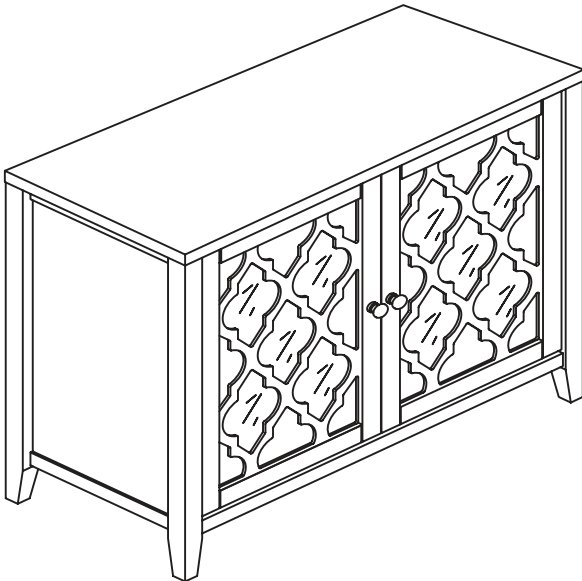
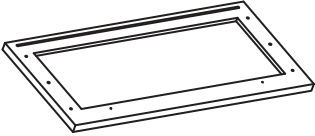
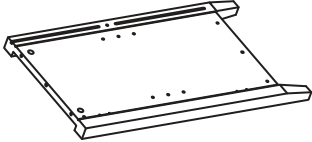
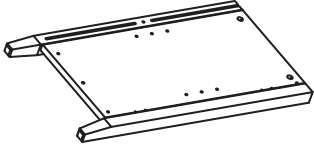

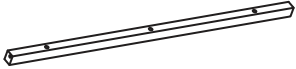

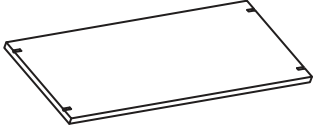
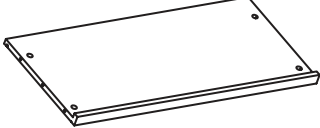
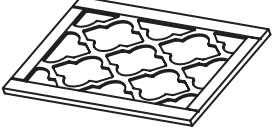














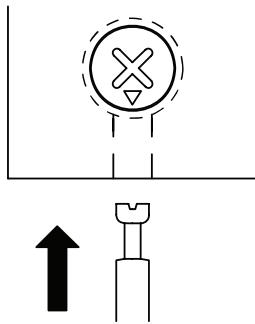
Cabinet



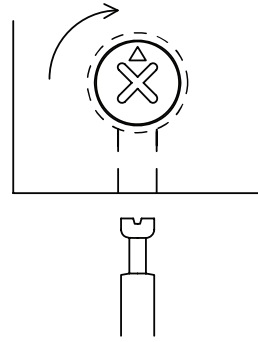
<p>A</p>  <p>1 pc</p>	<p>B</p>  <p>1 pc</p>	<p>C</p>  <p>1 pc</p>
<p>D</p>  <p>2 pcs</p>	<p>E</p>  <p>1 pc</p>	<p>F</p>  <p>1 pc</p>
<p>G</p>  <p>1 pc</p>	<p>H</p>  <p>1 pc</p>	<p>I</p>  <p>2 pcs</p>
<p>1</p>  <p>4 pcs</p>	<p>2</p>  <p>12 pcs</p>	<p>3</p>  <p>12 pcs</p>
<p>4</p>  <p>2 pcs</p>	<p>5</p>  <p>2 pcs</p>	<p>6</p>  <p>2 pcs</p>
<p>7</p>  <p>4 pcs</p>	<p>8</p>  <p>4 pcs</p>	<p>9</p>  <p>4 pcs</p>
<p>10</p>  <p>4 pcs</p>	<p>11</p>  <p>16 pcs</p>	<p>12</p>  <p>2 pcs</p>

CAM LOCK SYSTEM

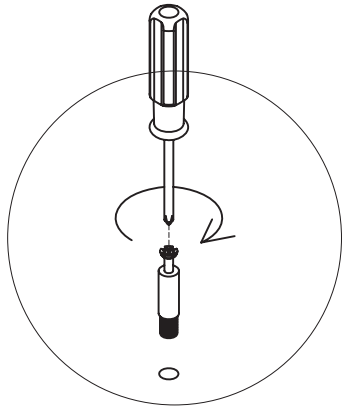
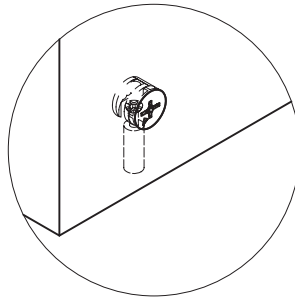
(1)



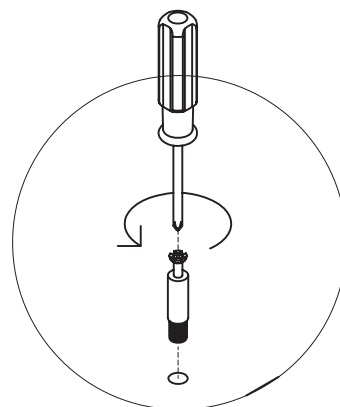
(2)



IMPORTANT NOTE--CAM LOCK ADJUSTMENT

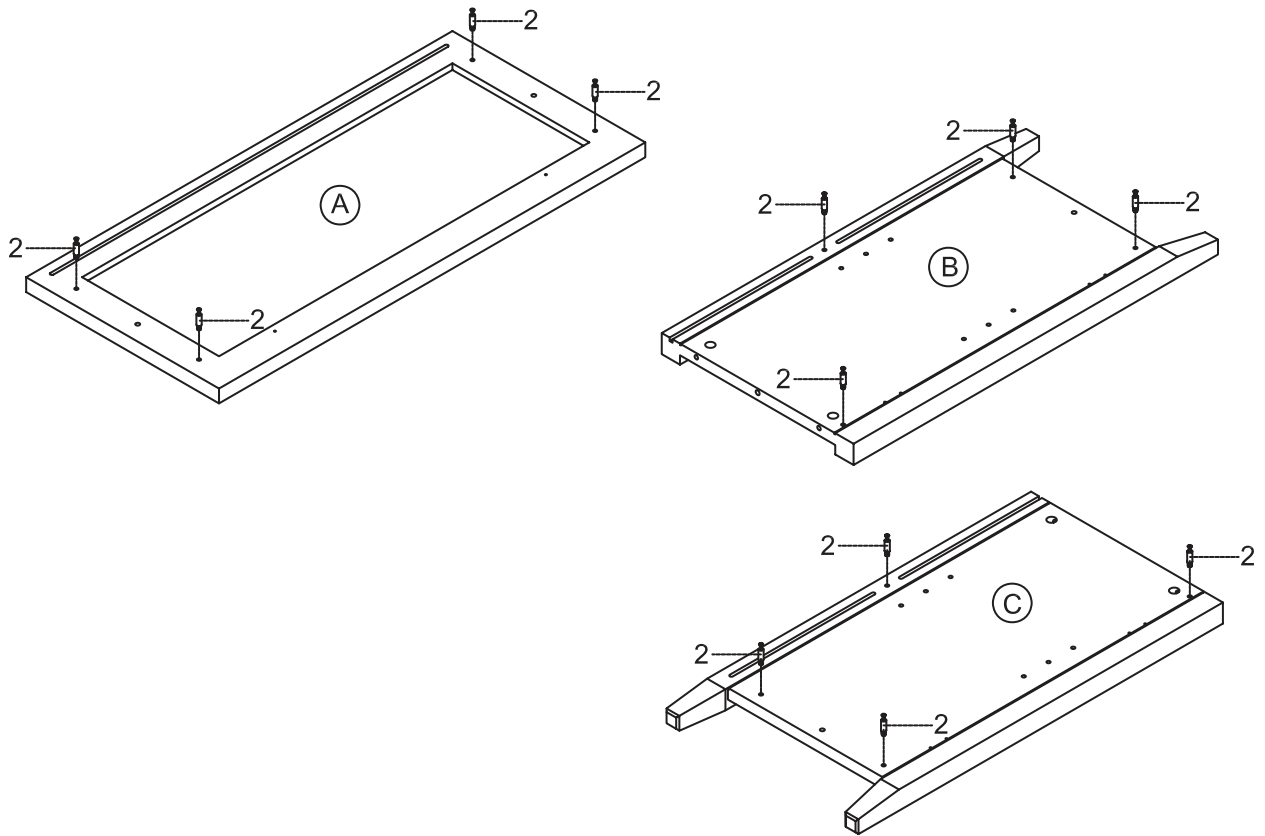


If Cam Lock
is too loose,
Please adjust Metal
Dowel to turn right
as drawing.

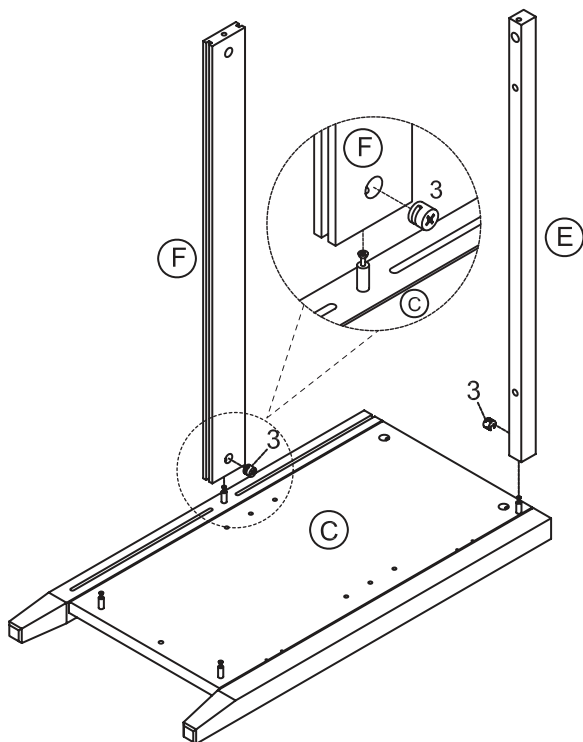


If Cam Lock
is too tight,
Please adjust Metal
Dowel to turn left
as drawing.

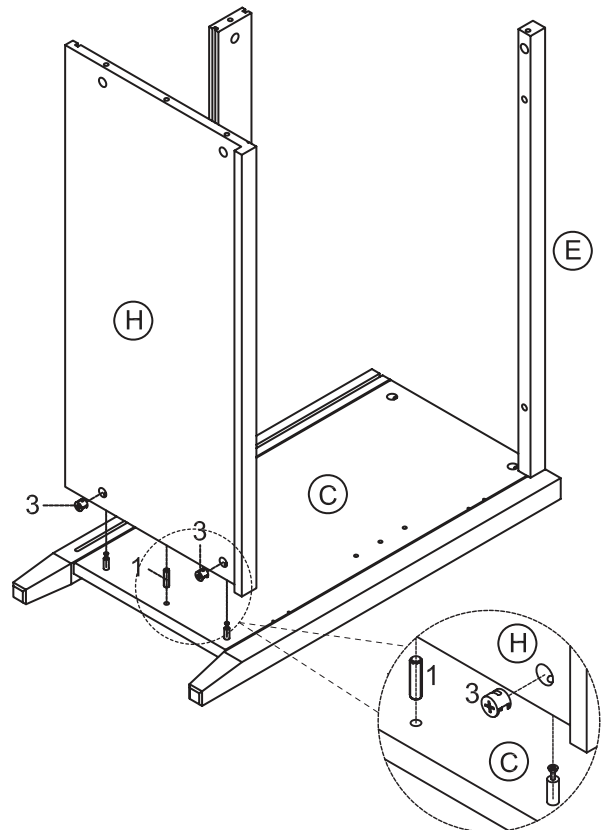
Step 1



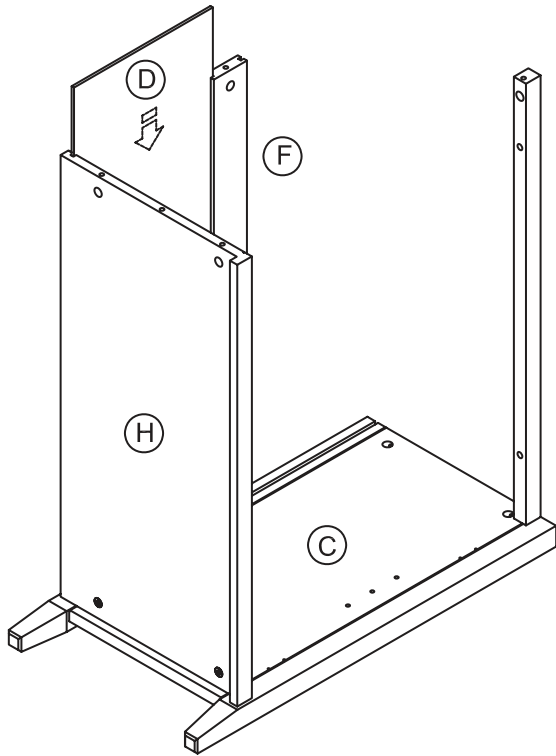
Step 2



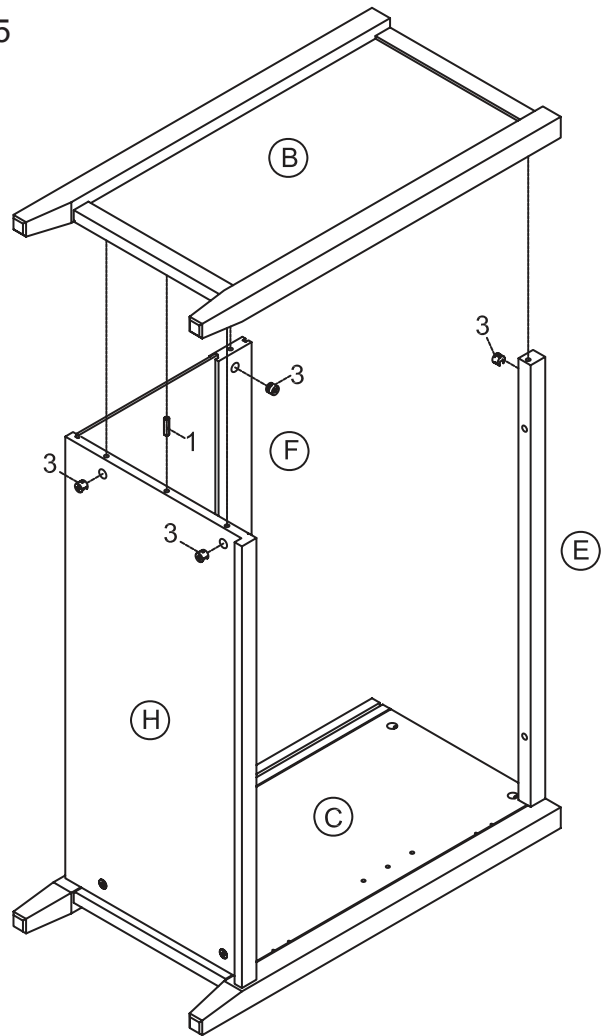
Step 3



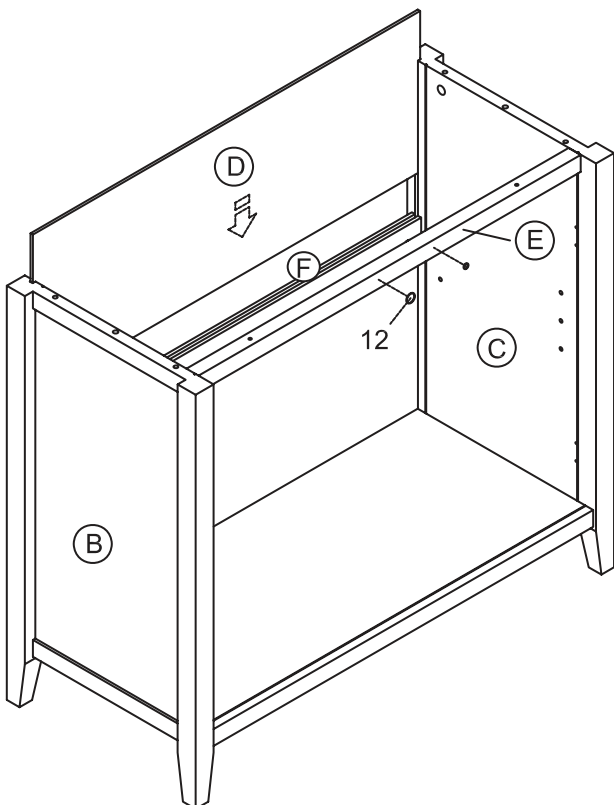
Step 4



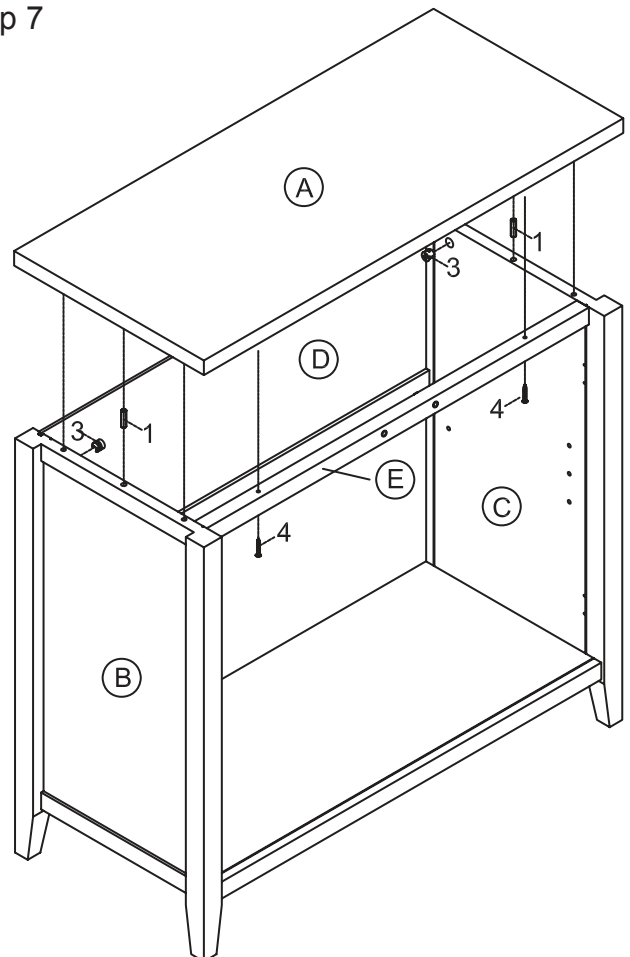
Step 5



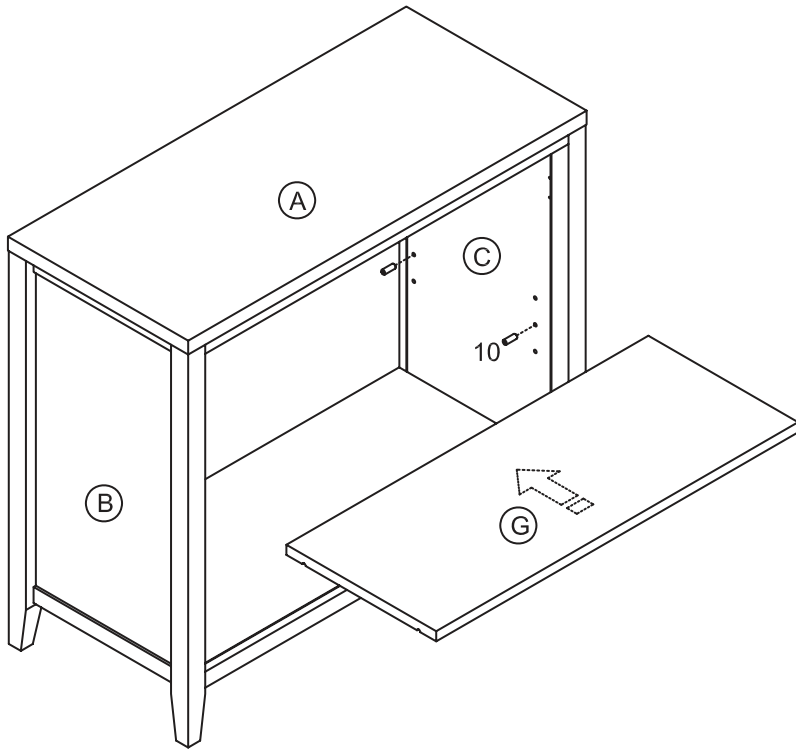
Step 6



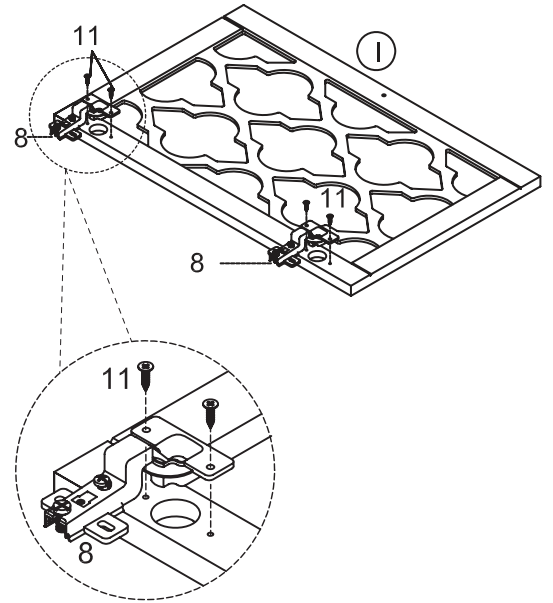
Step 7



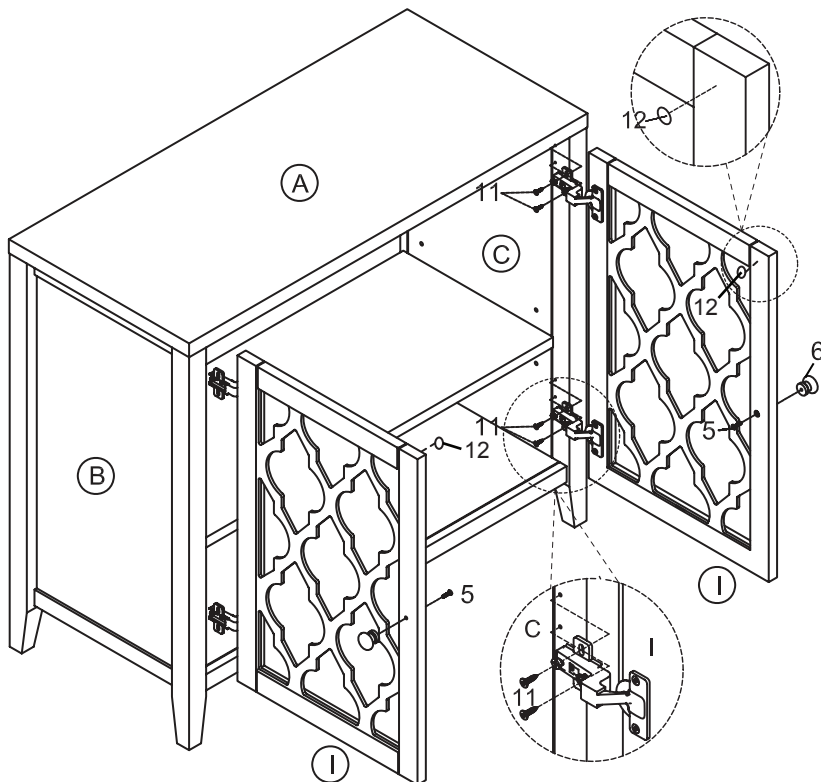
Step 8



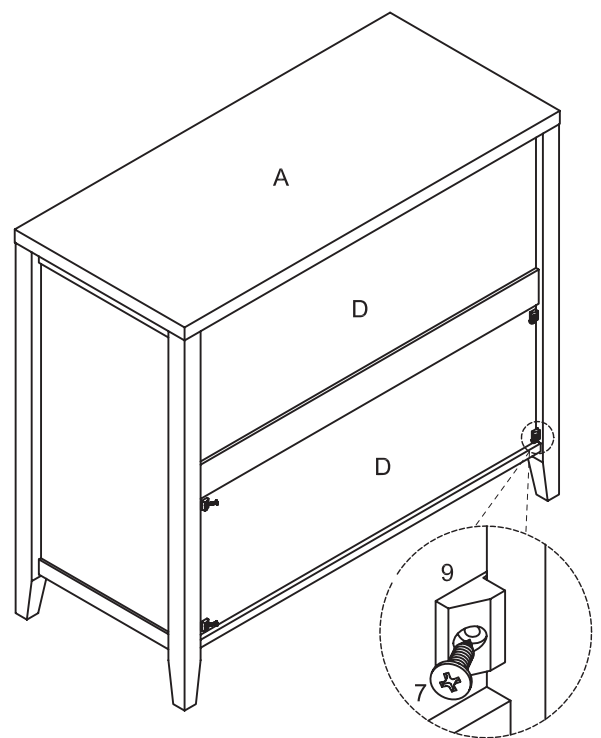
Step 9



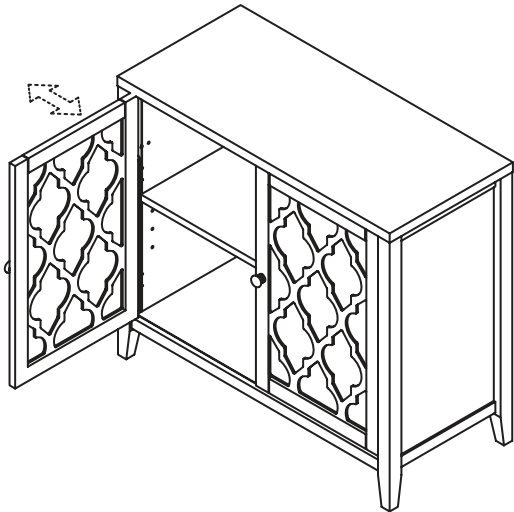
Step 10



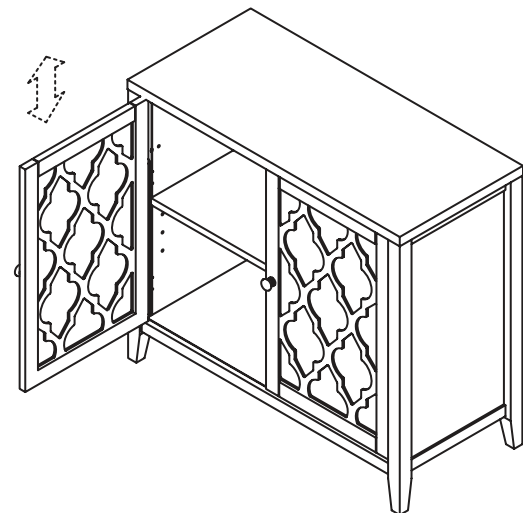
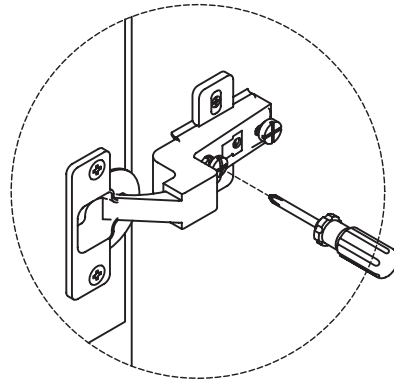
Step 11



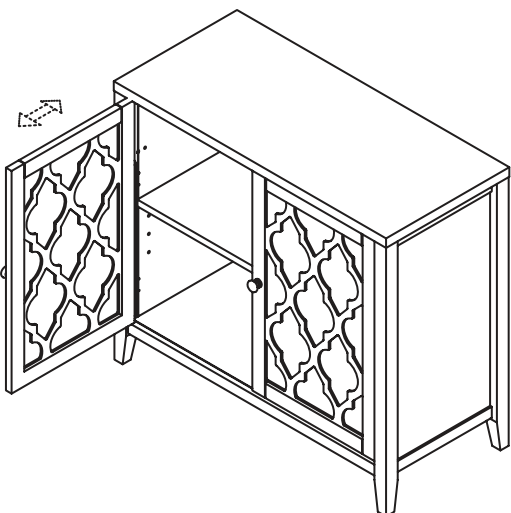
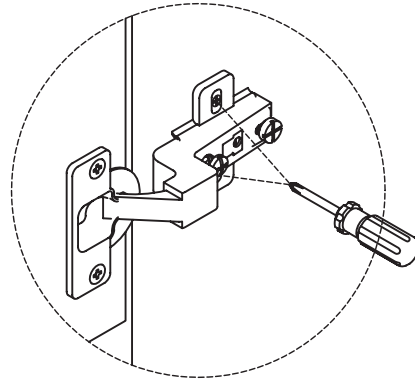
Step 12



To move doors left or right, loosen screw as shown and move doors to suit. Re-tighten screw.



To move doors up or down, loosen screws as shown and move doors to suit. Re-tighten screws.



To move doors in or out, loosen screw as shown and move doors to suit. Re-tighten screw.

