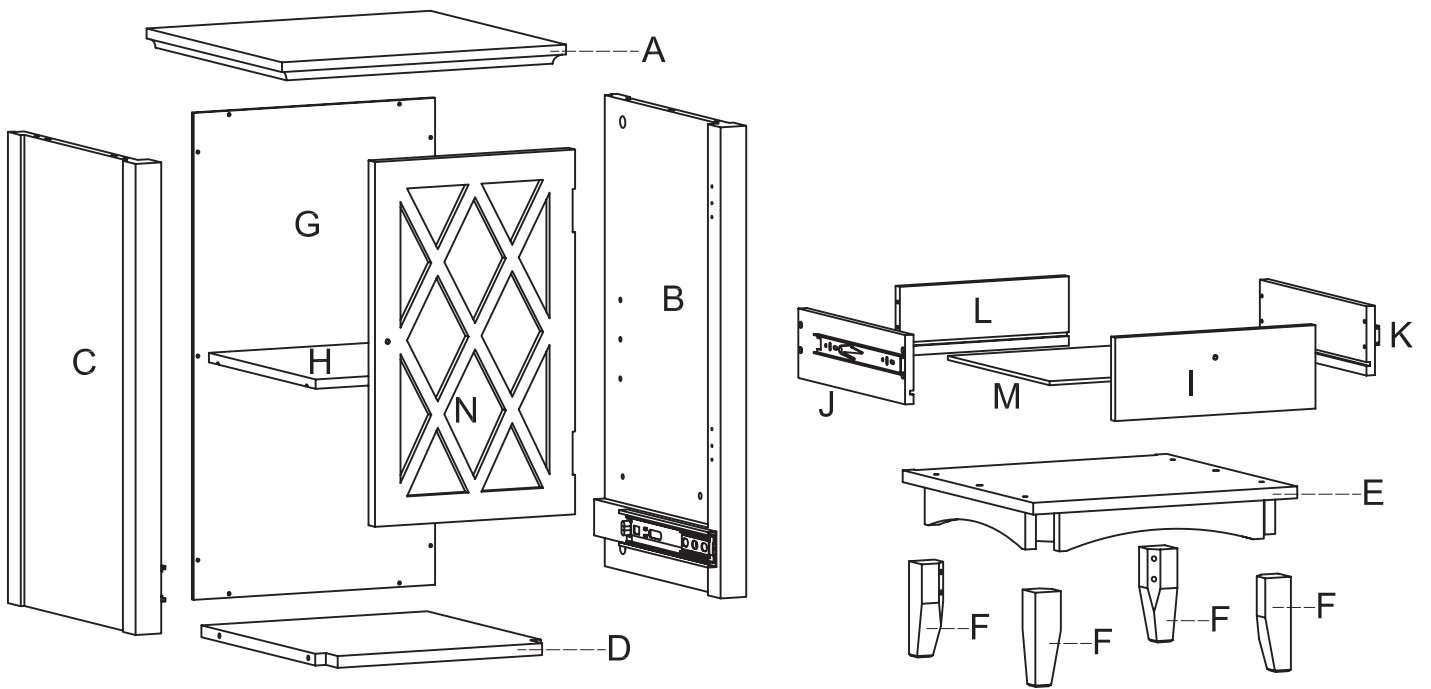
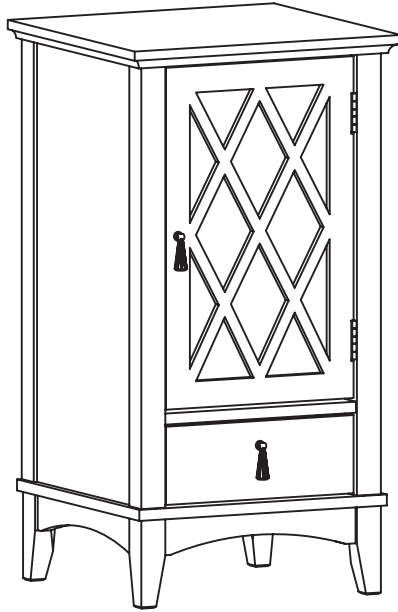

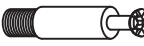

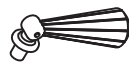




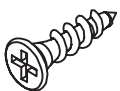









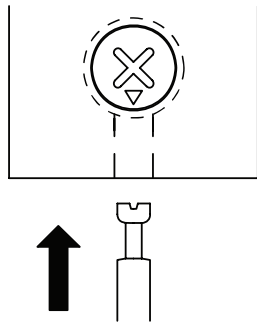
Cabinet



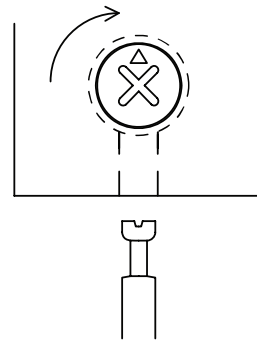
1		8 pcs	2		8 pcs	3		8 pcs	4		2 pcs
5		2 pcs	6		8 pcs	7		8 pcs	8		1 pc
9		8 pcs	10		16 pcs	11		10 pcs	12		2 pcs
13		4 pcs	14		1 pc	15		1 pc	16		1 set

CAM LOCK SYSTEM

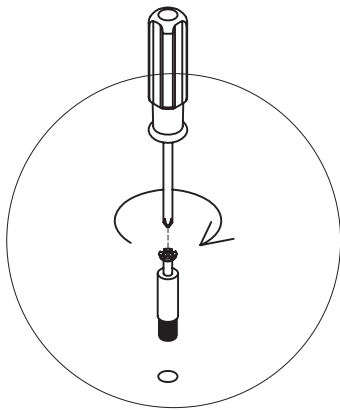
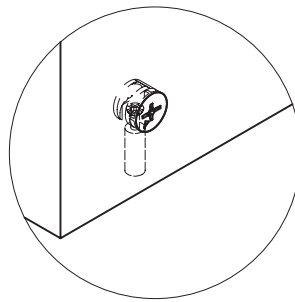
(1)



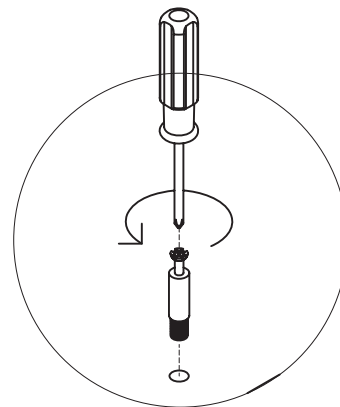
(2)



IMPORTANT NOTE--CAM LOCK ADJUSTMENT

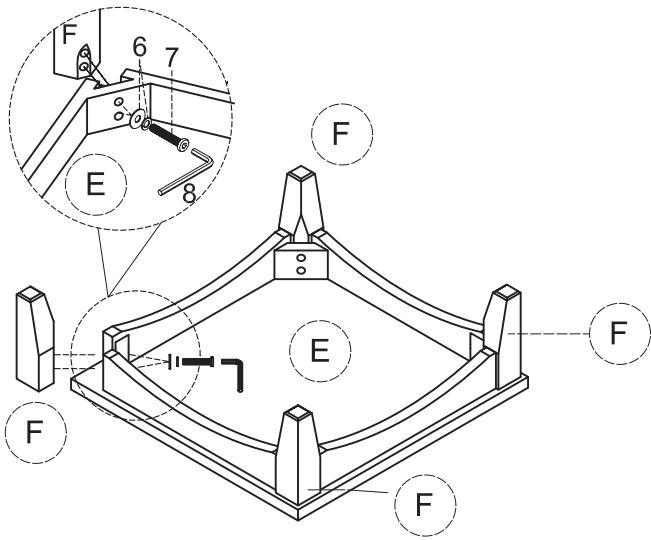


If Cam Lock
is too loose,
Please adjust Metal
Dowel to turn right
as drawing.

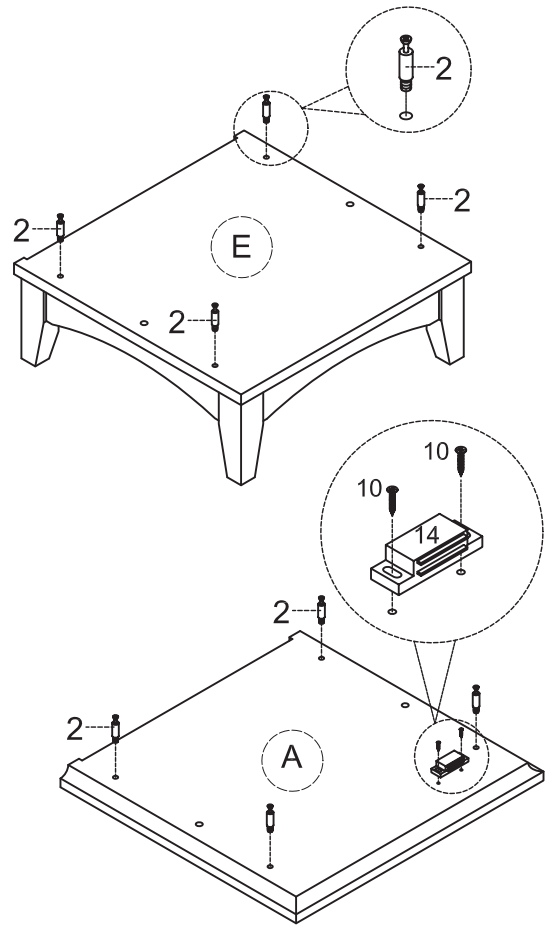


If Cam Lock
is too tight,
Please adjust Metal
Dowel to turn left
as drawing.

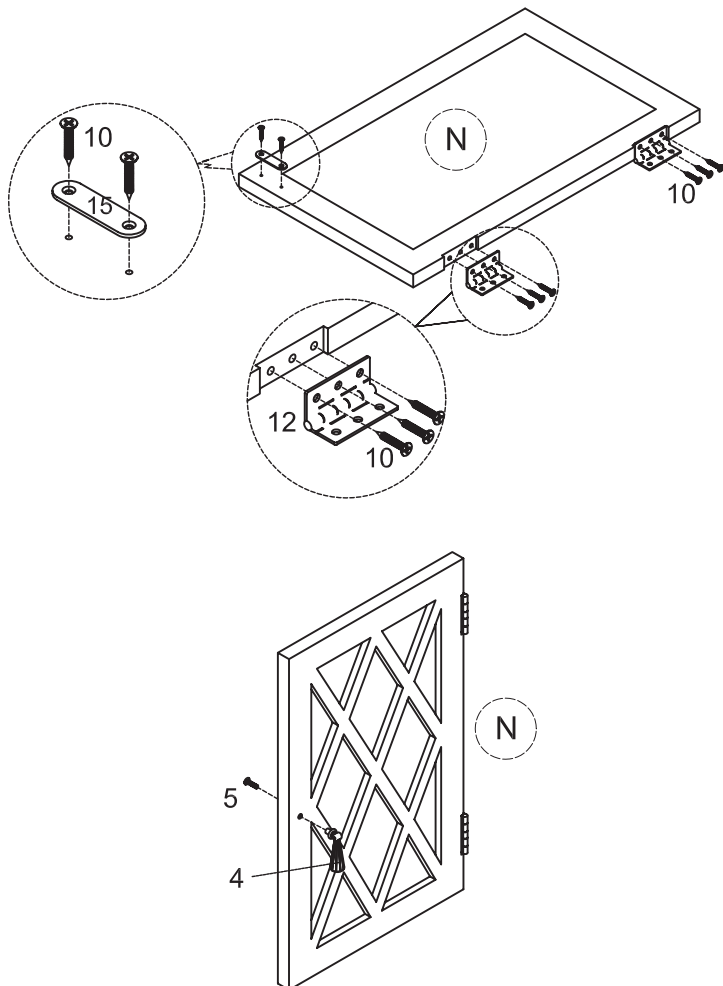
Step 1



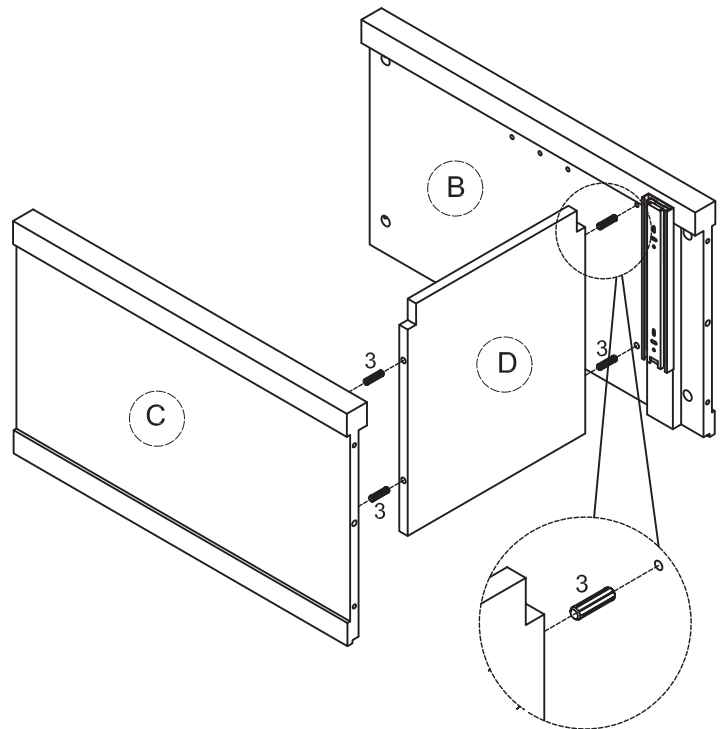
Step 2



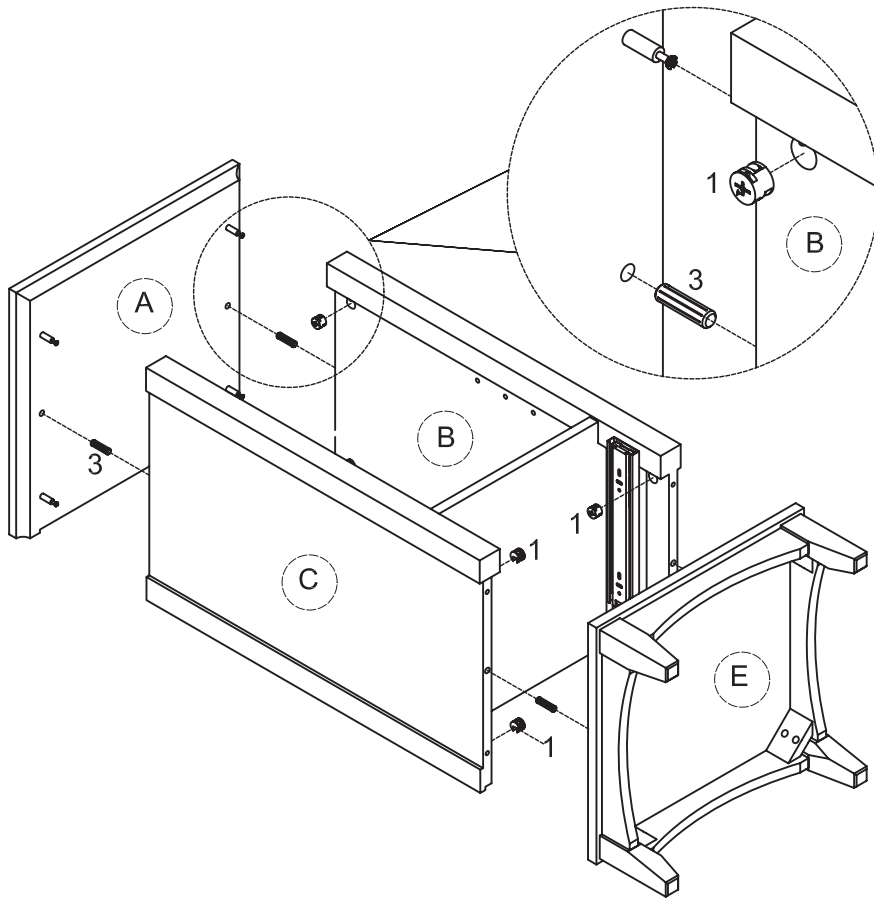
Step 3



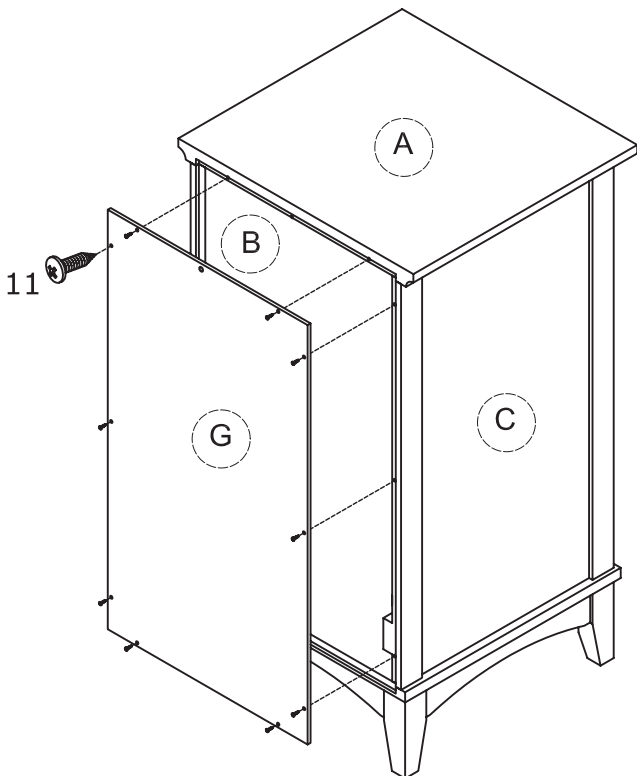
Step 4



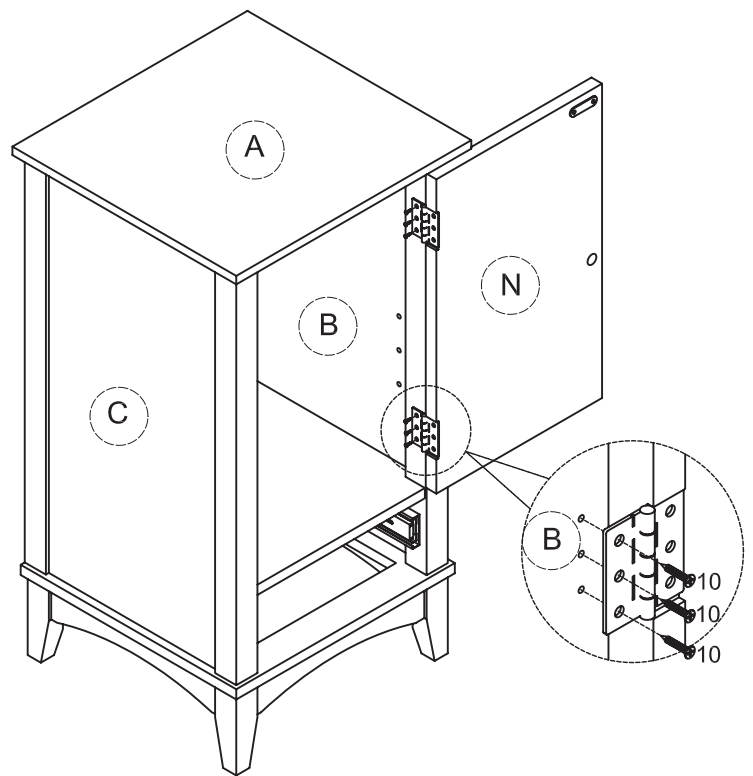
Step 5



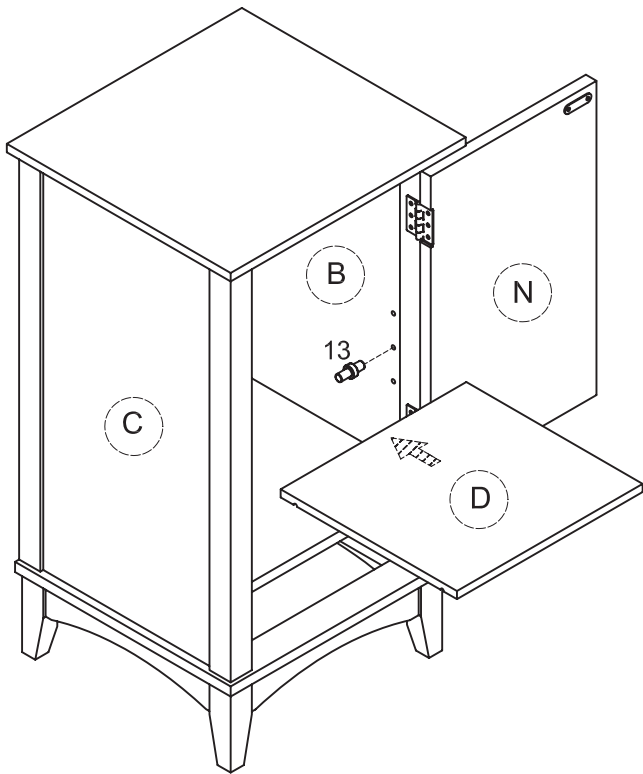
Step 6



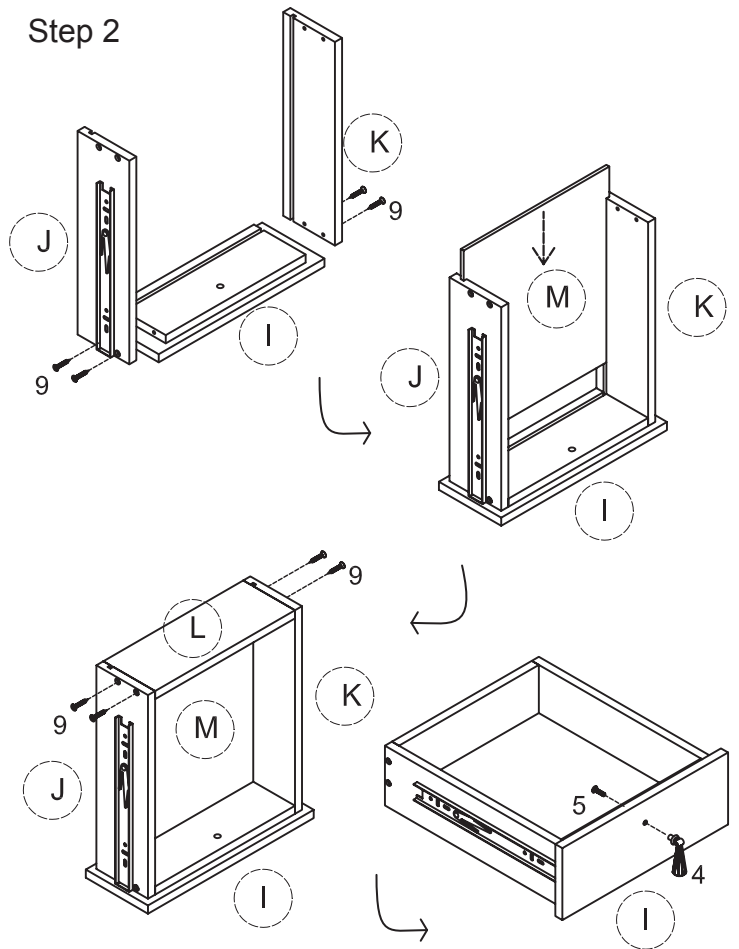
Step 7



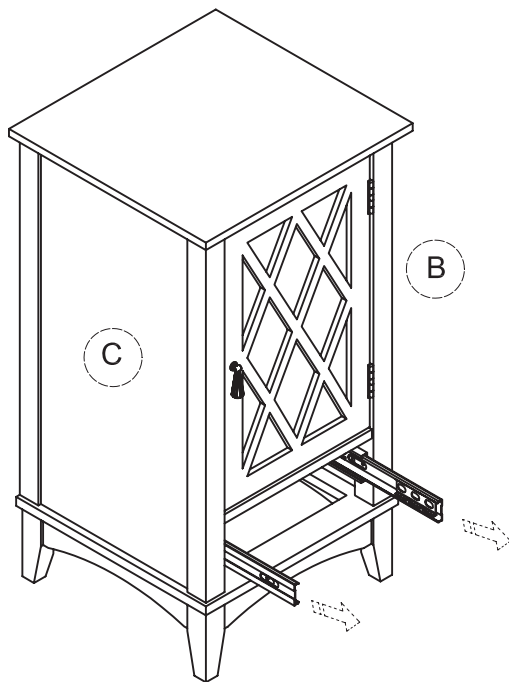
Step 1



Step 2

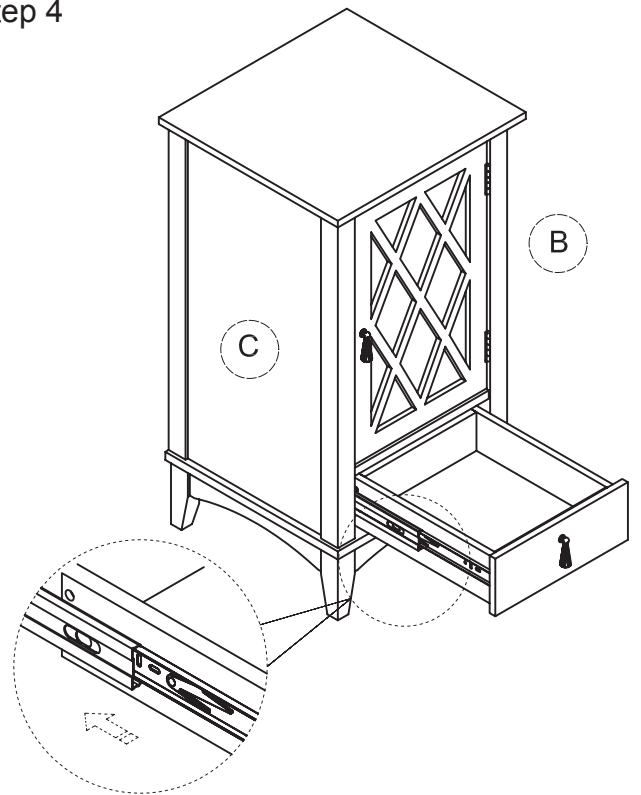


Step 3




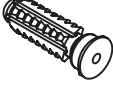




Slide out the side panel drawer glides for proper insertion of the drawers.

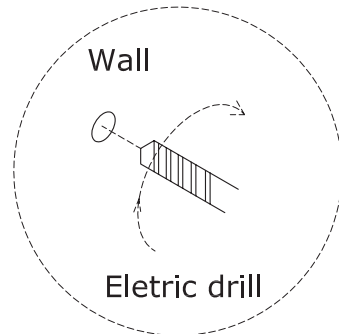
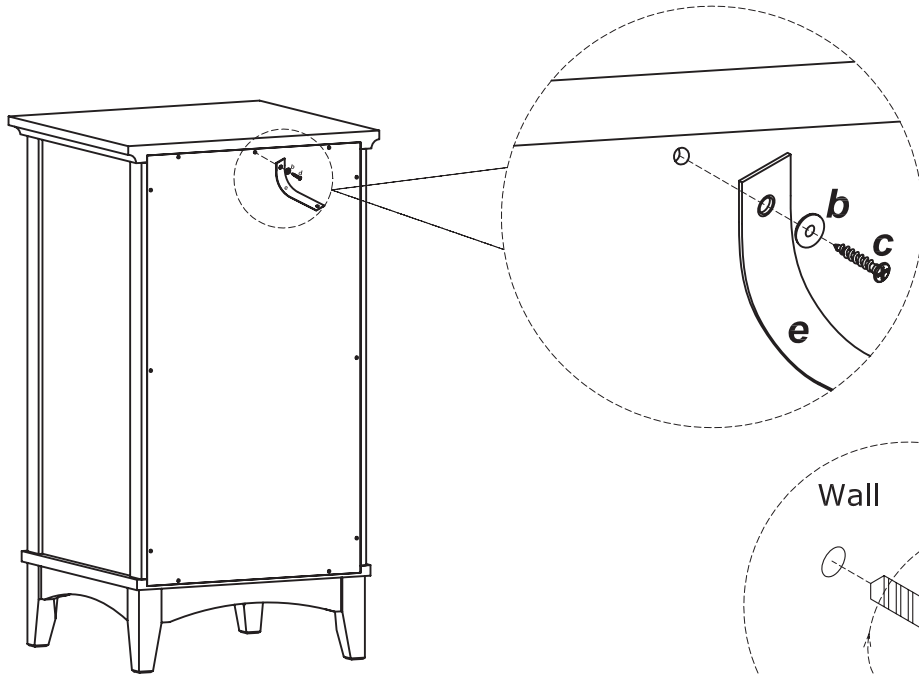
Step 4



Line up the drawer glides on the drawers on both sides so that they enter evenly into the extended receiving side panel drawer glides as shown then gently push in the drawer until the drawer is secure and slides in and out smoothly.

Step 1

16		a 	b 	c 	d 	e 
	Safety strap kit 1 set	1 PC	2 PCS	Ø4*19 1 PC	Ø4*40 1 PC	1 PC



Wall

