

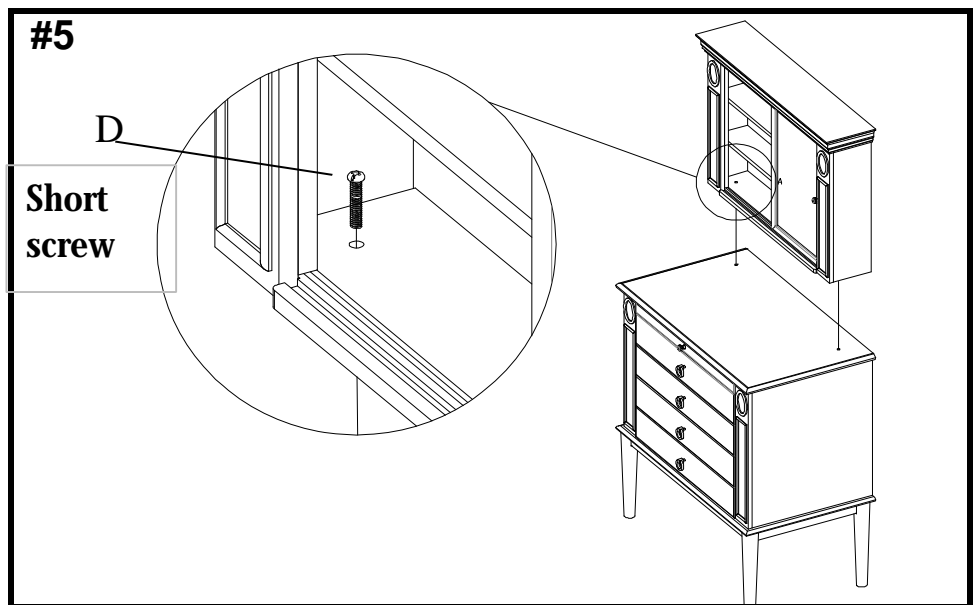
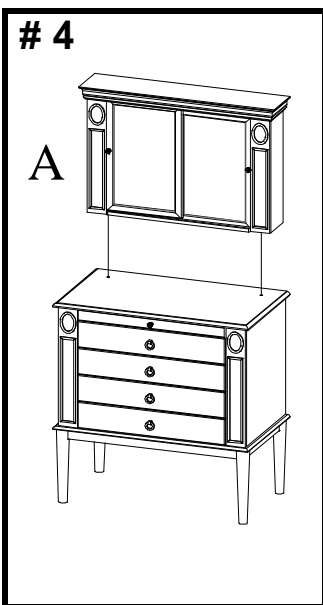
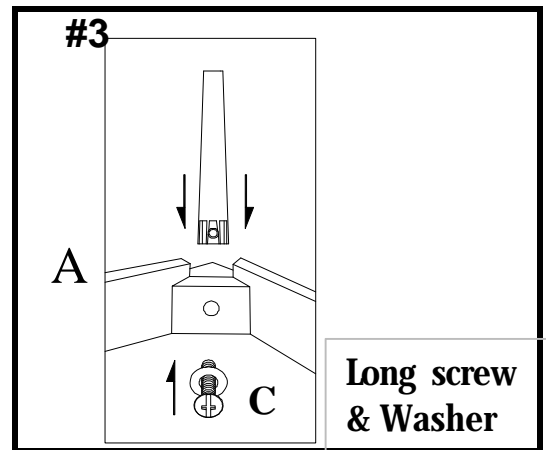
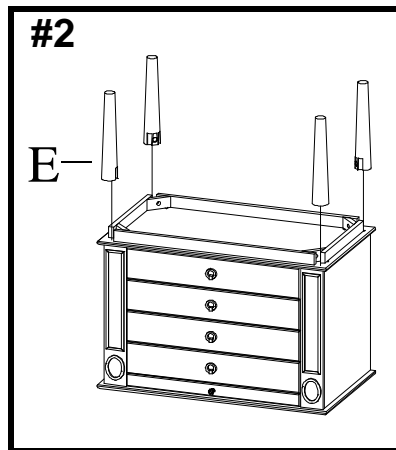
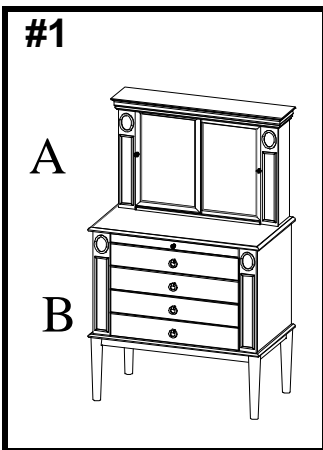
# ASSEMBLY INSTRUCTION

## ITEM NO# 97220 JEWELRY ARMOIRE

Thank you for purchasing this quality product. Be sure to check all packing material carefully for small parts which may have come loose inside the carton during shipment. Separate, identify, and count all parts and metal hardware. Compare with parts list to be sure all parts are present.

### PARTS

- (A) Dresser Hutch /
- (B) Dresser Base ( 1 piece )
- (C) Long Screw/ Washer ( 4 sets )
- (D) short screw ( 2 pieces )
- (#E) Leg ( 4 Pieces )



MADE IN TAIWAN