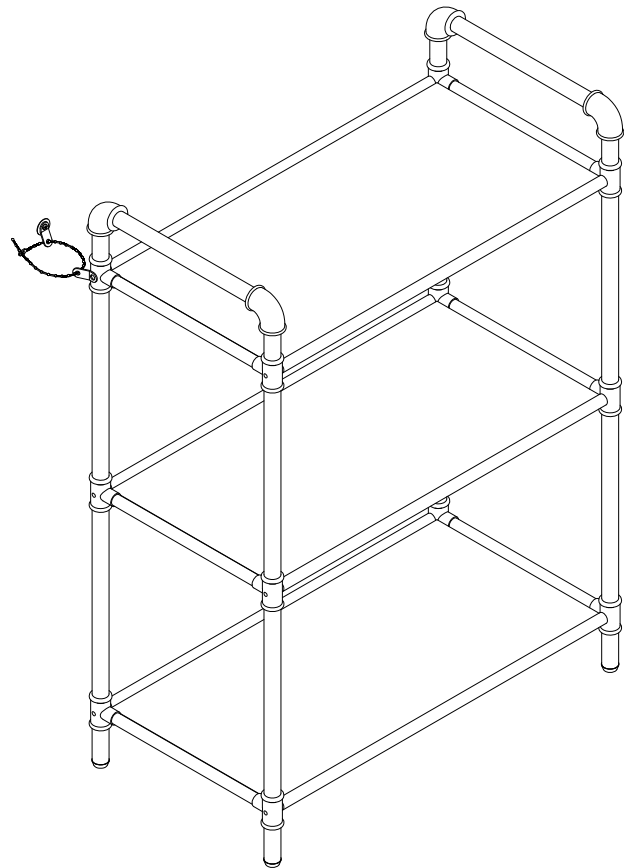


ASSEMBLY INSTRUCTIONS

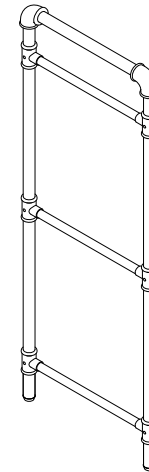
Item No.:97162



Do not tighten screws until completely assembled.

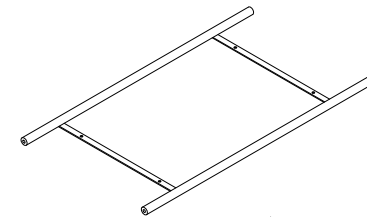
PARTS IDENTIFICATION

A



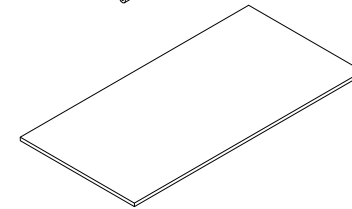
2pcs

B










3pcs

C

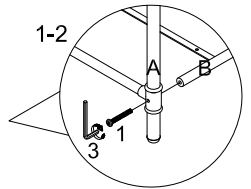
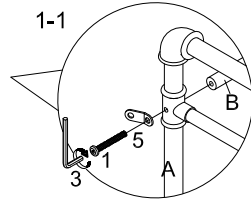
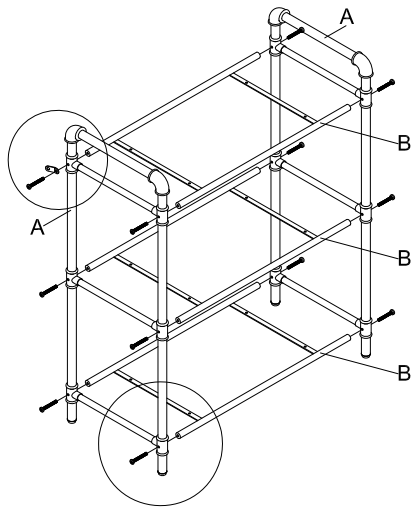




3pcs

HARDWARE LIST

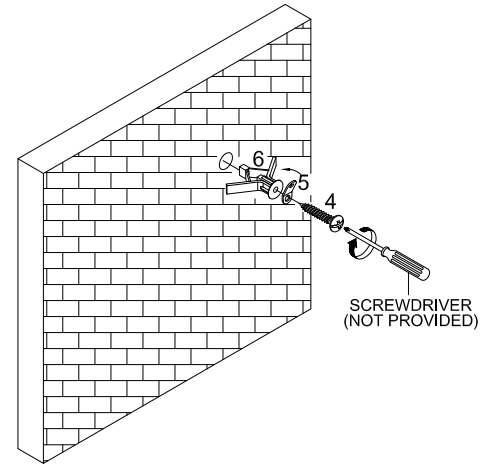
1		12pcs	2		12pcs	3		1pc
4		1pc	5		2pcs	6		1pc
7		1pc						




STEP 1.



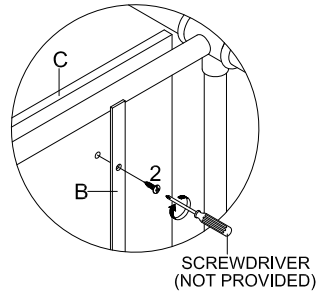
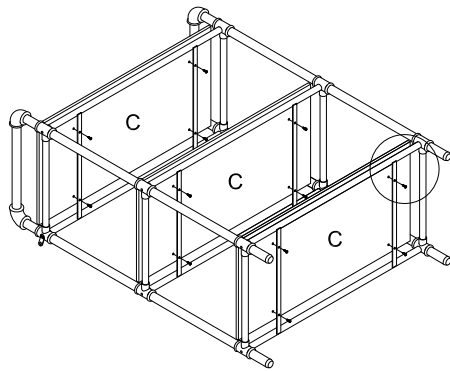
1		12pcs
M6x45		
5		1pc


STEP 3.



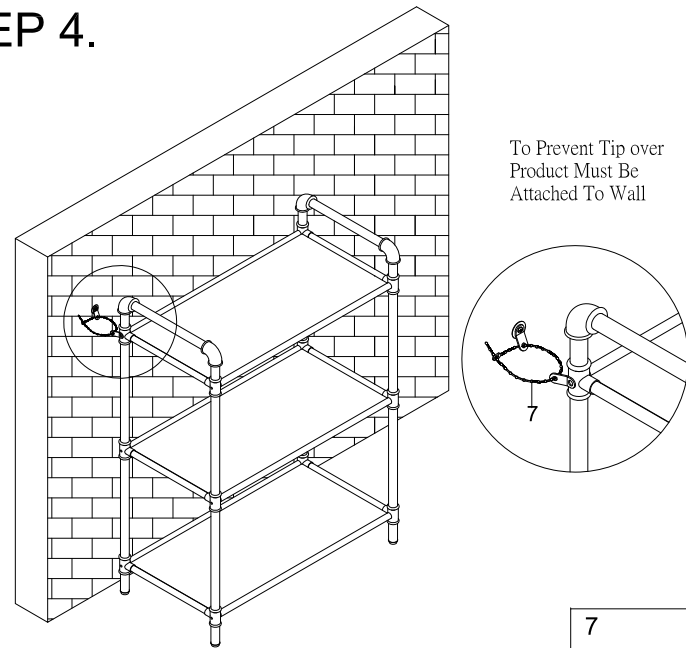
4		1pc
M4x37		
5		1pc
6		1pc


STEP 2.



2		12pcs
M5x10		

STEP 4.



7		1pc
---	---	-----