

# ASSEMBLY INSTRUCTIONS

## MODEL : SADDLE STOOL

ITEM : 96649/96650/96651/96652/96653/96654/96655/96656




Read instructions carefully. Remove all wrapping material, staples and packing straps from the carton. See Hardware and Furniture Part for guidance. Be sure you have all part before you start assembling. Place all wooden furniture part on a clean and flat soft surface, such as carpet or rug to prevent from being scratched.

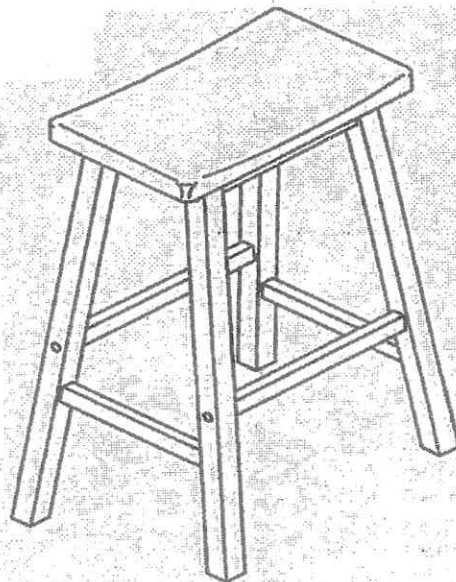
CAUTIONS : (1) DO NOT FULLY-TIGHTEN THE NUTS OR BOLTS INITIALLY UNTIL ALL THE NUTS OR BOLTS IS READY TO BE ASSEMBLE  
( TO AVOID CAUSING DAMAGES TO THE THREAD, DO NOT OVER-TIGHTEN THE NUTS OR BOLTS.)  
(2) KEEP ALL HARDWARE PARTS OUT OF REACH OF CHILDREN.

### PARTS LIST (FOR 2 NOS.OF STOOL)

NO	COMPONENT	QTY
1	SEATER	2
2	LEG FRAME	4
3	STRETCHER	4

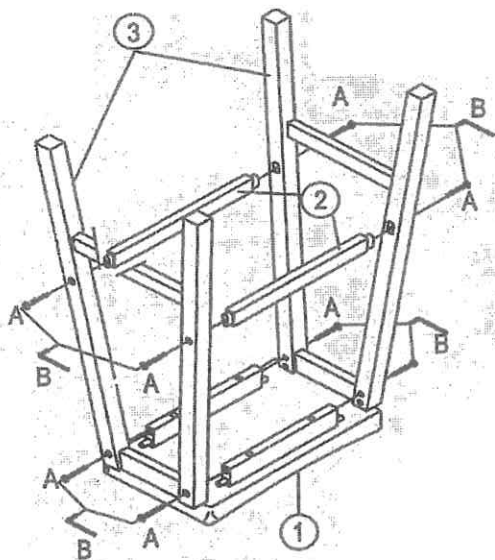
### HARDWARE LIST (FOR 2 NOS.OF STOOL)

NO	DESCRIPTION	QTY
A	SCREW 	16
B	ALLEN KEY 	1
C	WOOD BUTTON 	16

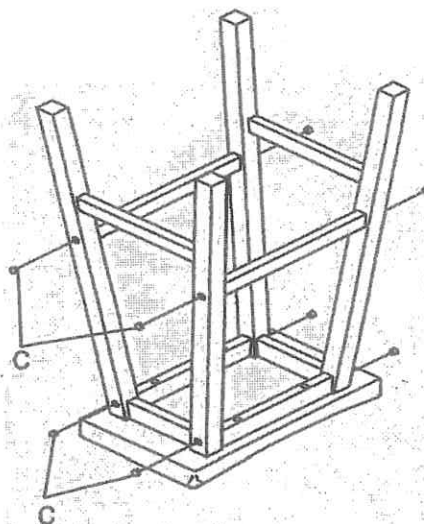


COMPLETE ASSEMBLY

### STEP 1



### STEP 2



### CARE AND MAINTANANCE

Safety - To avoid any risk of suffocation to animals or children dispose of the plastic bags immediately.

Cleaning - As with all surfaces clean with a damp cloth and mild detergent, do not use bleach or abraive products.