

ASSEMBLY INSTRUCTION

ITEM NO. : 96620 Bench





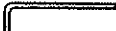



Thank you for purchasing this quality product. Be sure to check all packing material carefully for small parts which may have come loose inside the carton during shipment. Separate, identify and count all parts and hardware. Compare with the parts list to be sure all parts are present.

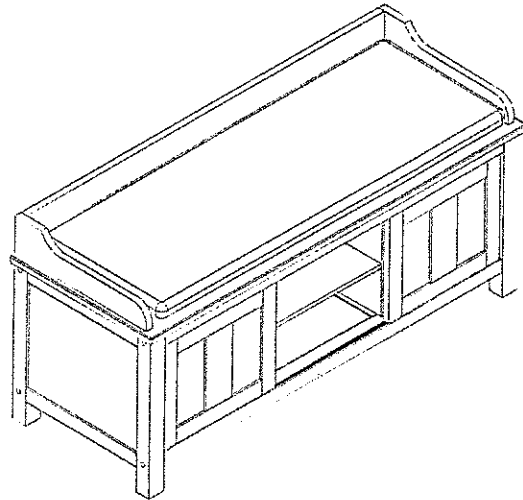
"DO NOT TIGHTEN SCREWS UNTIL COMPLETELY ASSEMBLED"

IMPORTANT:

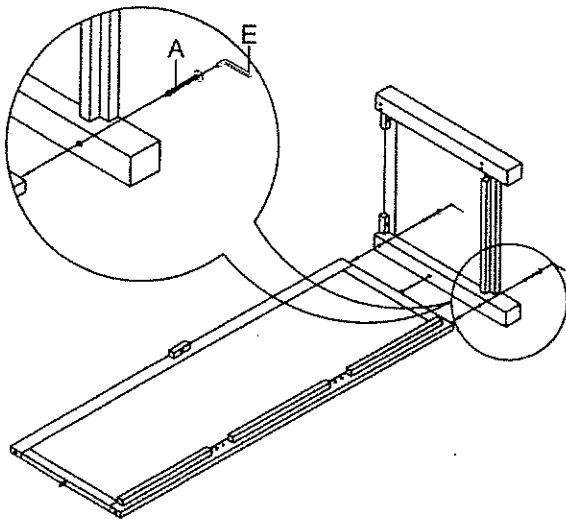
PLEASE READ INSTRUCTION BEFORE STARTING ASSEMBLY

Hardware List :

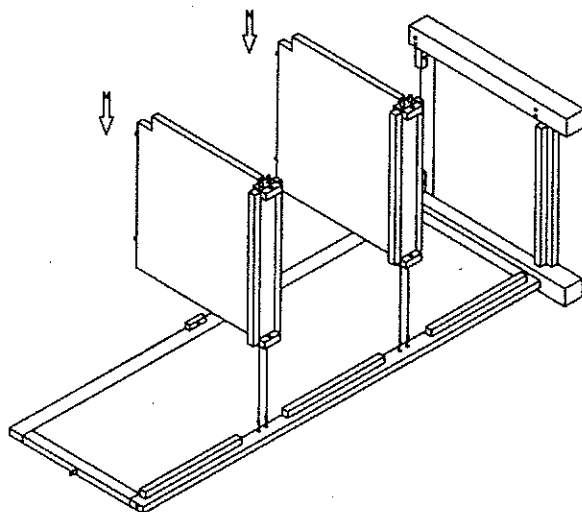
NO.	Description	Drawing	Size	Q'ty
A	Screw		#6x2-3/8"L	8
B	Bolt		1/4"x1-1/4"L	6
C	Spring Washer		1/4"x12mm	6
D	Flat Washer		1/4"x19mm	6
E	Allen Key		4x59mm	1
F	Screw		#4x1"L	4
G	Shelf Holder			4
H	Wood Plug		Ø13.5x10mmL	8



Step 1:



Step 2:



ASSEMBLY INSTRUCTION

ITEM NO. : 96620 Bench






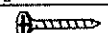


Thank you for purchasing this quality product. Be sure to check all packing material carefully for small parts which may have come loose inside the carton during shipment. Separate, identify and count all parts and hardware. Compare with the parts list to be sure all parts are present.

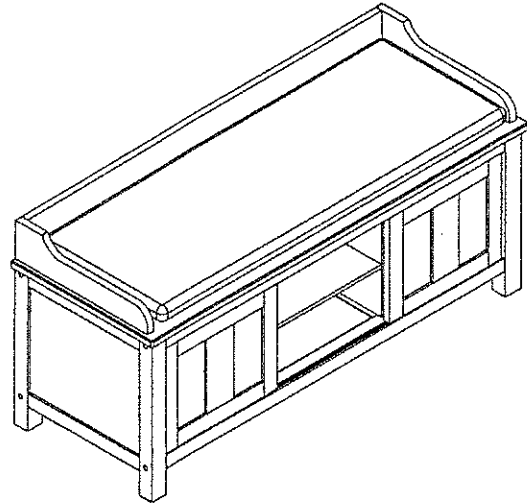
"DO NOT TIGHTEN SCREWS UNTIL COMPLETELY ASSEMBLED"

IMPORTANT:

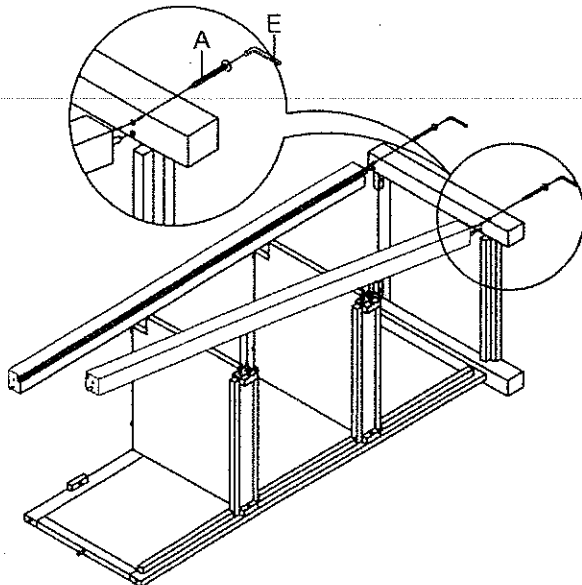
PLEASE READ INSTRUCTION BEFORE STARTING ASSEMBLY

Hardware List :

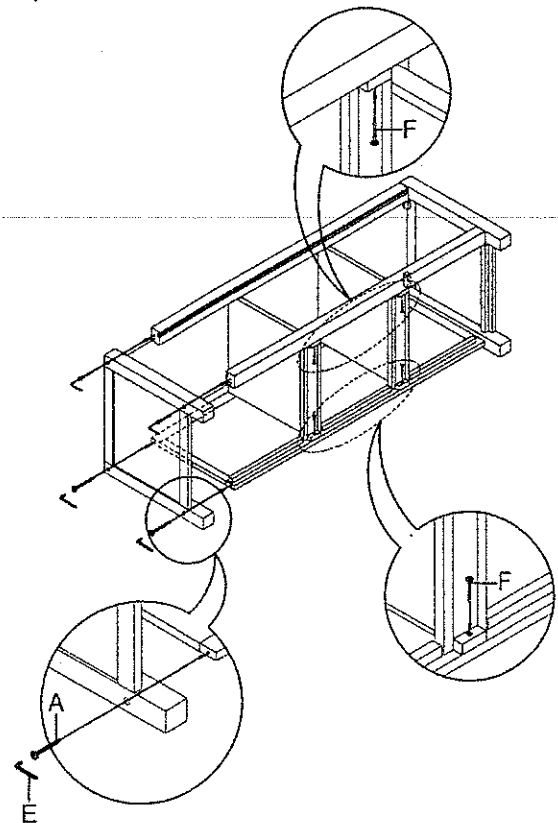
NO.	Description	Drawing	Size	Q'ty
A	Screw		#6x2-3/8"L	8
B	Bolt		1/4"x1-1/4"L	6
C	Spring Washer		1/4"x12mm	6
D	Flat Washer		1/4"x19mm	6
E	Allen Key		4x59mm	1
F	Screw		#4x1"L	4
G	Shelf Holder			4
H	Wood Plug		Ø13.5x10mmL	8



Step 3:



Step 4:



ASSEMBLY INSTRUCTION

ITEM NO. : 96620 Bench





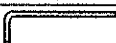
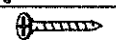


Thank you for purchasing this quality product. Be sure to check all packing material carefully for small parts which may have come loose inside the carton during shipment. Separate, identify and count all parts and hardware. Compare with the parts list to be sure all parts are present.

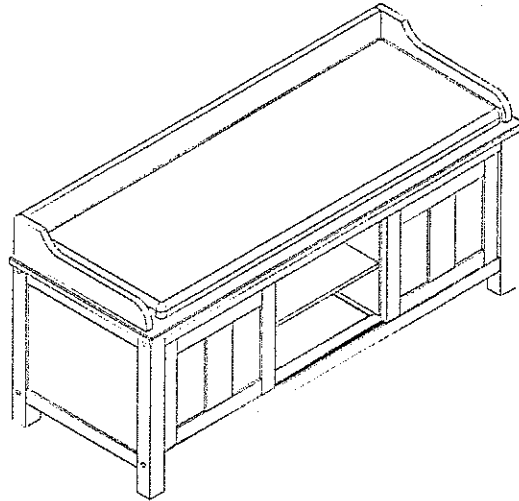
"DO NOT TIGHTEN SCREWS UNTIL COMPLETELY ASSEMBLED"

IMPORTANT:

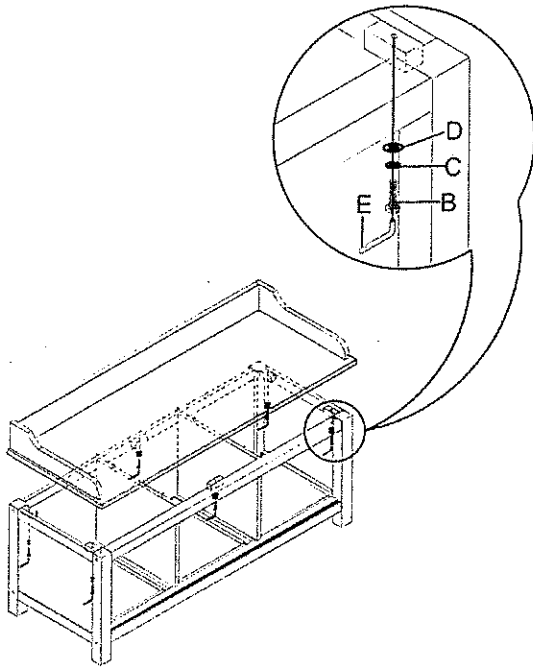
PLEASE READ INSTRUCTION BEFORE STARTING ASSEMBLY

Hardware List :

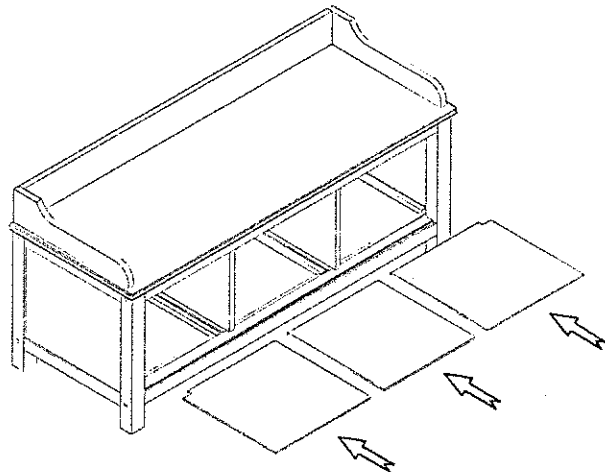
NO.	Description	Drawing	Size	Q'ty
A	Screw		#6x2-3/8"L	8
B	Bolt		1/4"x1-1/4"L	6
C	Spring Washer		1/4"x12mm	6
D	Flat Washer		1/4"x19mm	6
E	Allen Key		4x59mm	1
F	Screw		#4x1"L	4
G	Shelf Holder			4
H	Wood Plug		Ø13.5x10mmL	8



Step 5:



Step 6:



ASSEMBLY INSTRUCTION

ITEM NO. : 96620 Bench

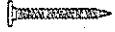



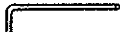
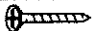


Thank you for purchasing this quality product. Be sure to check all packing material carefully for small parts which may have come loose inside the carton during shipment. Separate, identify and count all parts and hardware. Compare with the parts list to be sure all parts are present.

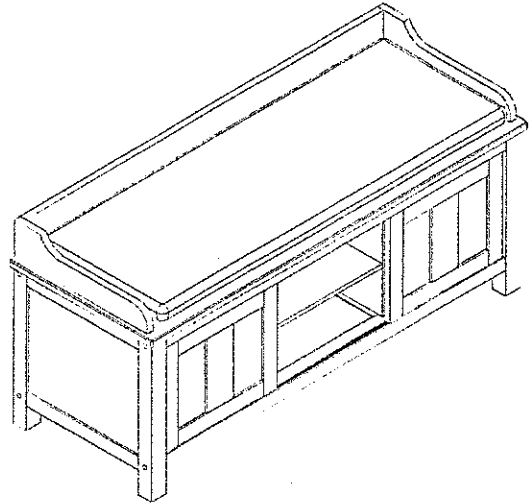
"DO NOT TIGHTEN SCREWS UNTIL COMPLETELY ASSEMBLED"

IMPORTANT:

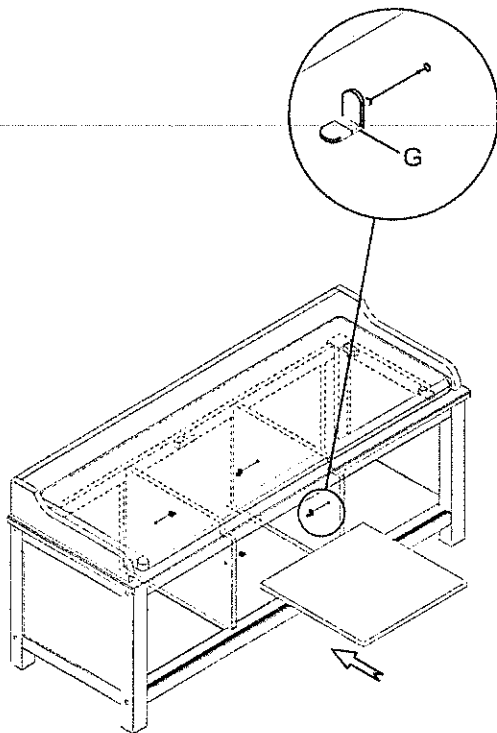
PLEASE READ INSTRUCTION BEFORE STARTING ASSEMBLY

Hardware List :

NO.	Description	Drawing	Size	Q'ty
A	Screw		#6x2-3/8"L	8
B	Bolt		1/4"x1-1/4"L	6
C	Spring Washer		1/4"x12mm	6
D	Flat Washer		1/4"x19mm	6
E	Allen Key		4x59mm	1
F	Screw		#4x1"L	4
G	Shelf Holder			4
H	Wood Plug		Ø13.5x10mmL	8

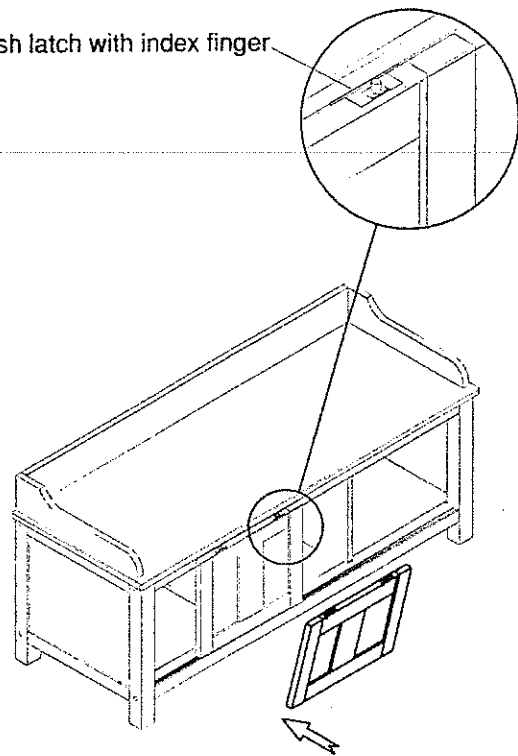


Step 7:



Step 8:

Push latch with index finger



ASSEMBLY INSTRUCTION

ITEM NO. : 96620 Bench






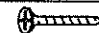


Thank you for purchasing this quality product. Be sure to check all packing material carefully for small parts which may have come loose inside the carton during shipment. Separate, identify and count all parts and hardware. Compare with the parts list to be sure all parts are present.

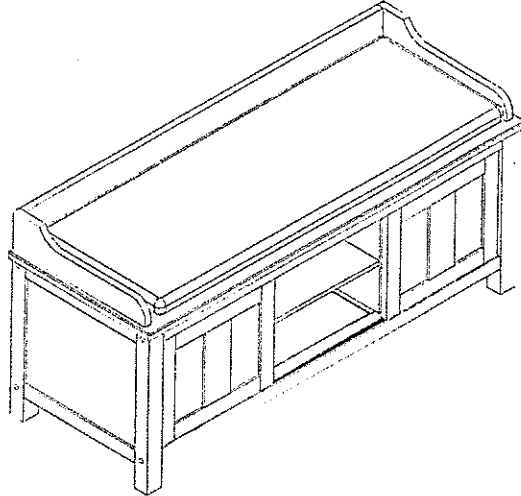
"DO NOT TIGHTEN SCREWS UNTIL COMPLETELY ASSEMBLED"

IMPORTANT:

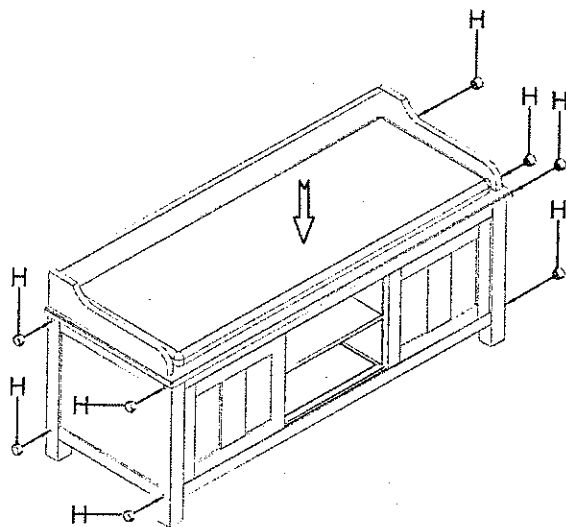
PLEASE READ INSTRUCTION BEFORE STARTING ASSEMBLY

Hardware List :

NO.	Description	Drawing	Size	Q'ty
A	Screw		#6x2-3/8"L	8
B	Bolt		1/4"x1-1/4"L	6
C	Spring Washer		1/4"x12mm	6
D	Flat Washer		1/4"x19mm	6
E	Allen Key		4x59mm	1
F	Screw		#4x1"L	4
G	Shelf Holder			4
H	Wood Plug		Ø13.5x10mmL	8



Step 9:



Finish

