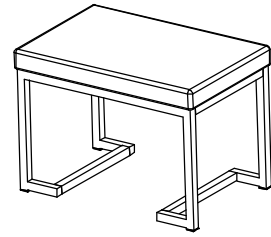
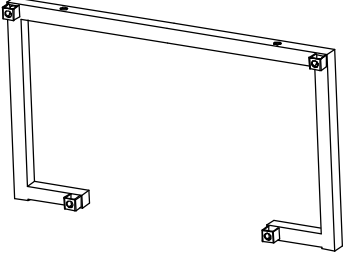
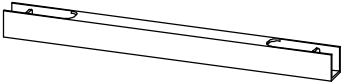
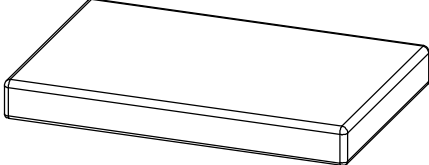
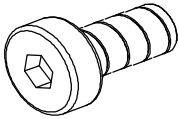
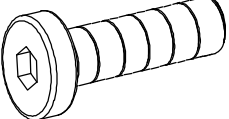
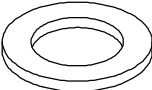
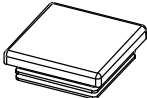
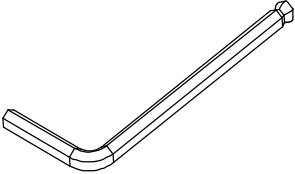


ITEM NO. 96597 SMALL BENCH

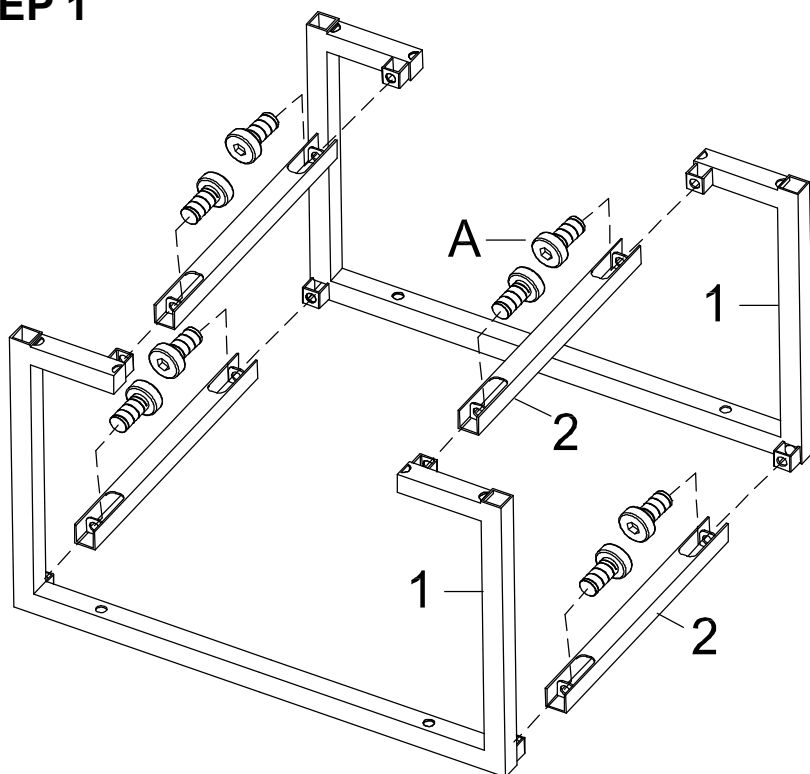


ASSEMBLY INSTRUCTIONS

1	2	3
 <p data-bbox="204 913 405 987">SIDE FRAME 2PCS</p>	 <p data-bbox="699 913 896 987">STRETCHER 4PCS</p>	 <p data-bbox="1219 913 1362 987">CUSHION 1PC</p>
<p data-bbox="293 1003 319 1032">A</p>	<p data-bbox="788 1003 813 1032">B</p>	<p data-bbox="1283 1003 1308 1032">C</p>
 <p data-bbox="188 1375 421 1449">BOLT 1/4"X5/8" 8PCS</p>	 <p data-bbox="667 1375 932 1449">BOLT 1/4"X1-5/8" 4PCS</p>	 <p data-bbox="1219 1375 1362 1449">WASHER 4PCS</p>
<p data-bbox="293 1462 319 1491">D</p>	<p data-bbox="788 1462 813 1491">E</p>	
 <p data-bbox="220 1794 389 1868">FOOT CAP 4PCS</p>	 <p data-bbox="708 1794 887 1868">ALLEN KEY 1PC</p>	

***** Do not tighten screws & bolts until the entire unit is completely assembled. *****

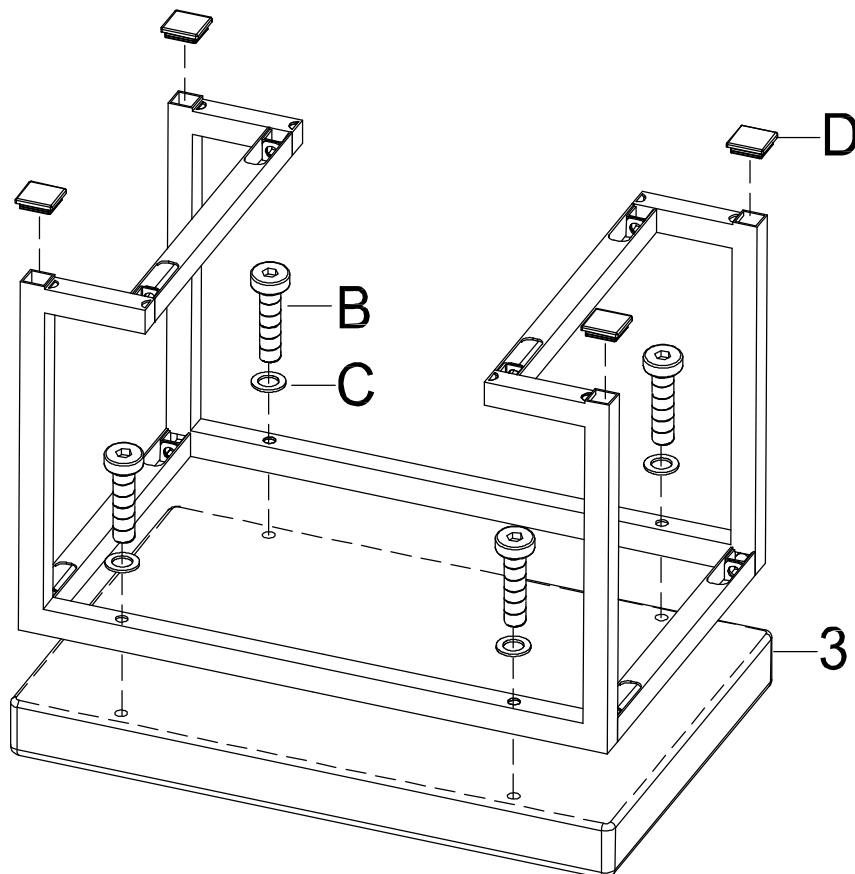
STEP 1



*Please put all parts on a soft surface to prevent scratches.

Attach stretcher (2) to side frame (1) by using bolt (A) as shown.

STEP 2



Attach metal frame unit to cushion (3) by using bolt (B) and washer (C) as shown and then insert foot cap (D) into the end of side frame.

Tighten all bolts firmly and turn the bench upright.

Your small bench is now complete.