

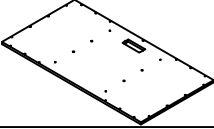
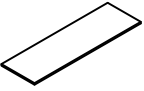
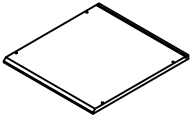
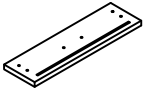
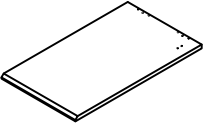
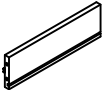
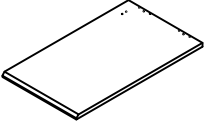
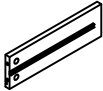
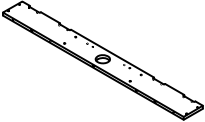
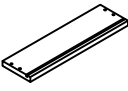
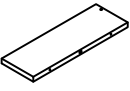
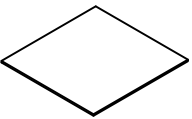
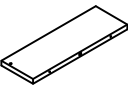
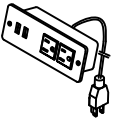
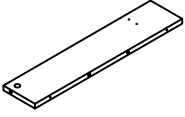
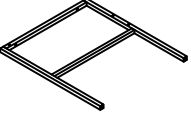
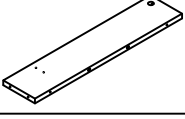
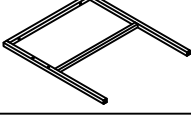
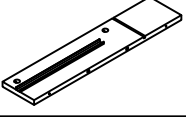

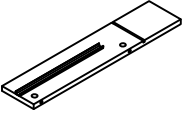
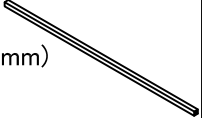
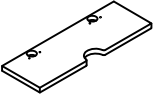
ASSEMBLY INSTRUCTION FOR ACME FURNITURE

MODEL#93090 / #93092

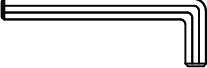
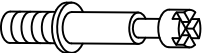

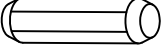
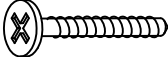

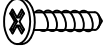
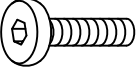
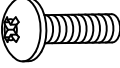







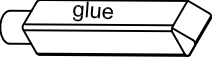

Thank you for purchasing the quality product. Be sure to check all packing material carefully for small parts which may have come loose inside the cation during shipment. Separate, identify and count all parts and metal hardware. Compare with all parts list to be sure all parts are present. If any part(s) are missing or damaged, please contact your local furniture dealer. For efficient and speedy service, please indicate the model number and code letter of part(s) needed.

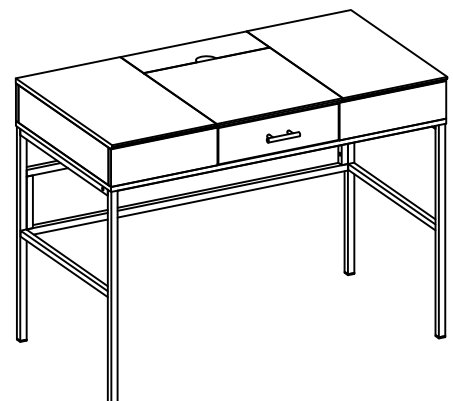
*** Do not fully tighten screws until fully assembled ***

COMPONENT PARTS

DESCRIPTION	PART NAME	QTY (PCS)	DESCRIPTION	PART NAME	QTY (PCS)
①	BOTTOM PANEL 	1	⑬	BACK PARTITION 	1
②	C-TOP PANEL 	1	⑭	DRAWER FACE 	1
③	L-TOP PANEL 	1	⑮	LEFT DRAWER SIDE 	1
④	R-TOP PANEL 	1	⑯	RIGHT DRAWER SIDE 	1
⑤	BACK PANEL 	1	⑰	DRAWER BACK 	1
⑥	L-FRONT PANEL 	1	⑱	DRAWER BOTTOM 	1
⑦	R-FRONT PANEL 	1	⑲	USB SOCKET 	1
⑧	LEFT PANEL 	1	⑳	LEFT FRAME 	1
⑨	RIGHT PANEL 	1	㉑	RIGHT FRAME 	1
⑩	LEFT PARTITION 	1	㉒	BACK FRAME 	1
⑪	RIGHT PARTITION 	1	㉓	CROSS TUBE (L: 1028mm) 	1
⑫	FLIP BOARD 	1			

HARDWARE REQUIRED

(A)		ALLEN KEY		1 PC
(B)		CAM BOLT	34.8mm	10 PCS
(C)		CAM LOCK		10 PCS
(D)		WOODEN DOWEL	φ8mm*30mm	13 PCS
(E)		SCREW	8#*38mm	28 PCS
(F)		SCREW (Black)	6#*12mm	38 PCS
(G)		SCREW	7#*15mm	12 PCS
(H)		BOLT	φ1/4"*32mm	10 PCS
(I)		BOLT	φ5/32"*25mm	2 PCS
(J)		WASHER	φ12mm	2 PCS
(K)		PLUG	20mmSQ	4 PCS
(L)		HINGE		4 PCS
(M)		HINGE		2 PCS
(N)		L-LID SUPPORT		1 PC
(O)		R-LID SUPPORT		1 PC
(P)		KNOB		1 PC
(Q)		GLUE		1 PC
(R)		CAP		1 PC



Attention

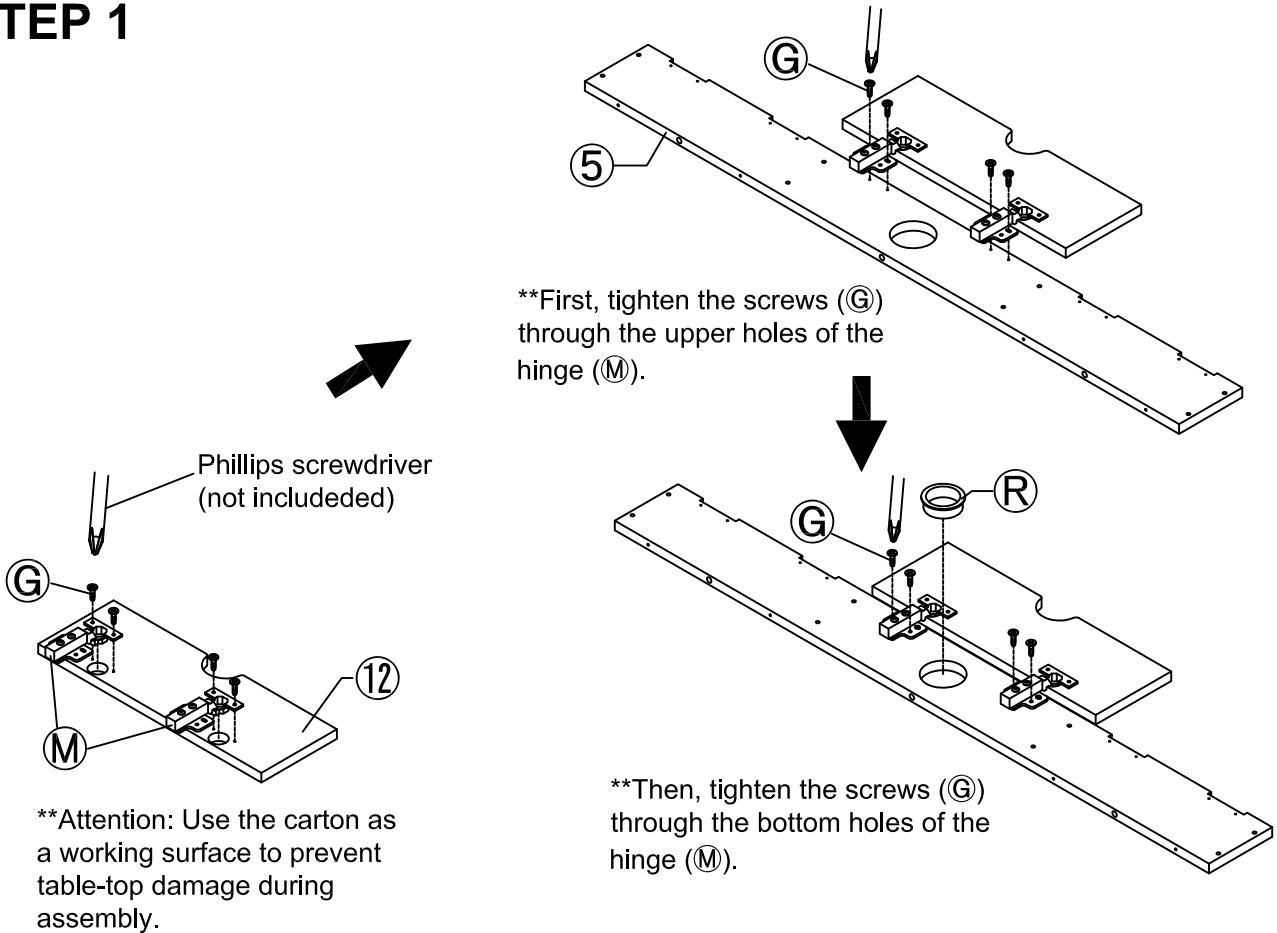
*** Assembly required: 2-people recommended.



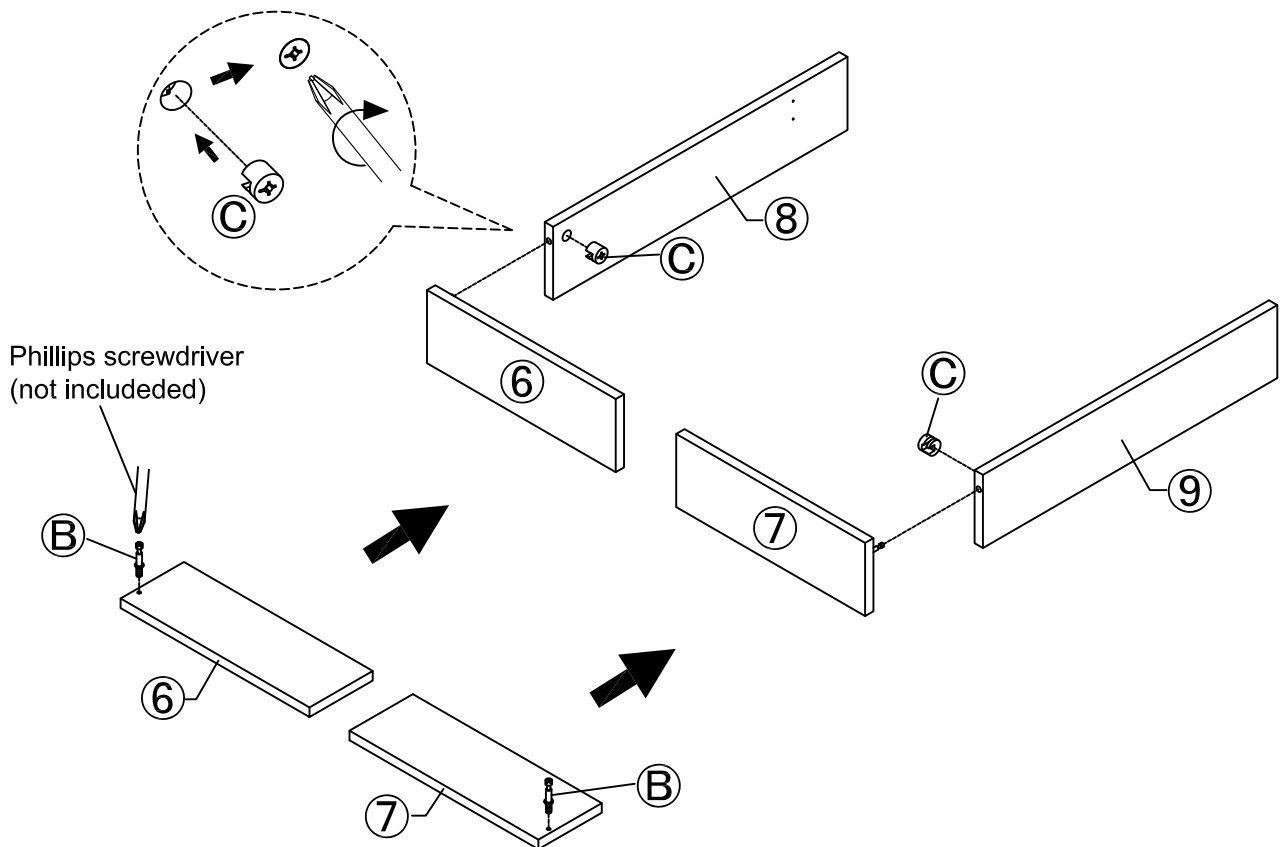
*** Some number parts listed on the instruction sheet may not be in parts bag as they may already be assembled. Carefully check parts and packing materials prior to ordering replacements.

How to assemble:

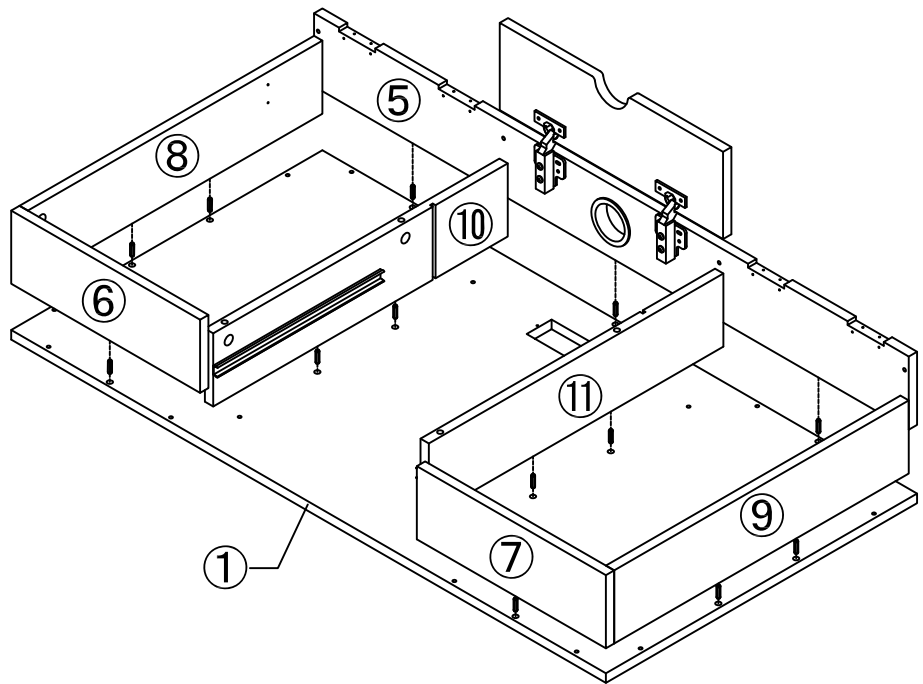
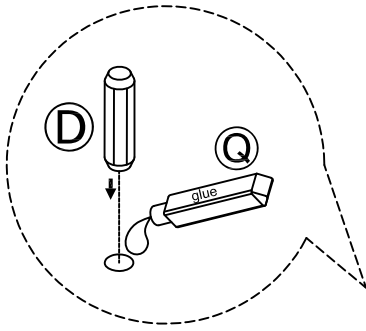
STEP 1



STEP 2

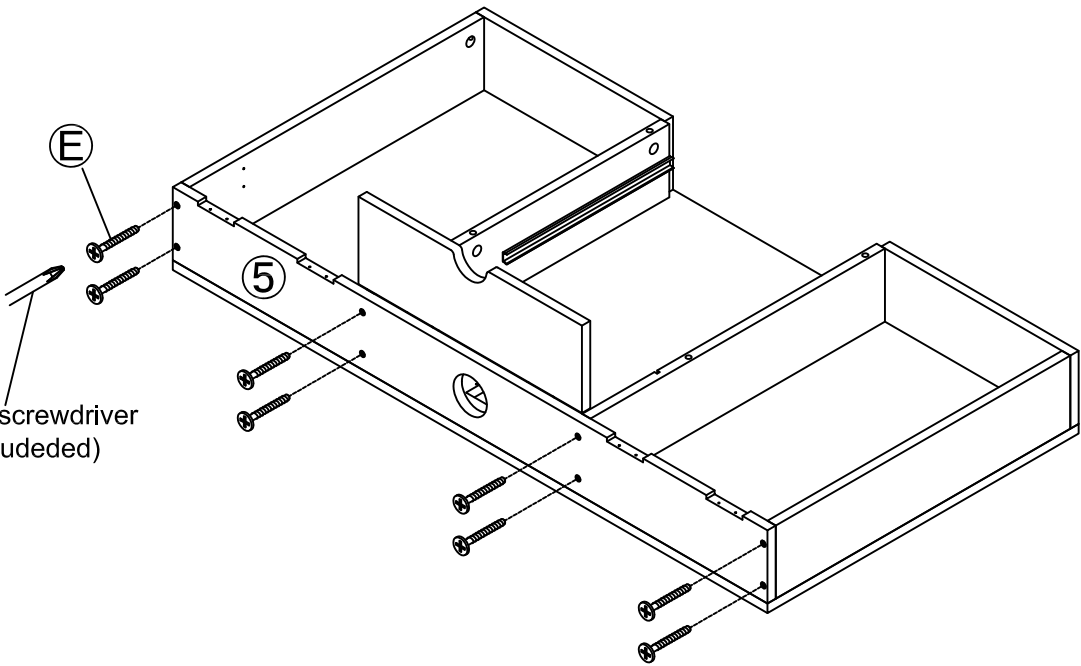


STEP 3



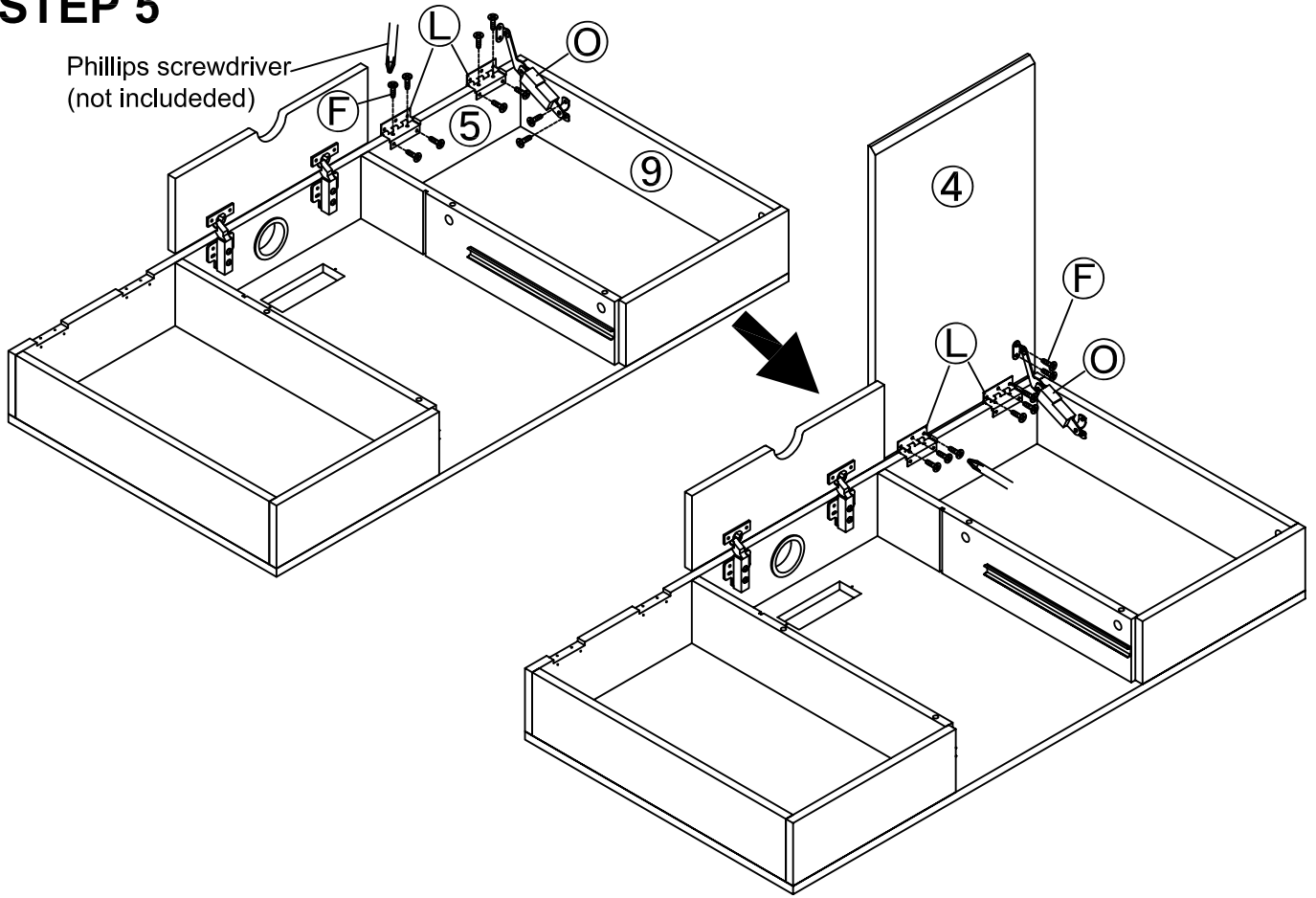
STEP 4

E
Phillips screwdriver
(not included)



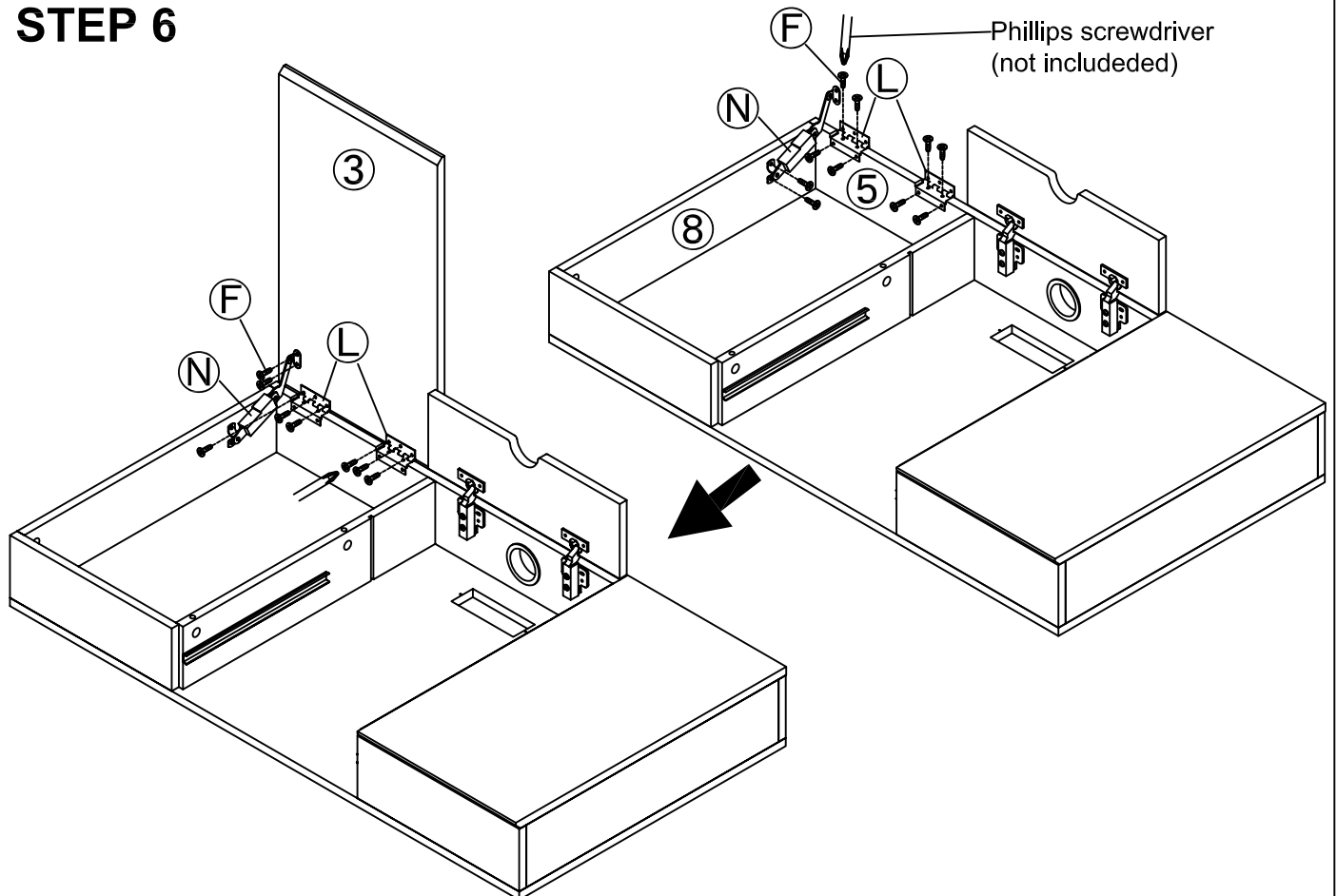
STEP 5

Phillips screwdriver
(not included)

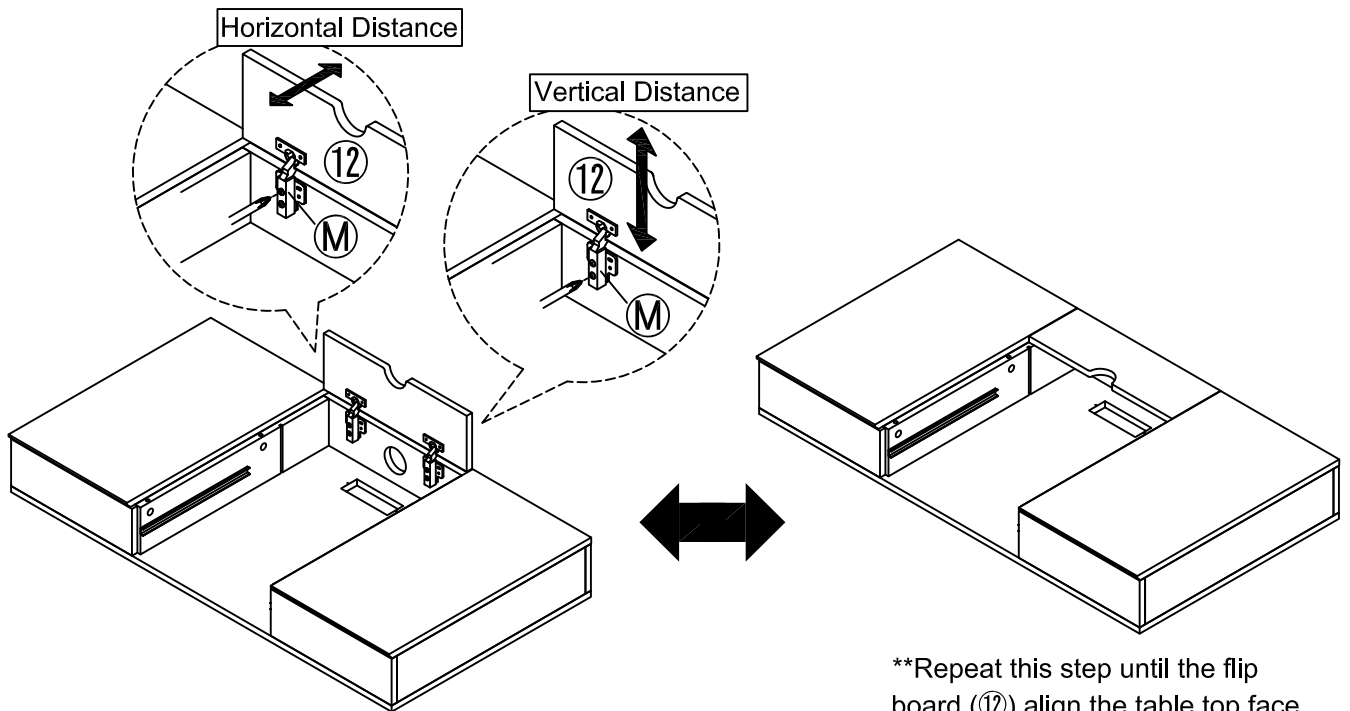


STEP 6

Phillips screwdriver
(not included)

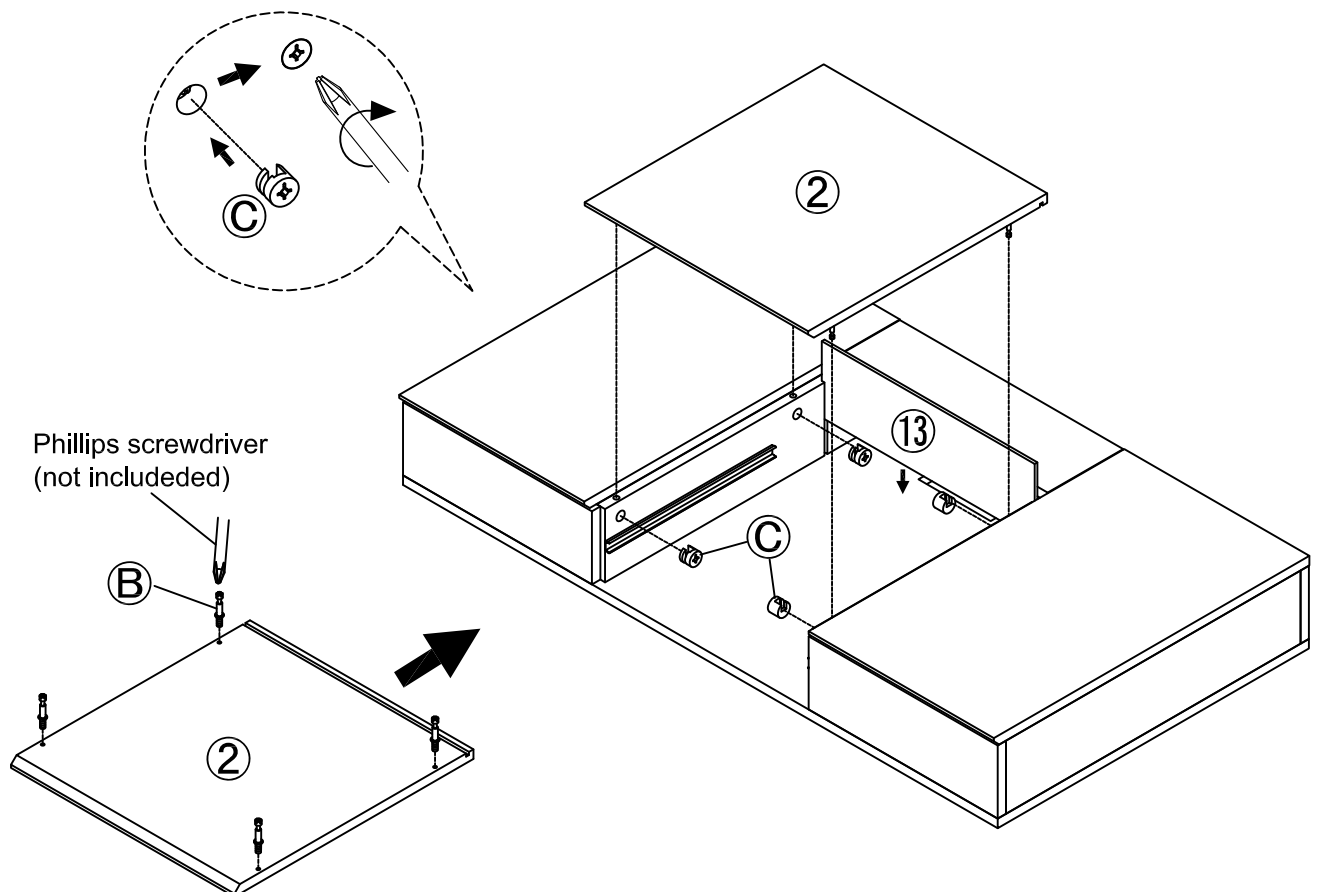


STEP 7

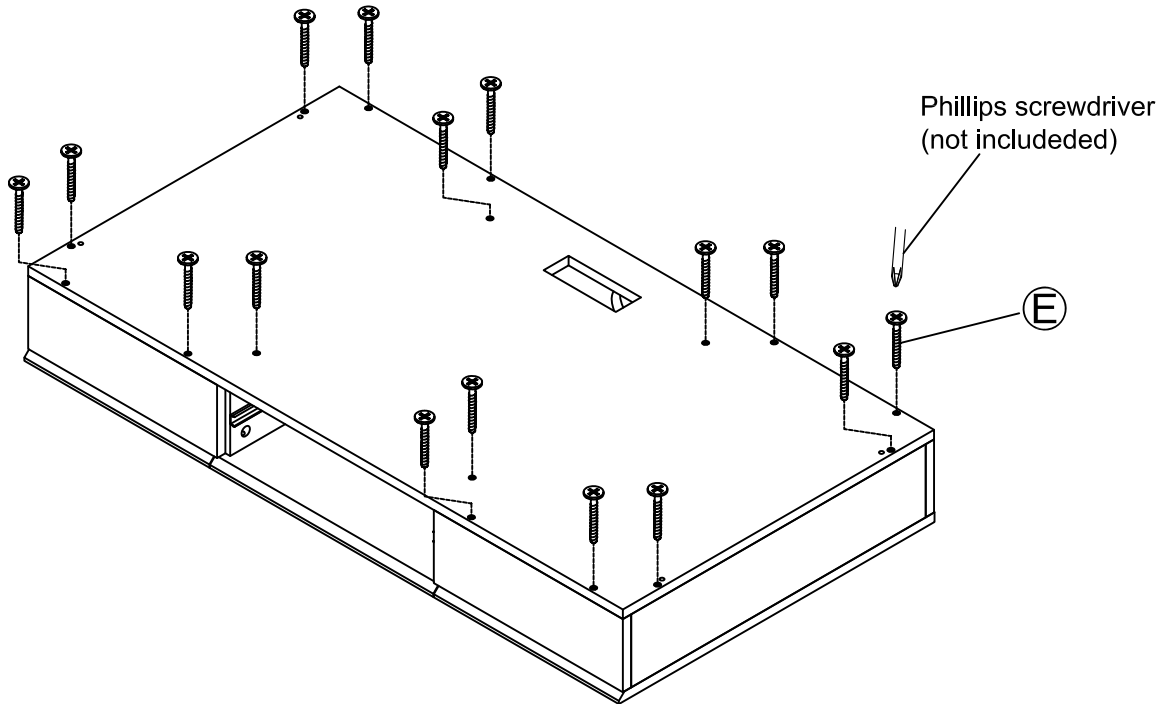


**Regulate the direction of the flip board (12) by the hinge (M).

STEP 8

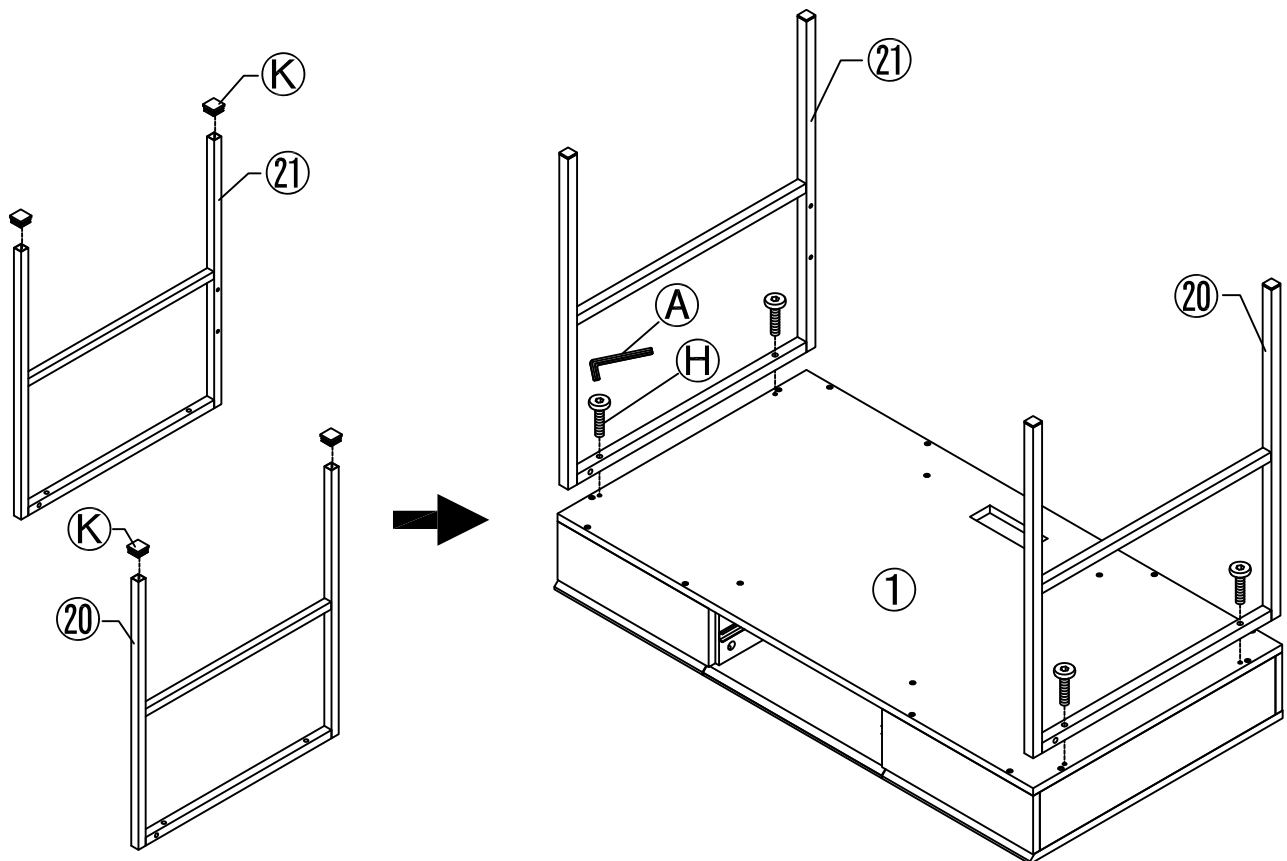


STEP 9

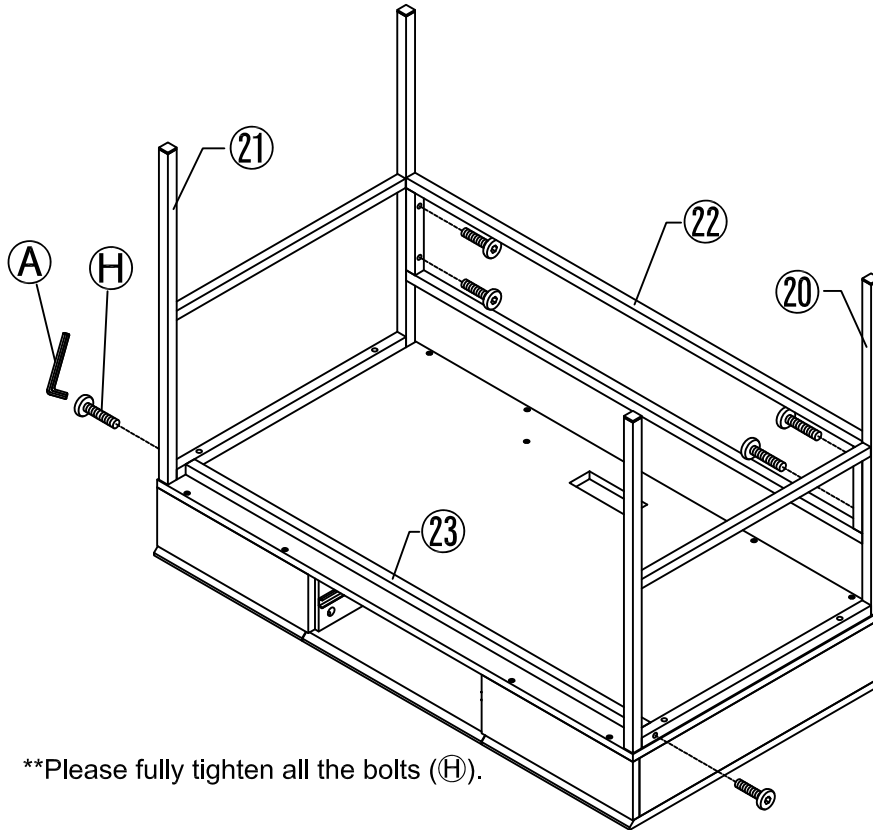


**Attention: Use the carton as a working surface to prevent table-top damage during assembly.

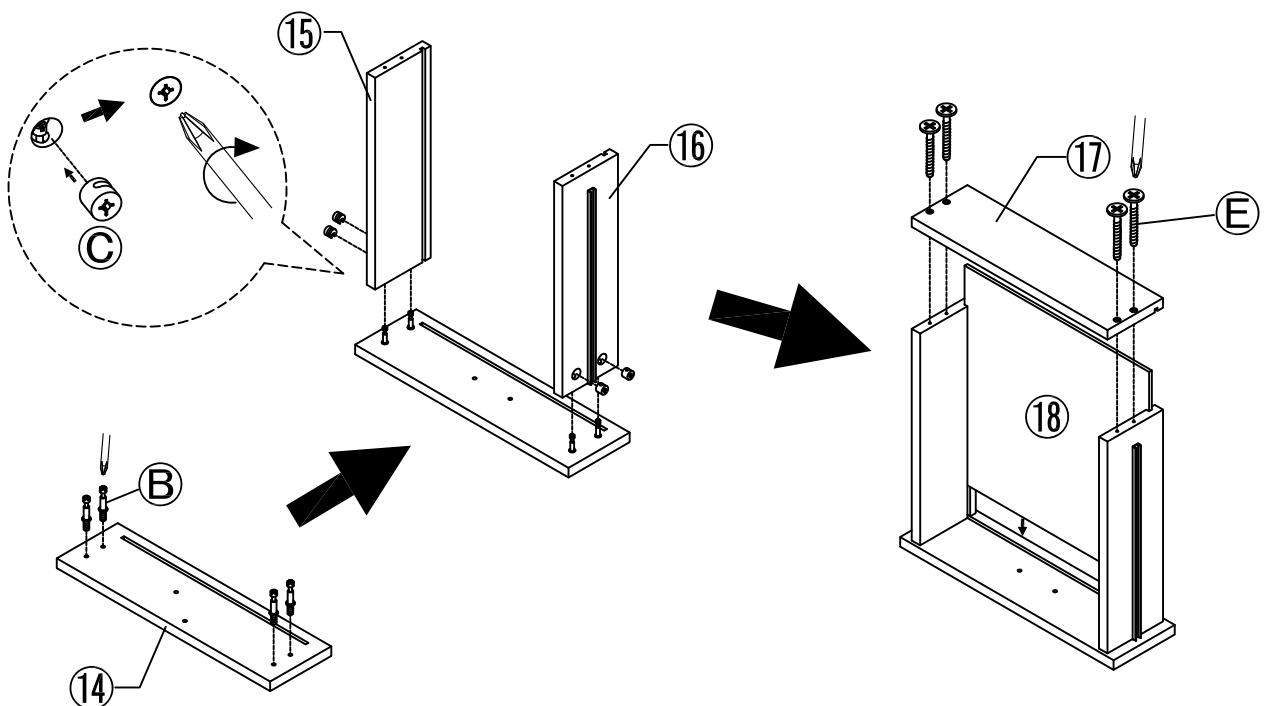
STEP 10



STEP 11

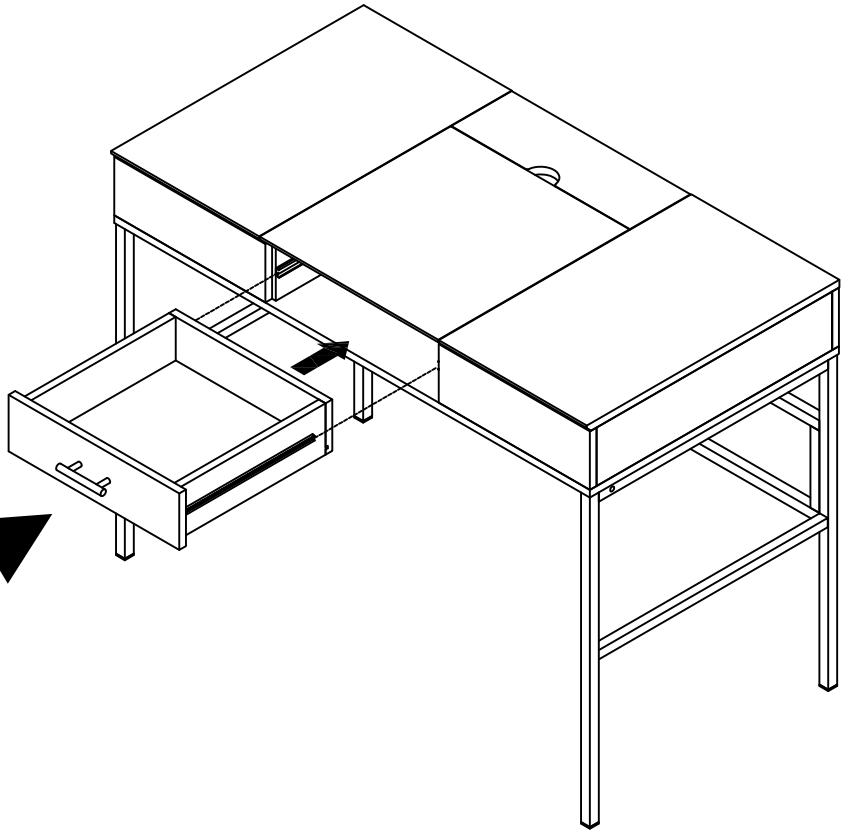
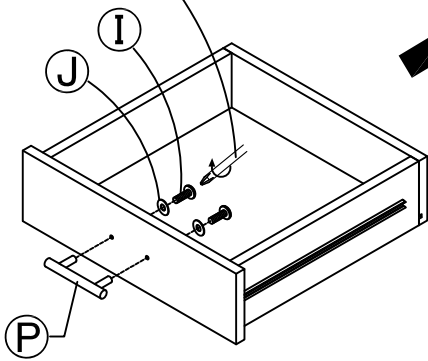


STEP 12



STEP 13

Phillips screwdriver
(not included)



STEP 14

Phillips screwdriver
(not included)

