

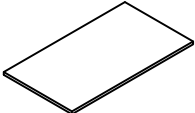
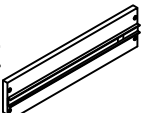
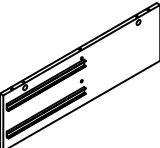
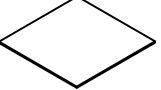
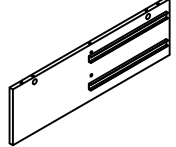

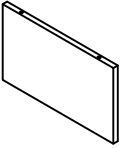
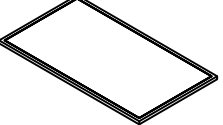
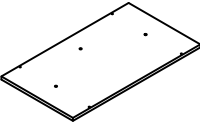
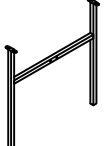
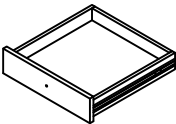
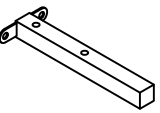
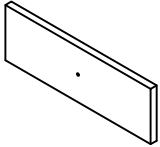
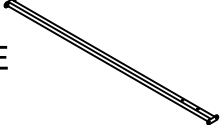
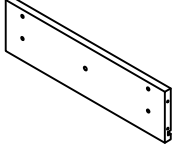
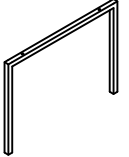

ASSEMBLY INSTRUCTION FOR ACME FURNITURE

MODEL#92675 / #92676

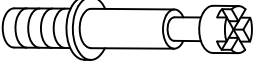
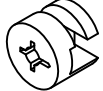
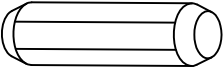
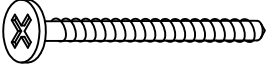
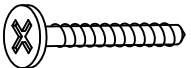
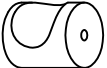
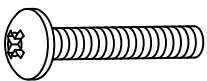

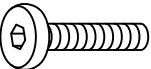
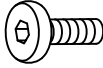

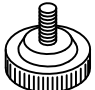
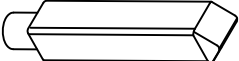
Thank you for purchasing the quality product. Be sure to check all packing material carefully for small parts which may have come loose inside the cation during shipment. Separate, identify and count all parts and metal hardware. Compare with all parts list to be sure all parts are present. If any part(s) are missing or damaged, please contact your local furniture dealer. For efficient and speedy service, please indicate the model number and code letter of part(s) needed.

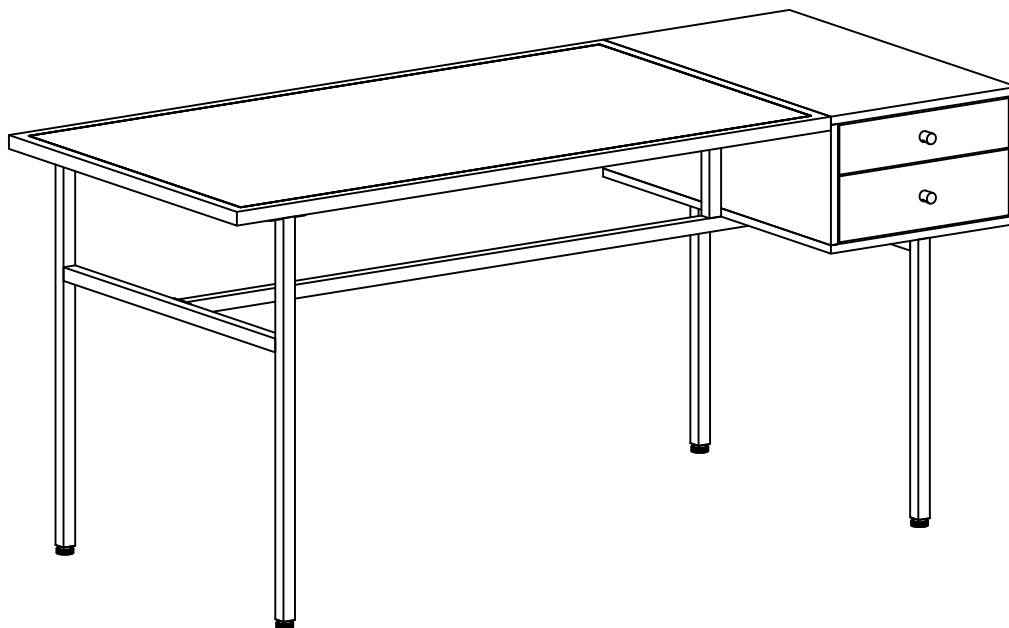
*** Do not fully tighten screws until fully assembled ***

COMPONENT PARTS

DESCRIPTION	PART NAME	QTY (PCS)	DESCRIPTION	PART NAME	QTY (PCS)
①	TOP PANEL 	1	⑩	RIGHT DRAWER SIDE 	1
②	LEFT PANEL 	1	⑪	DRAWER BOTTOM 	1
③	RIGHT PANEL 	1	⑫	DRAWER BACK 	1
④	BACK PANEL 	1	⑬	TOP FRAME 	1
⑤	BOTTOM PANEL 	1	⑭	H-FRAME 	1
⑥	UPPER DRAWER 	1	⑮	I-FRAME 	1
⑦	DRAWER FACE 	1	⑯	CROSS FRAME 	1
⑧	DRAWER FRONT 	1	⑰	SIDE FRAME 	1
⑨	LEFT DRAWER SIDE 	1			

HARDWARE REQUIRED

(A)		CAM BOLT	34.8mm	4 PCS
(B)		CAM LOCK		4 PCS
(C)		WOODEN DOWEL	φ8mm*30mm	16 PCS
(D)		SCREW	#8*38mm	12 PCS
(E)		SCREW	#8*21mm	4 PCS
(F)		KNOB	19*19*25mm	2 PCS
(G)		BOLT	M4*25mm	2 PCS
(H)		ALLEN KEY		1 PCS
(I)		BOLT	φ1/4"*1-1/2"	6 PCS
(J)		BOLT	φ1/4"*1/2"	10 PCS
(K)		WASHER	φ1/4"*16mm	16 PCS
(L)		LEVELER	φ30mm	4 PCS
(M)		GLUE		1 PCS



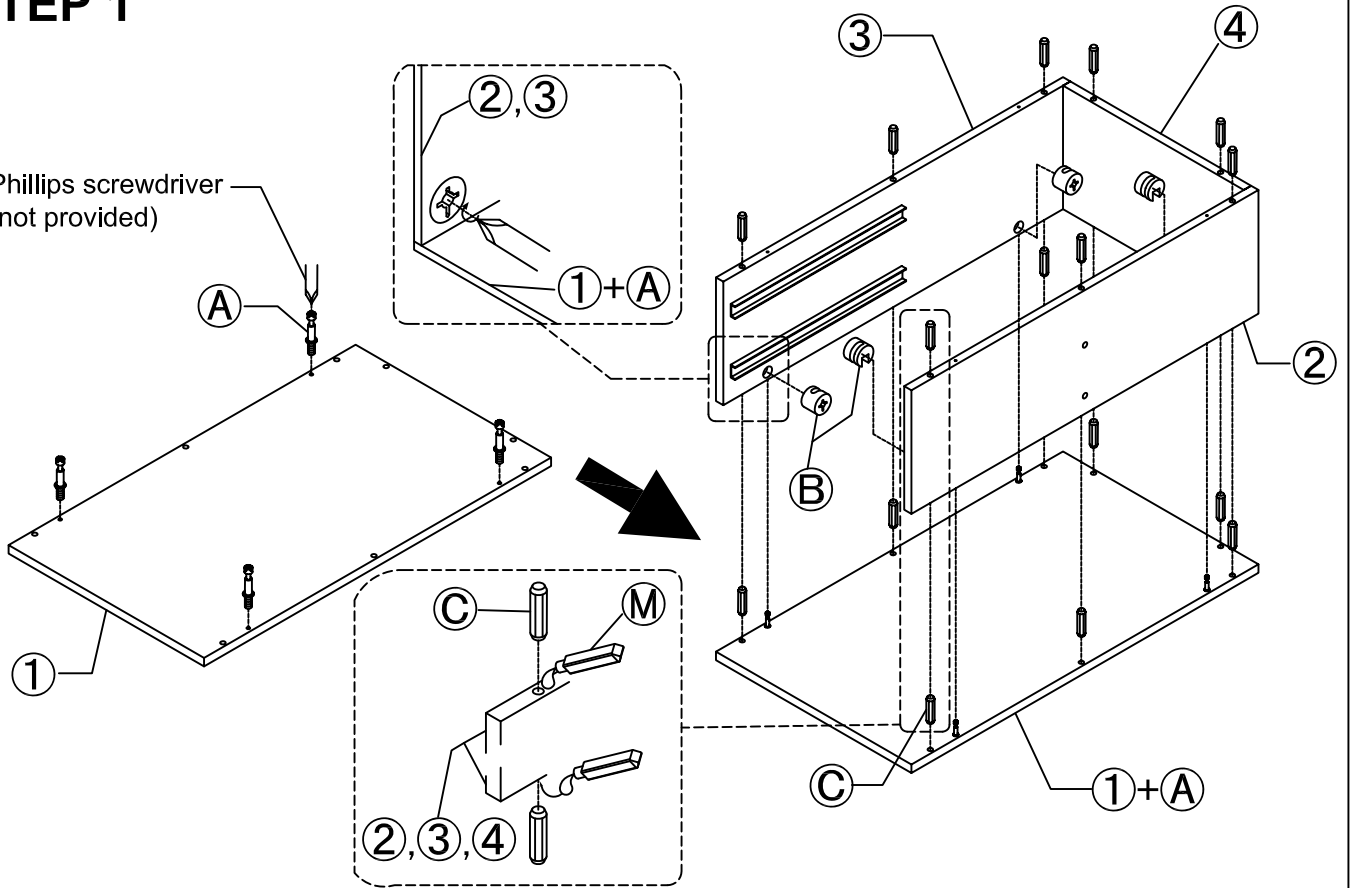
Attention

*** Some number parts listed on the instruction sheet may not be in parts bag as they may already be assembled. Carefully check parts and packing materials prior to ordering replacements.

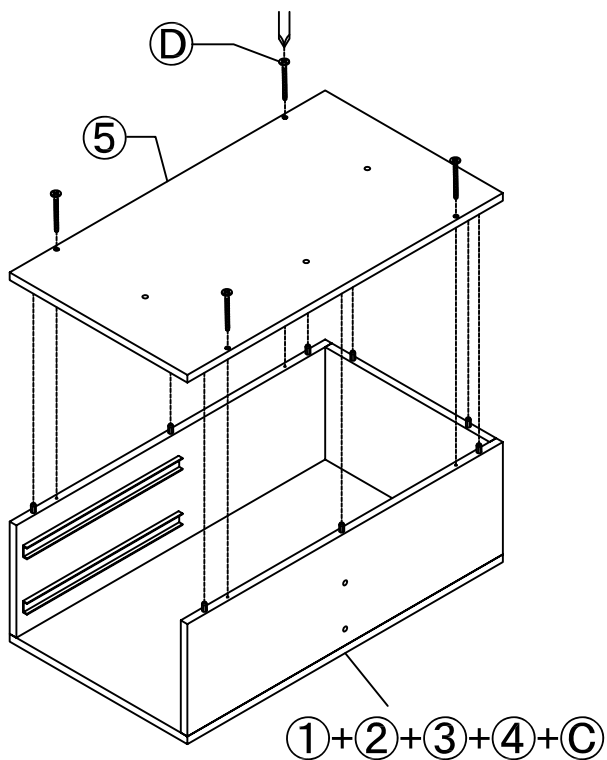
How to assemble:

STEP 1

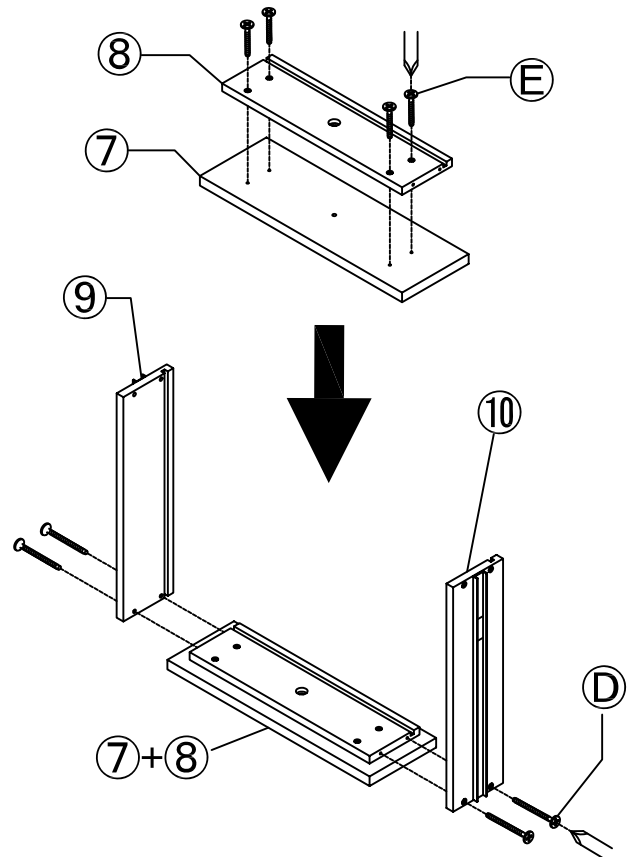
Phillips screwdriver
(not provided)



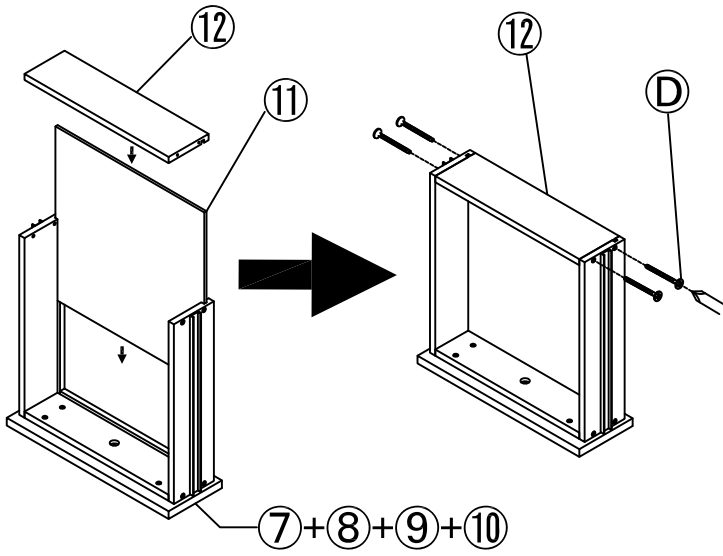
STEP 2



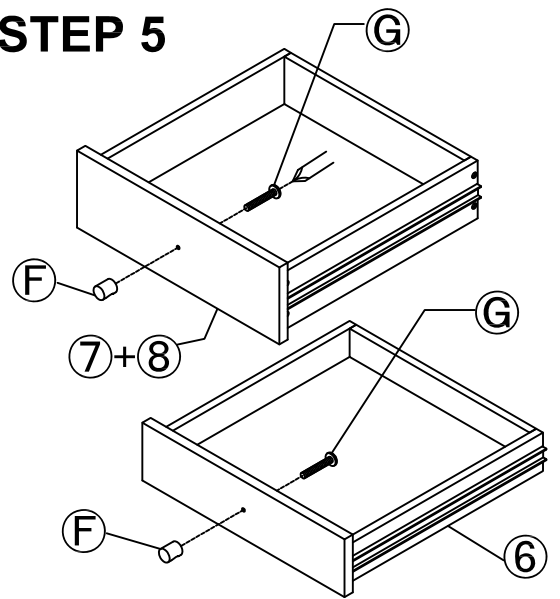
STEP 3



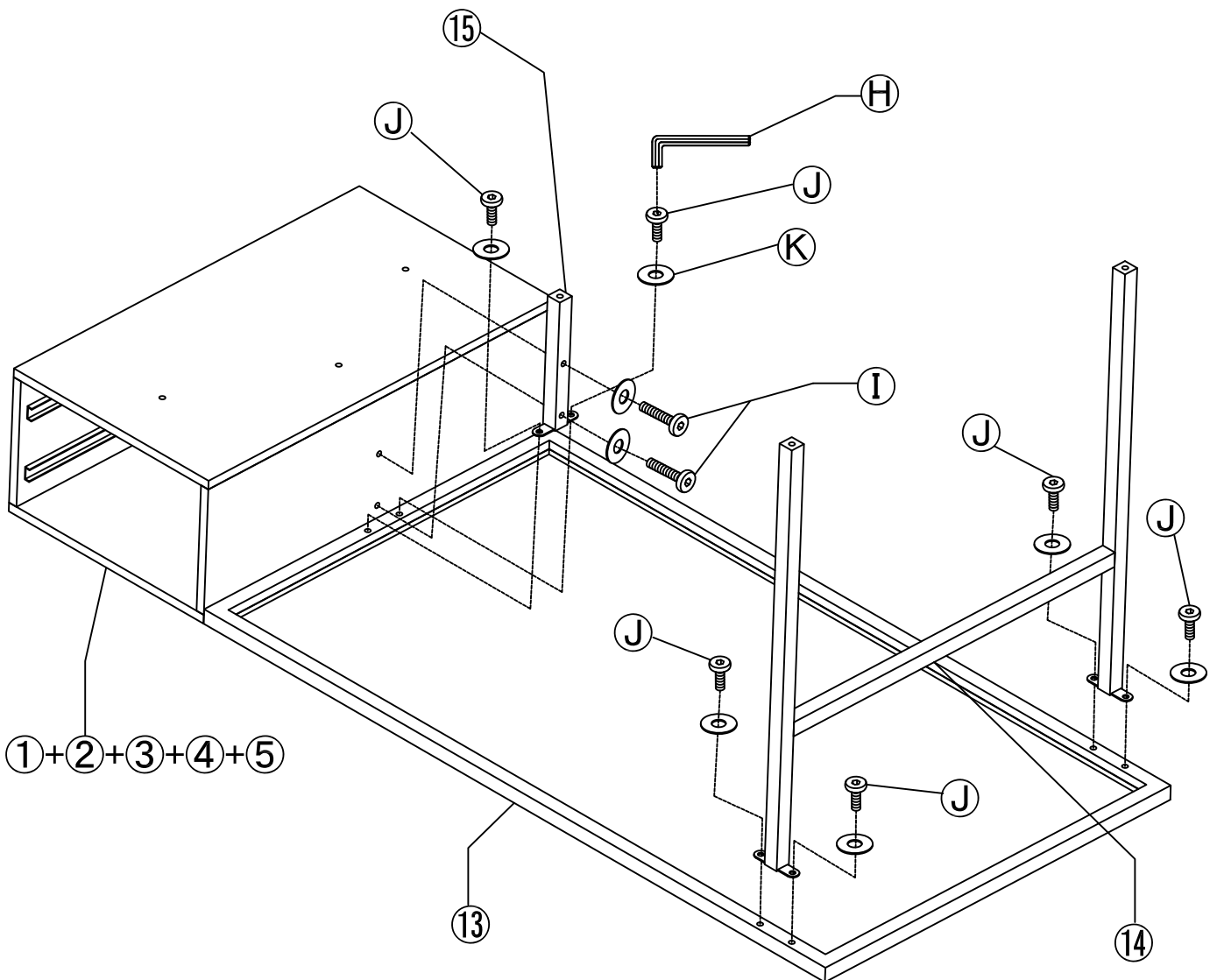
STEP 4



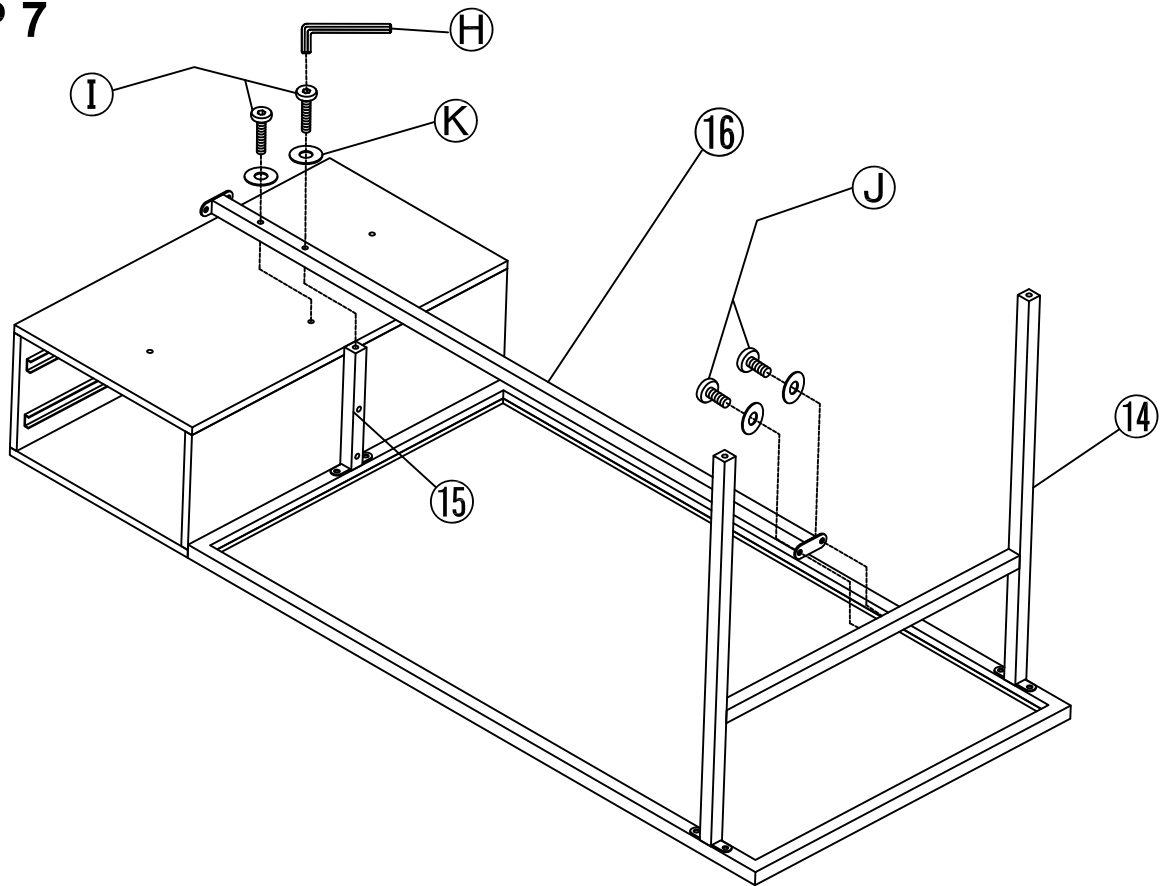
STEP 5



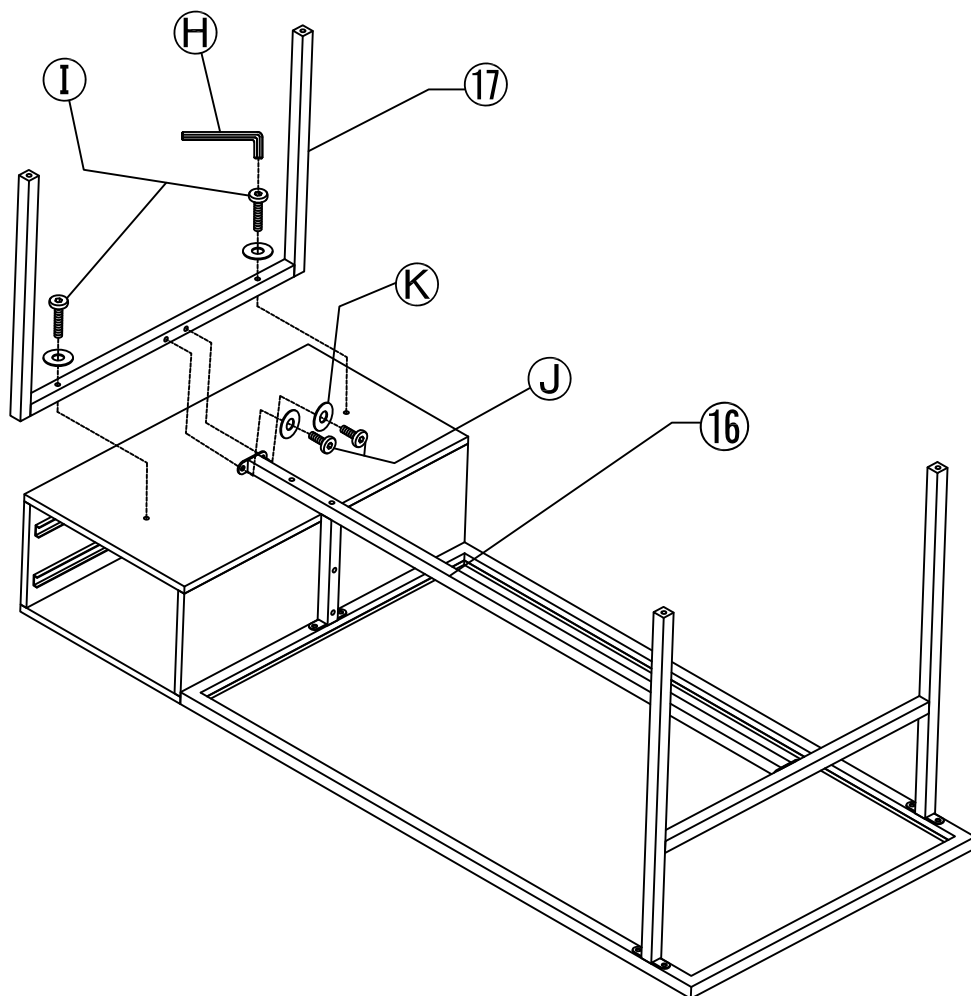
STEP 6



STEP 7



STEP 8



STEP 9

