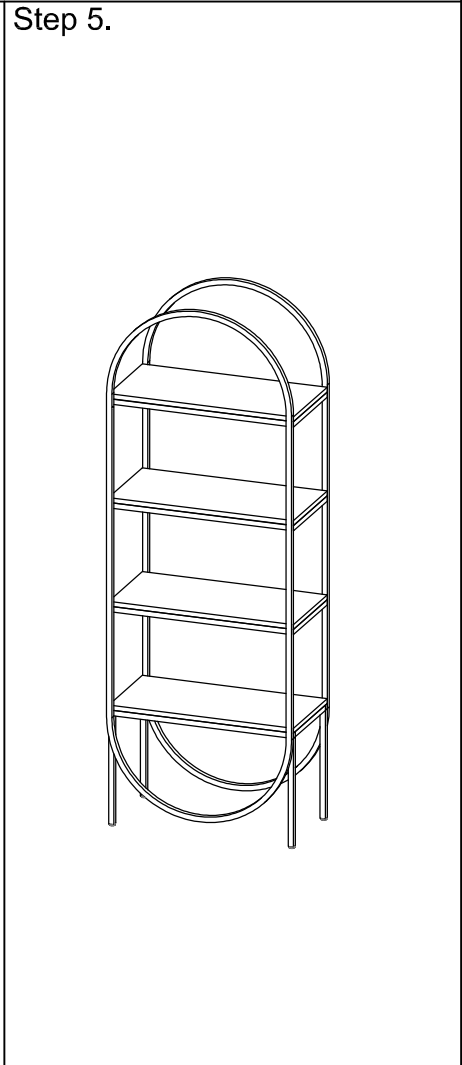
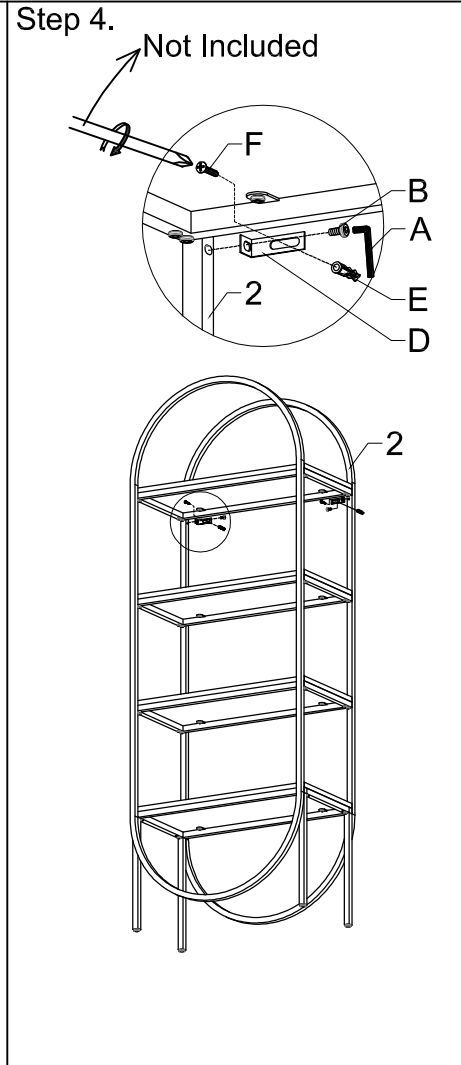
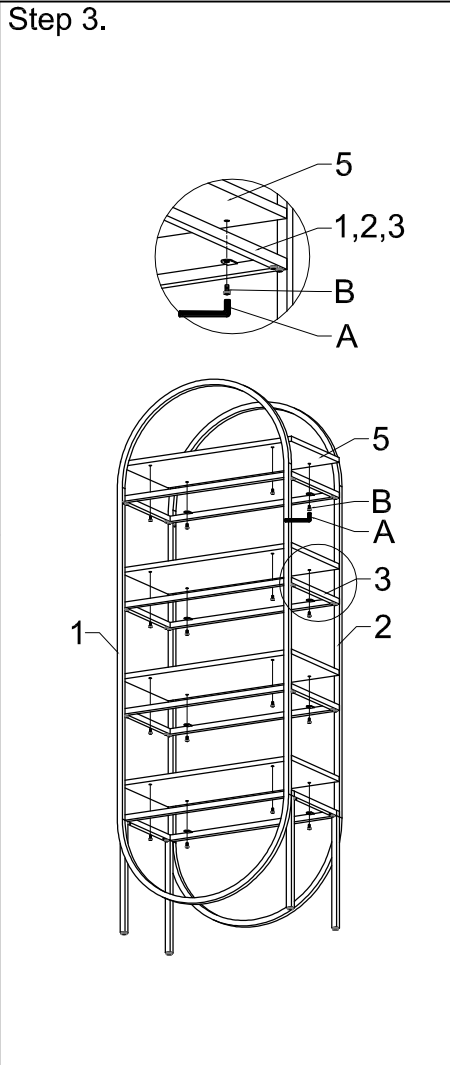
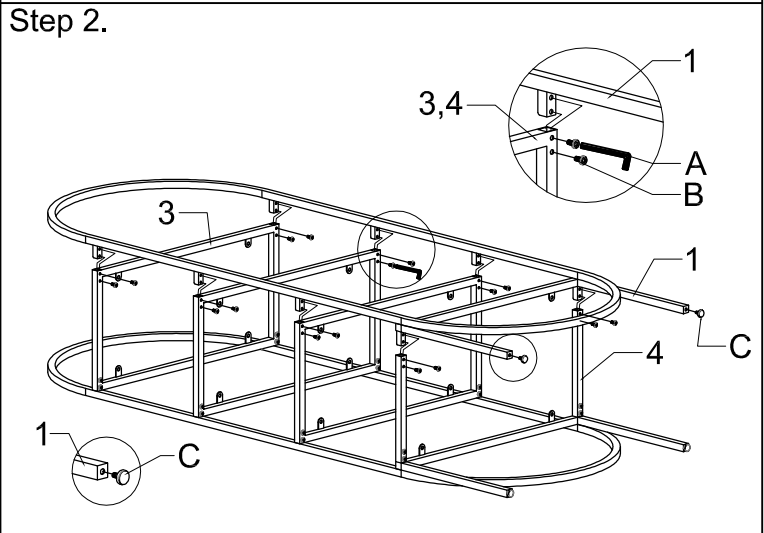
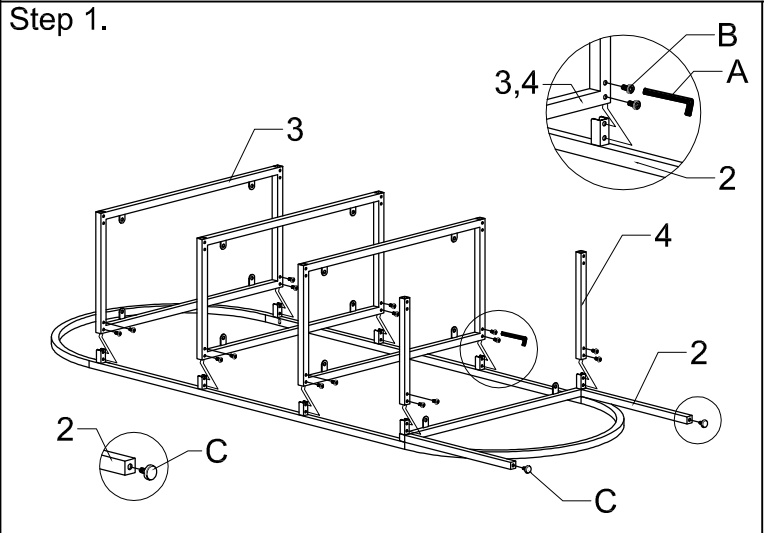

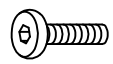
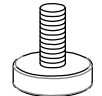

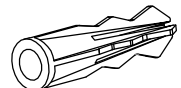
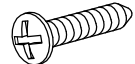


**\*\* Do not tighten any bolts until all of them have been started !**

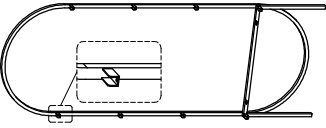
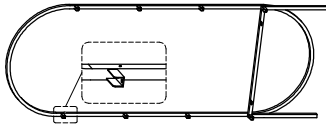

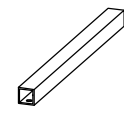

MODEL ITEM #92662



**ACCESSORY PACK**

<p>A</p>  <p>1PC</p>	<p>B</p>  <p>50PCS</p>	<p>C</p>  <p>4PCS</p>	<p>D</p>  <p>2PCS</p>	<p>E</p>  <p>2PCS</p>	<p>F</p>  <p>2PCS</p>
---	---	--	--	--	--

**COMPLETE HARDWARE**

<p>1</p>  <p>1PC</p>	<p>2</p>  <p>1PC</p>	<p>3</p>  <p>3PCS</p>	<p>4</p>  <p>2PCS</p>	<p>5</p>  <p>4PCS</p>
--	---	---	--	--