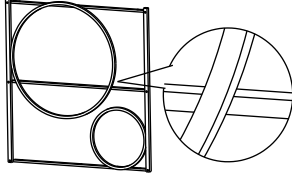
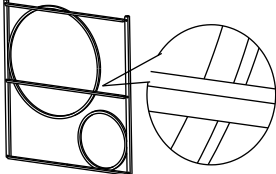
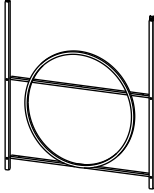
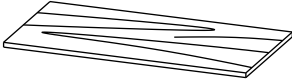
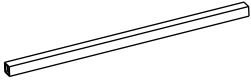


ASSEMBLY INSTRUCTION FOR ACME FURNITURE

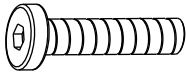
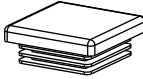
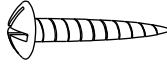

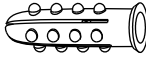



MODEL#92659

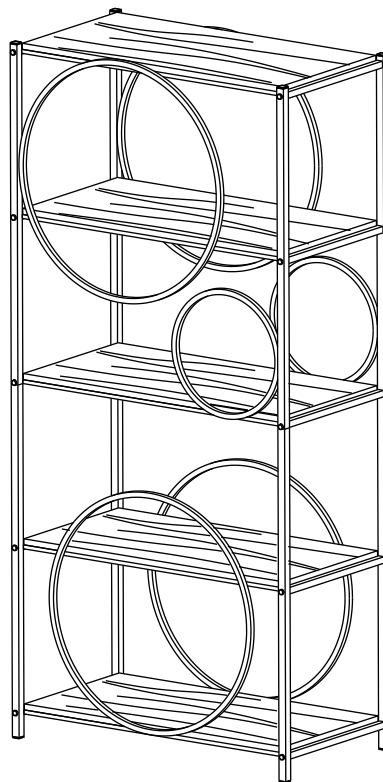
Thank you for purchasing this quality product. Be sure to check all packing material carefully for small parts which may have come loose inside the carton during shipment. Separate, identify and count all parts and metal hardware. Compare with parts list to be sure all parts are present. If any part(s) are missing or damaged, please contact your local furniture dealer. For efficient and speedy service, please indicate the model number and code letter of part(s) needed.

*****Do not fully tighten screws until fully assembled*****

COMPONENT PARTS		
DESCRIPTION	PART NAME	Q'TY (PCS)
(A)	FRONT UPPER SIDE PANEL 	1
(B)	BACK UPPER SIDE PANEL 	1
(C)	UNDER SIDE PANEL 	2
(D)	WOOD SHELF 	5
(E)	STRETCHER 	10

HARDWARE REQUIRED

①		BOLT	1/4" x 1-3/4"	20 PCS
②		END CAP	20 x 20mm	8 PCS
③		SCREW	5 x 7/8"	32 PCS
④		BOLT COVER	11mm	20 PCS
⑤		WALL ANCHOR	26mm	2 PCS
⑥		L BRACKET	25mm	2 PCS
⑦		PLASTIC STRAP	250mm	2 PCS
⑧		ALLEN KEY	1/4"	1 PCS



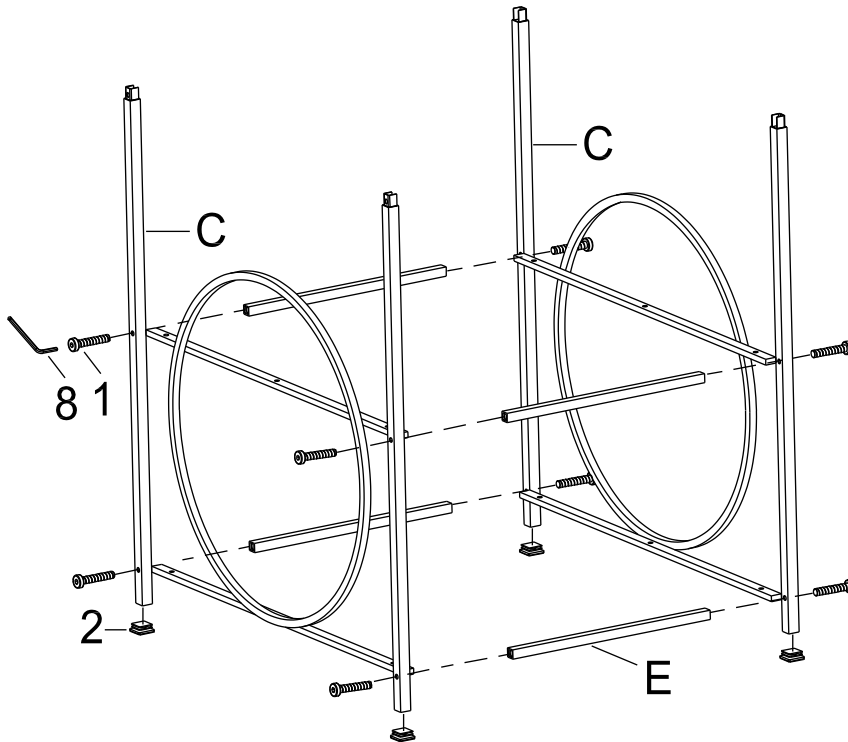
Attention

***Some number parts listed on the instruction sheet may not be in parts bag as they may be assembled.

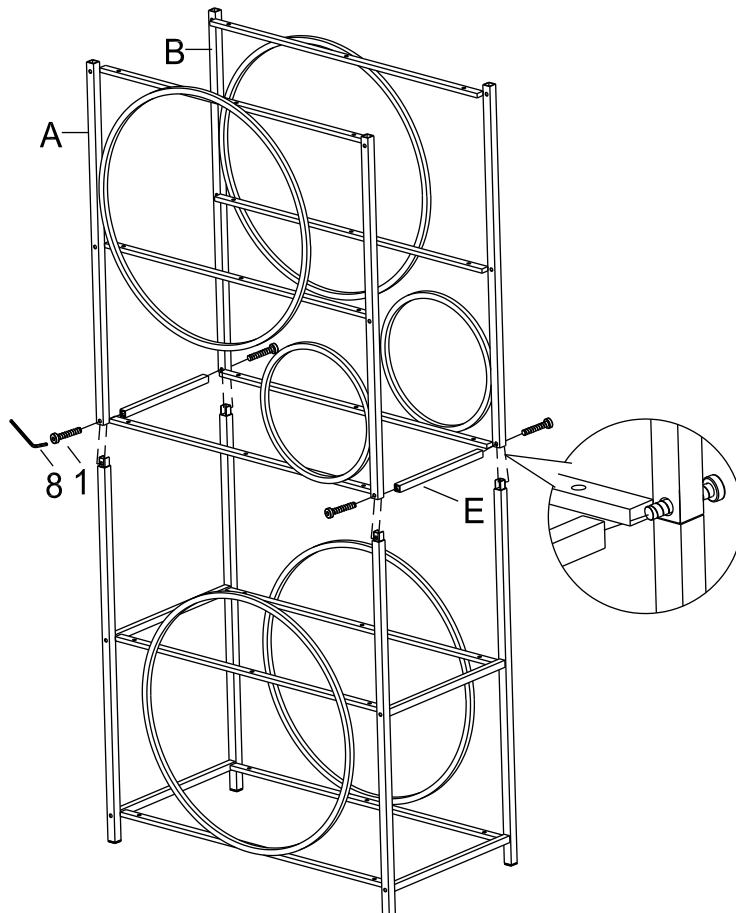
Carefully check parts and packing materials prior to ordering replacements.

How to assemble:

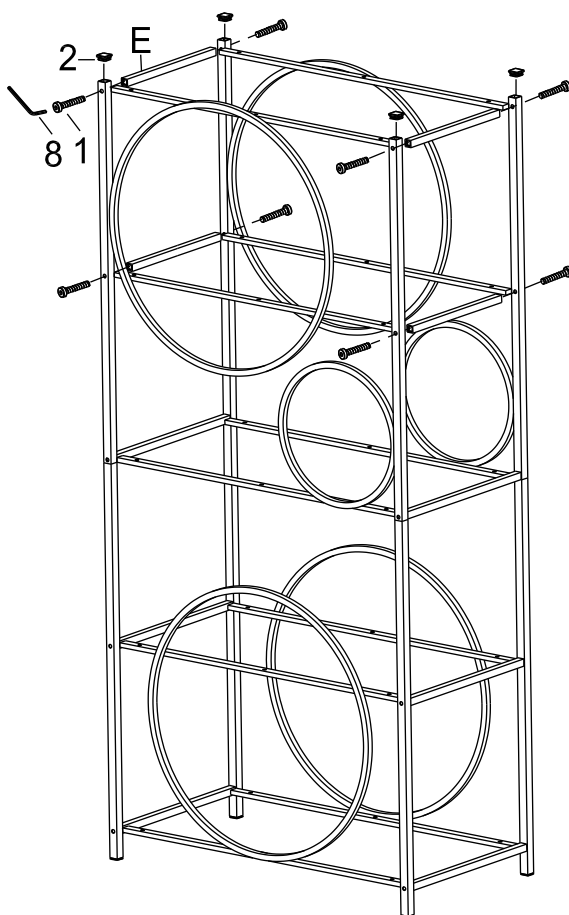
STEP 1



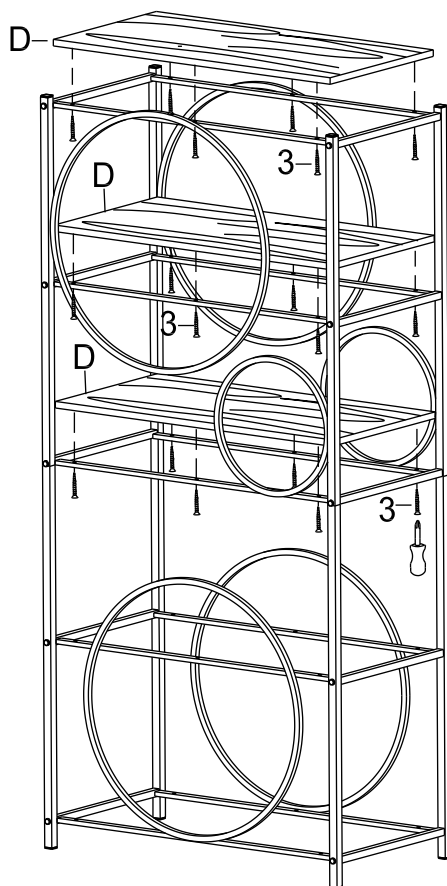
STEP 2



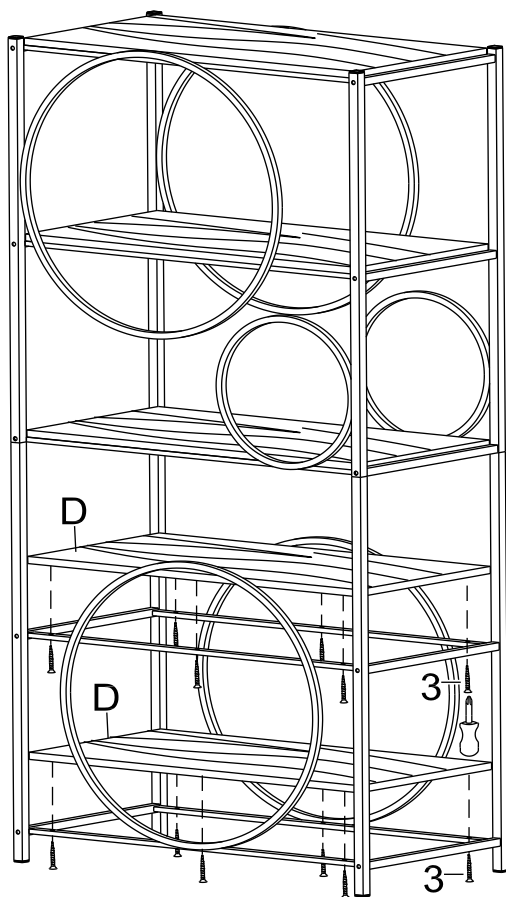
STEP 3



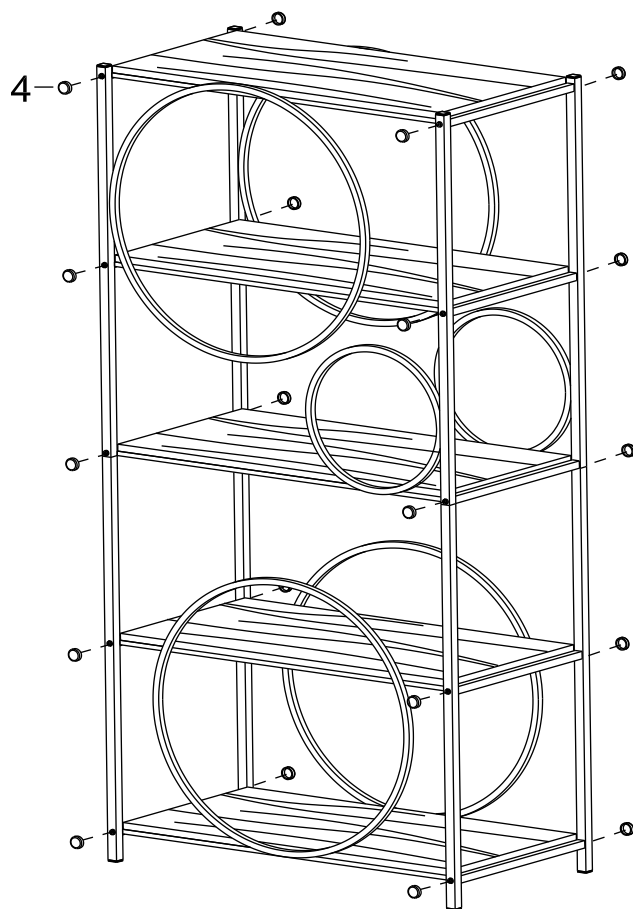
STEP 4



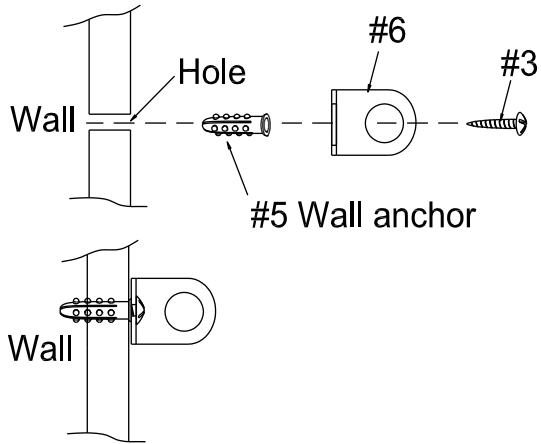
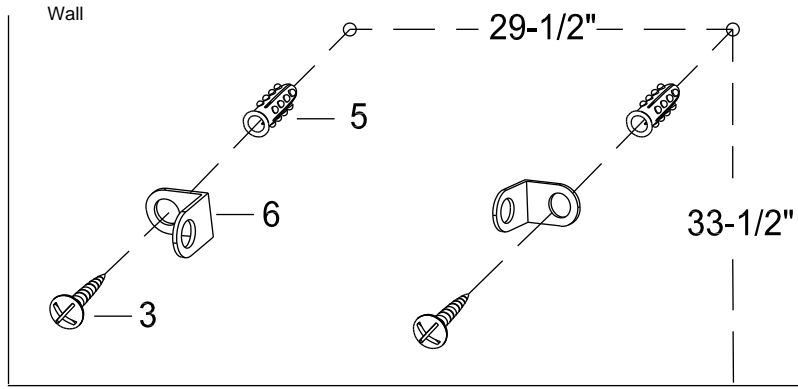
STEP 5



STEP 6



STEP 7



STEP 8

