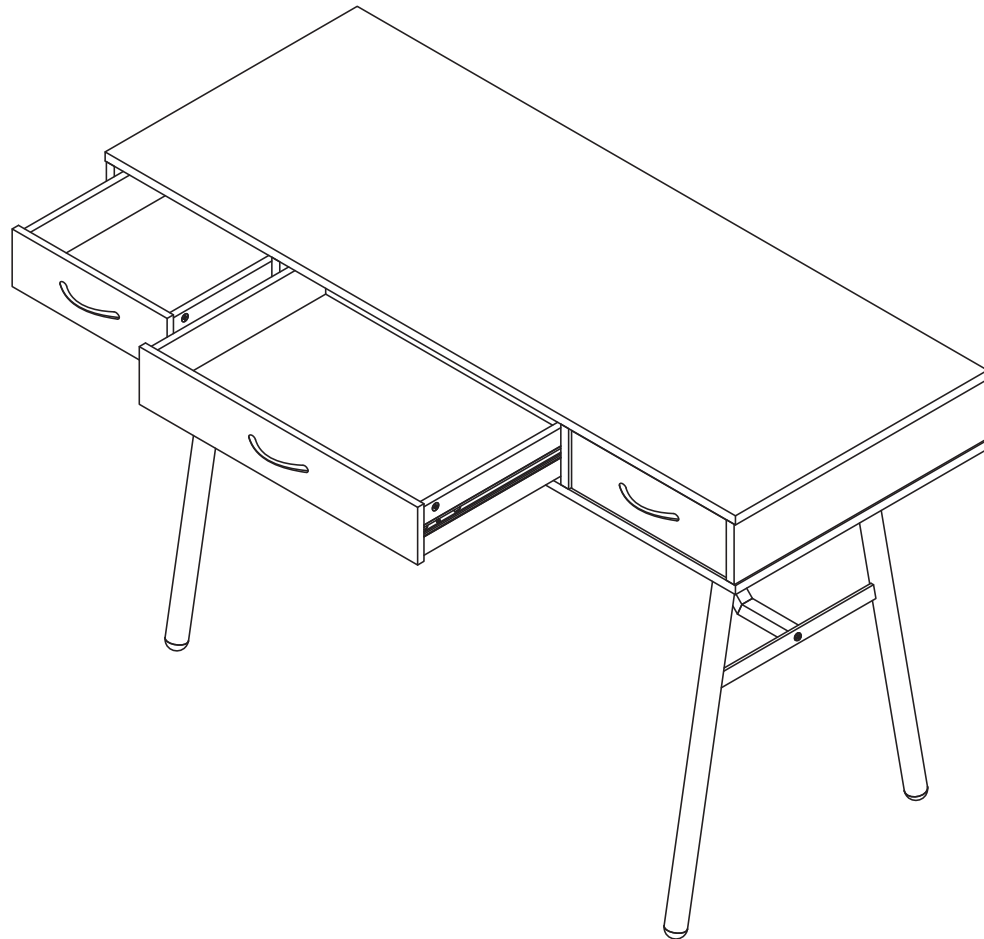


ASSEMBLY INSTRUCTION FOR ACME FURNITURE

MODEL # 92645

Thank you for purchasing the quality product. Be sure to check all packing material carefully for small parts which may have come loose inside the carton during shipment. Separate, identify and count all parts and metal hardware. Compare with all parts list to be sure all parts are present. If any part(s) are missing or damaged, please contact your local furniture dealer. For efficient and speedy service, please indicate the model number and code letter of part(s) needed.

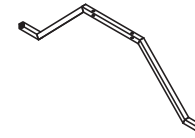
*** Do not fully tighten screws until fully assembled ***



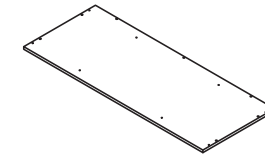
92645



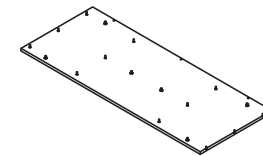
1 x2



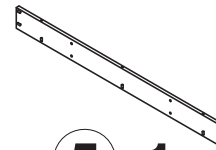
2 x1



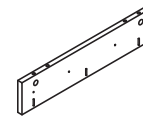
3 x1



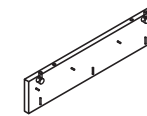
4 x1



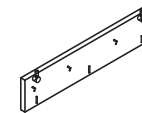
5 x1



6 x1



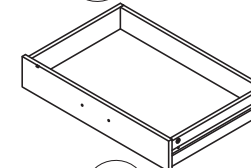
7 x1



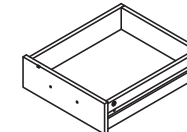
8 x2



9 x6



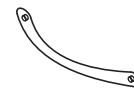
10 x1



11 x2



A x4



B x3



C x8



D x8



E x18



F x12



12L G x6



15L H x6



15L I x4



32L J x4



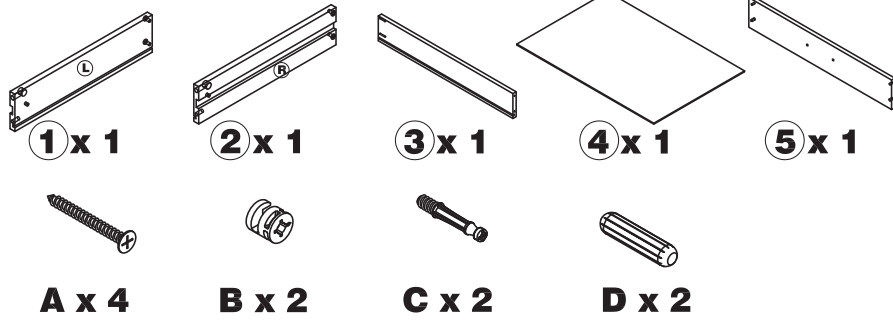
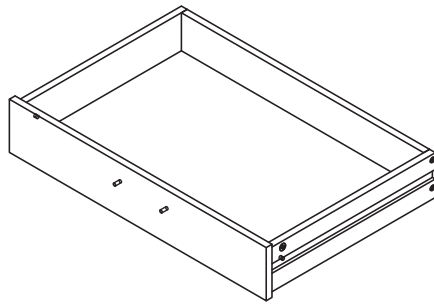
K x18



4mm L x1

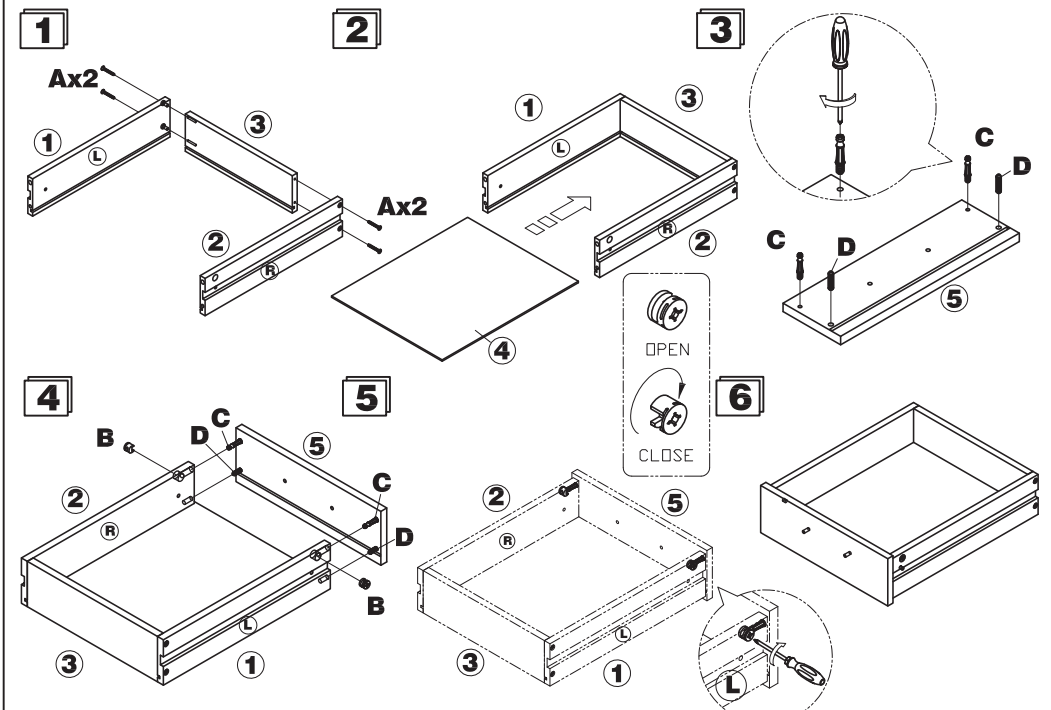
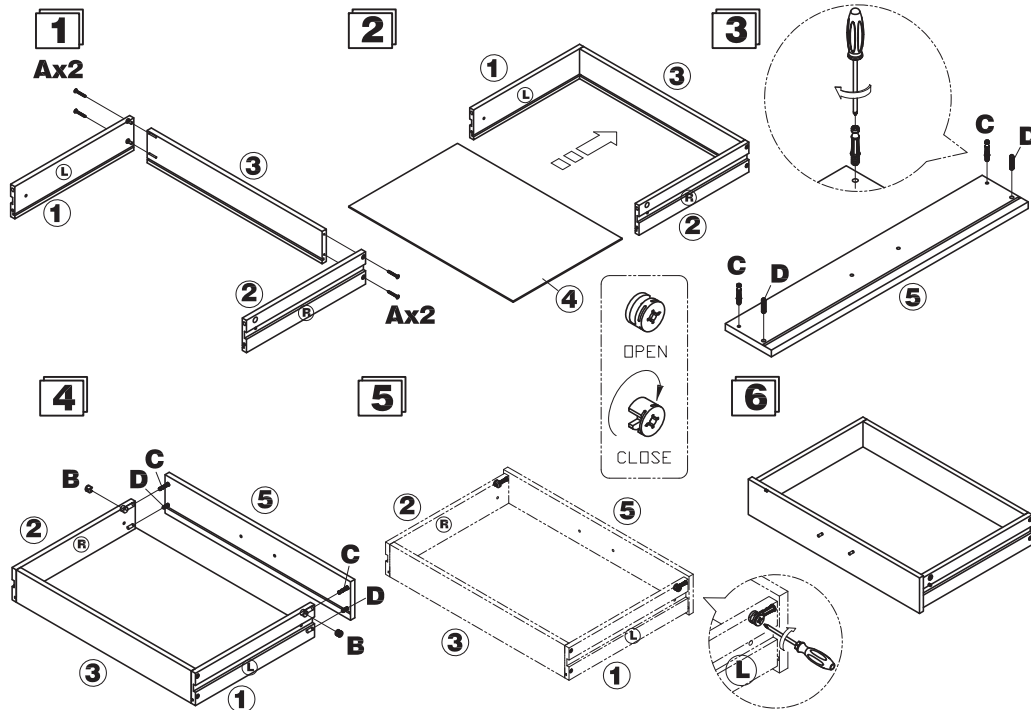
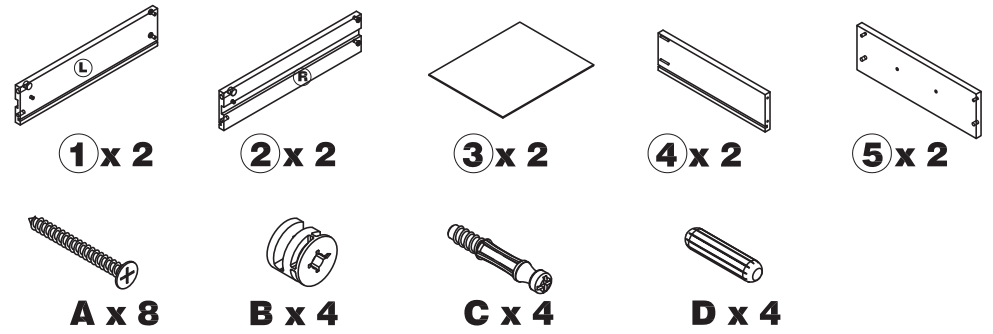
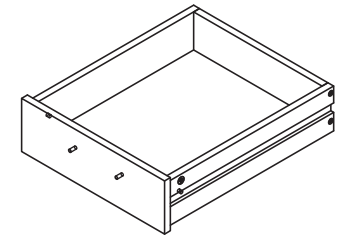
92645

10 x1



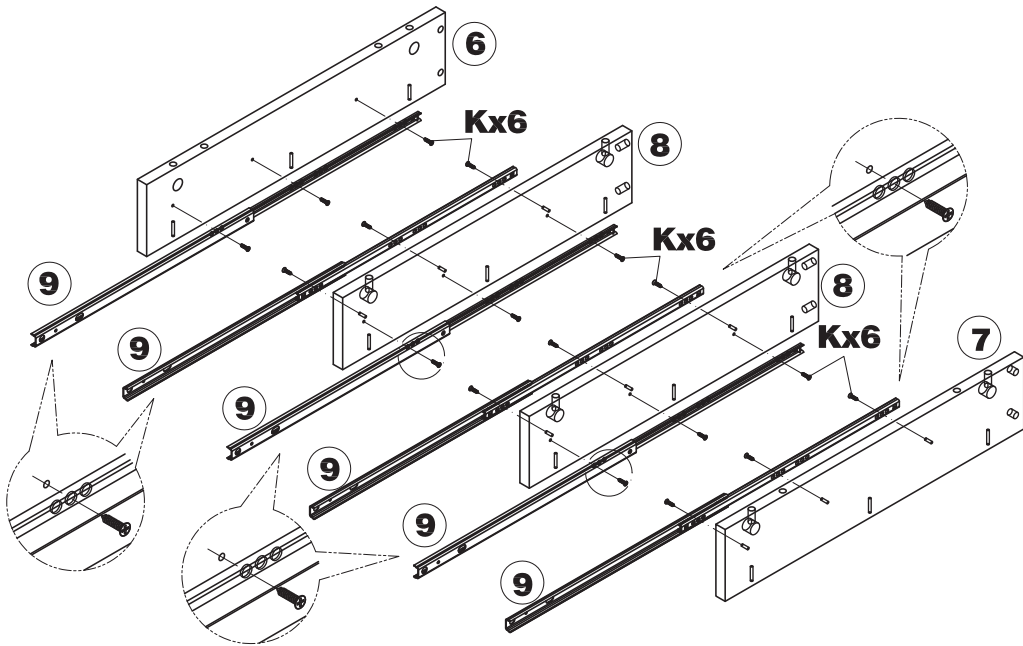
92645

11 x2

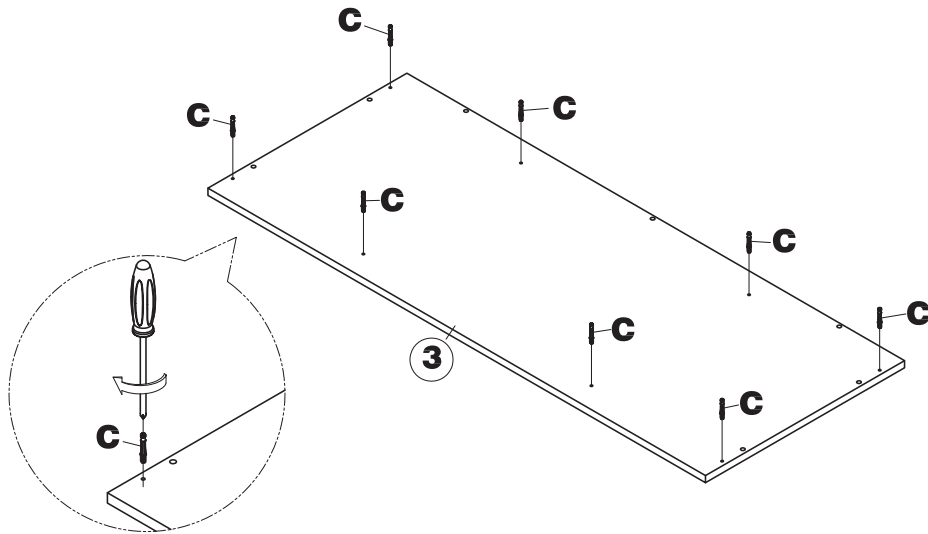


1

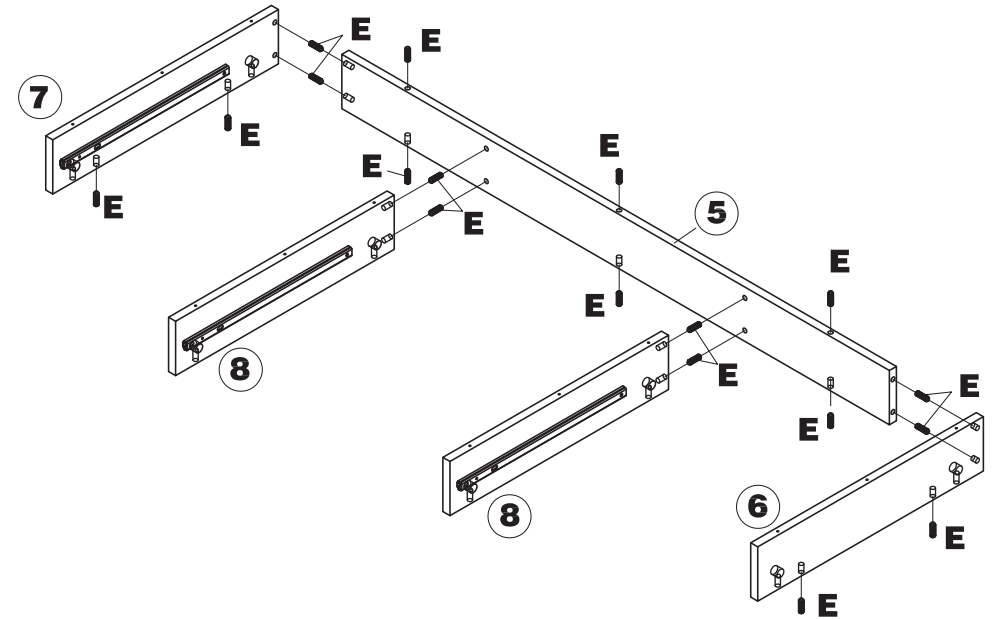
Use screws K to fix rail 9 on wood boards 6, 8 & 7

**2**

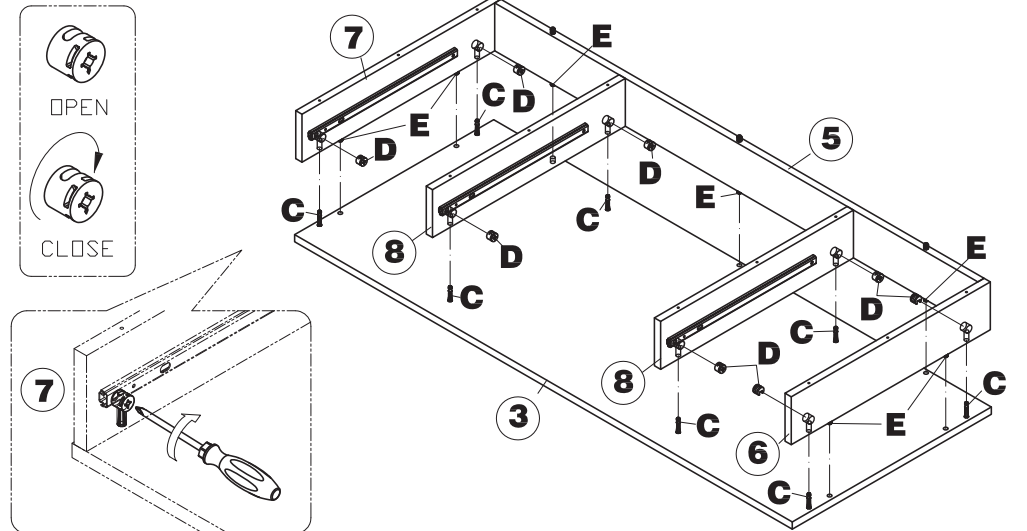
Use screw drive to install bolts C on wood board 3

**3**

Insert wood pins E in wood boards 5, 6, 7 and 8, then assemble wood board 5 with wood board wood boards 6,7 and 8

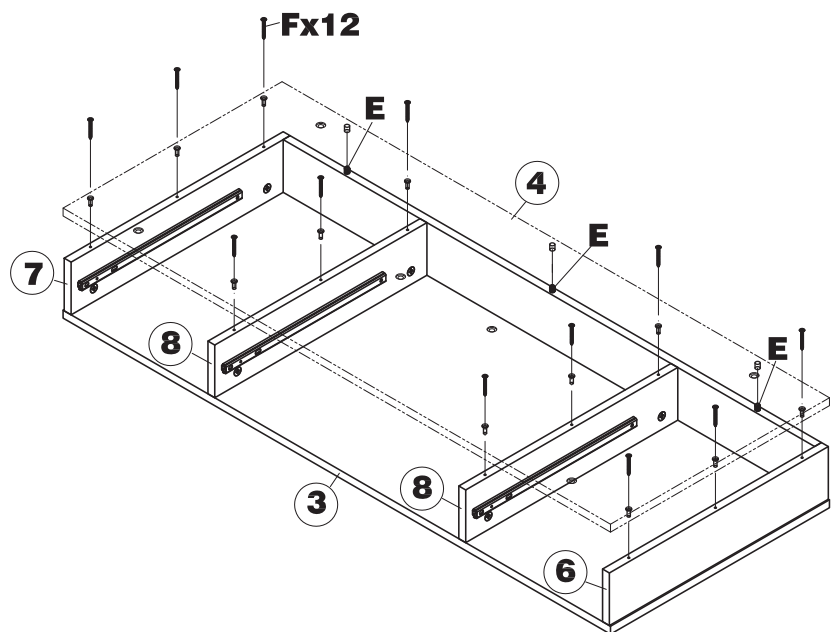
**4**

Insert nuts D in wood boards 6,7 and 8, then place whole drawer body on wood board 3, next use screw drive to lock nuts. (Please see the narrow aspart on the nut D before you place drawer body on wood board 3)

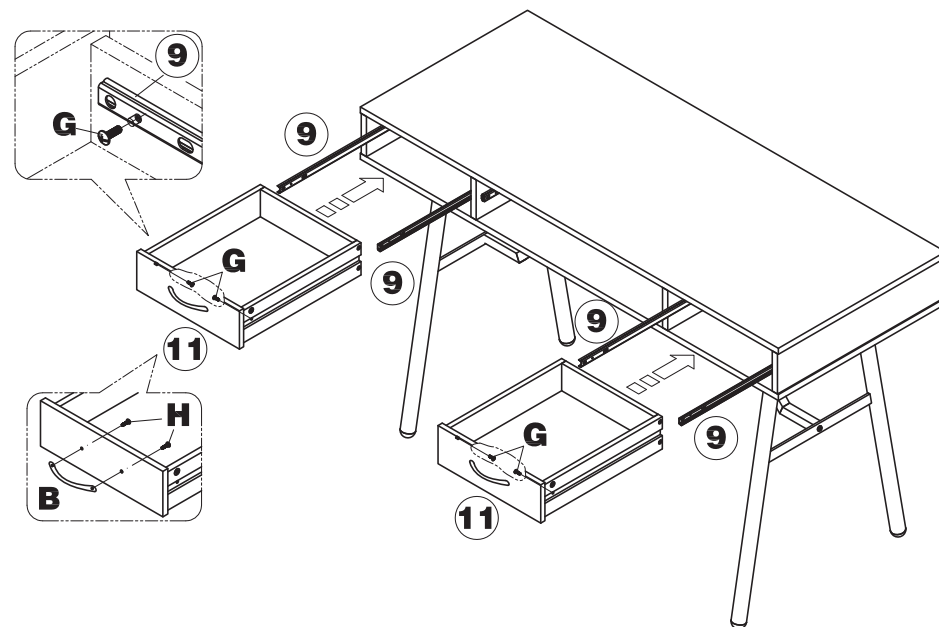


5

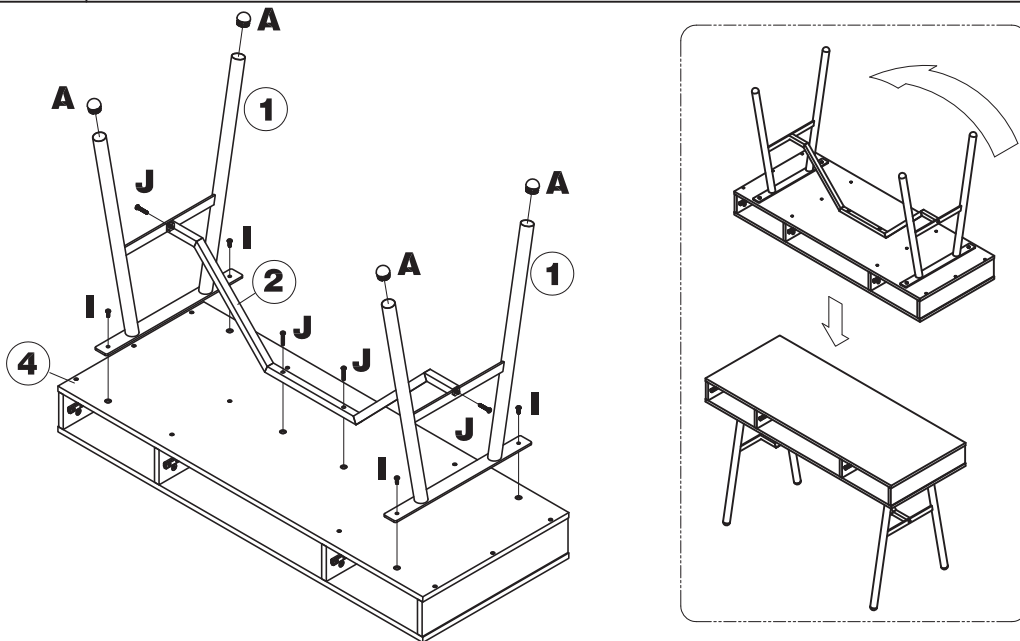
Place bottom board 4 on whole drawer body, then use screws F to fix bottom board 4 with whole drawer body

**7**

Use screws G to fix rail 9 with drawer 11, then use screws H to fix handle B

**6**

Insert end caps A in leg 1, then use screws I and J to fix leg 1 and support bar 2 with drawer body. After assembled, please turn desk up

**8**

Use screws G to fix rail 9 with drawer 10, then use screws H to fix handle B

