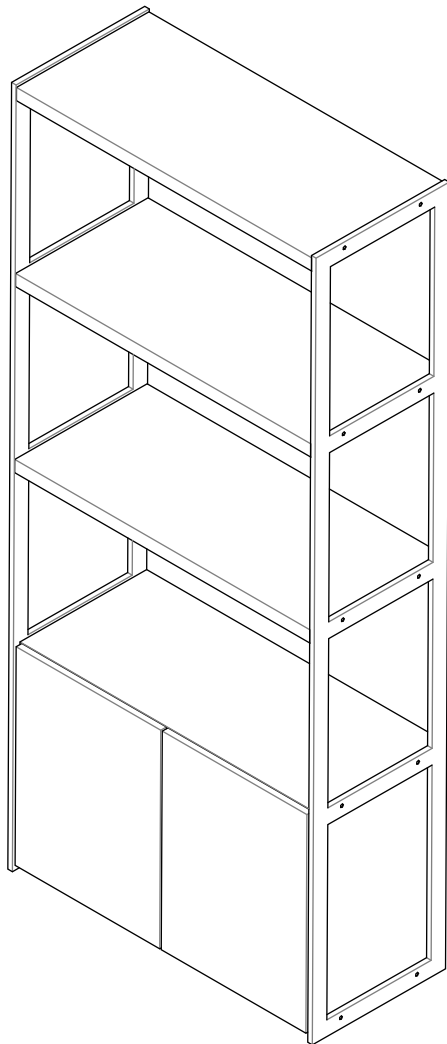


*ASSEMBLY INSTRUCTIONS*

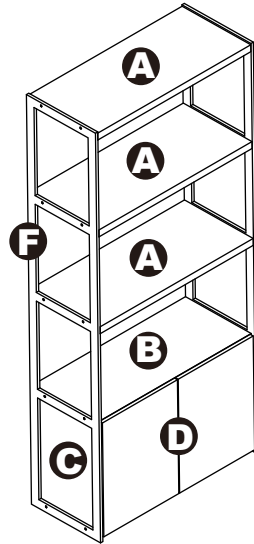
92442



**BOOKCASE**

# BOOKCASE

92442

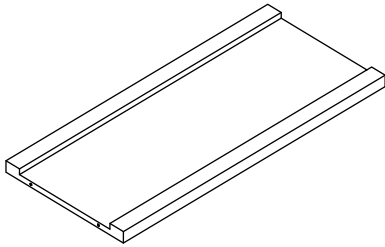


## DIMENSIONS

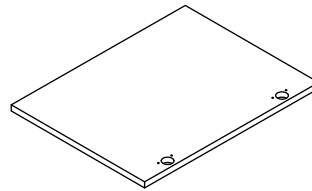
Width - 31.5"  
 Depth - 13.78"  
 Height - 70.28"

## PARTS LIST

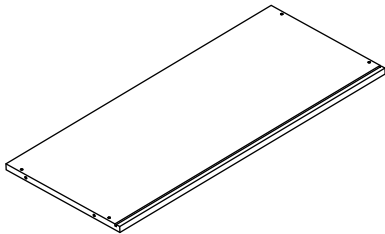
**A** X3



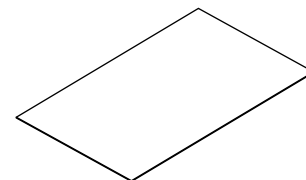
**D** X2



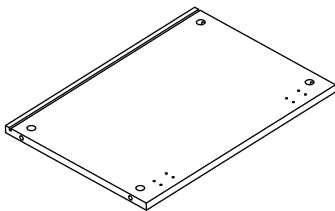
**B** X2



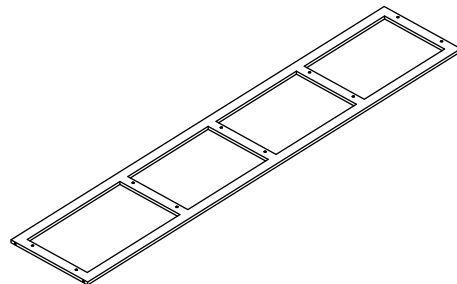
**E** X1



**C** X2



**F** X2



## HARDWARE LIST

**1** X8



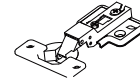
**2** X8



**3** X20



**4** X4



**5** X16



**6** X4



**7** X4



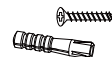
**8** X4



**9** X1



**10** X1

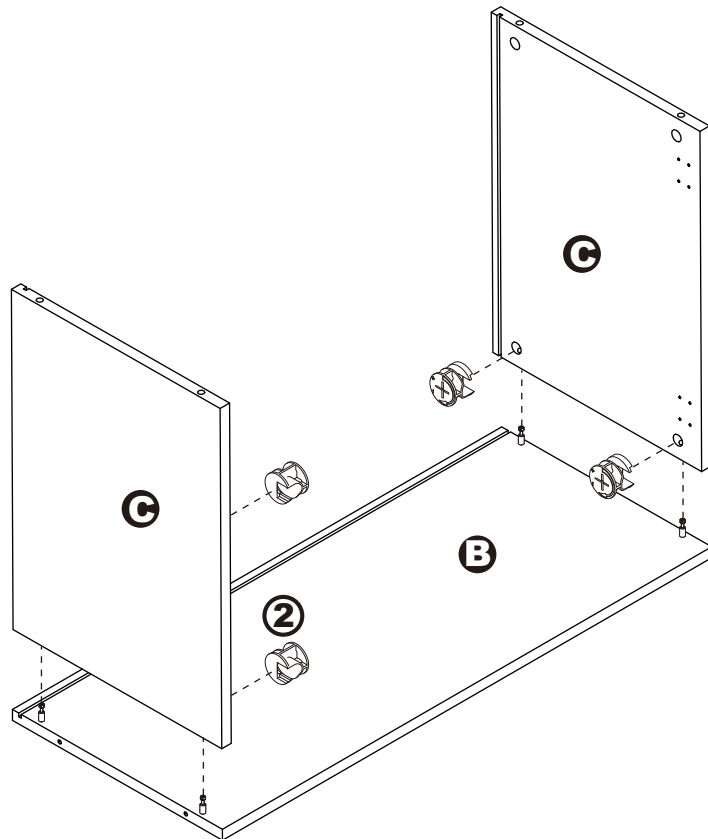
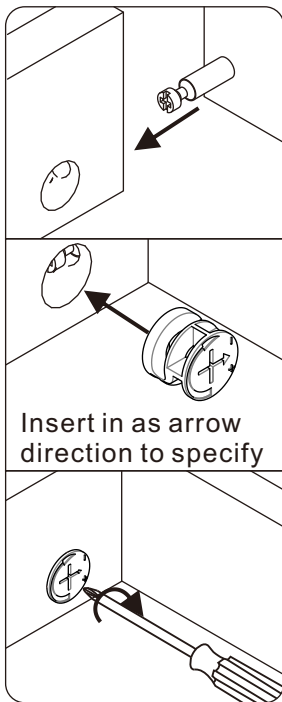
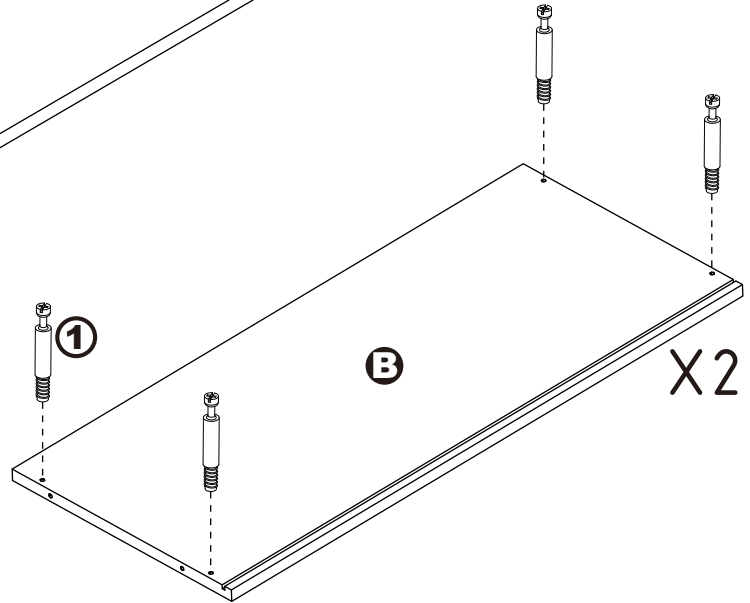
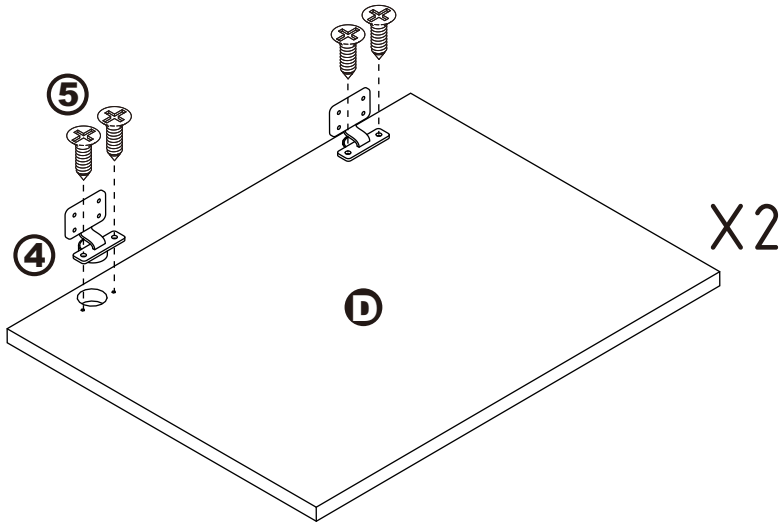


**11** X1



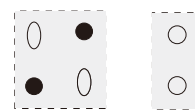
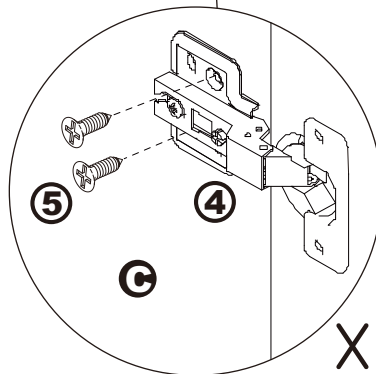
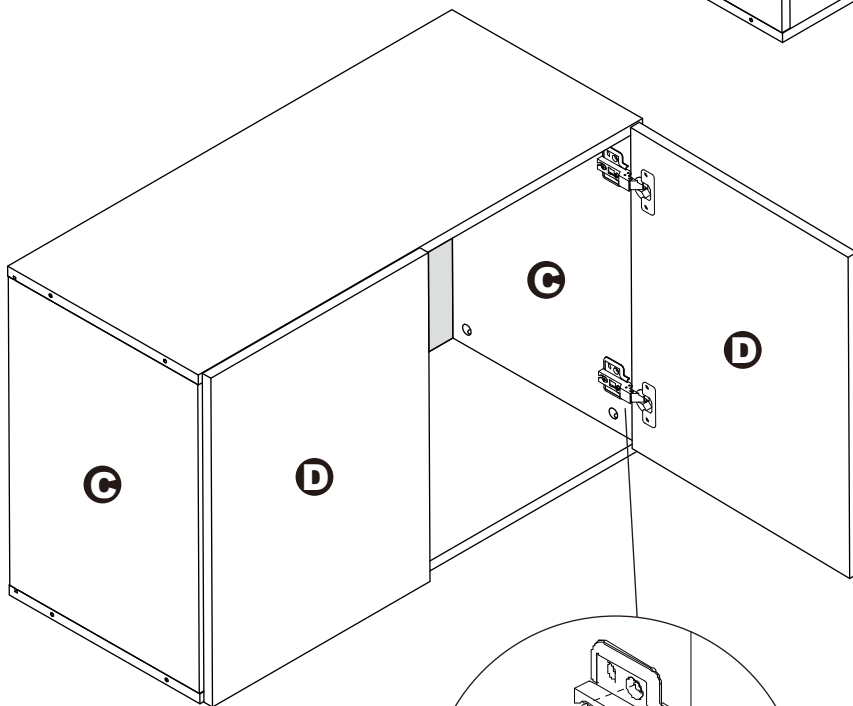
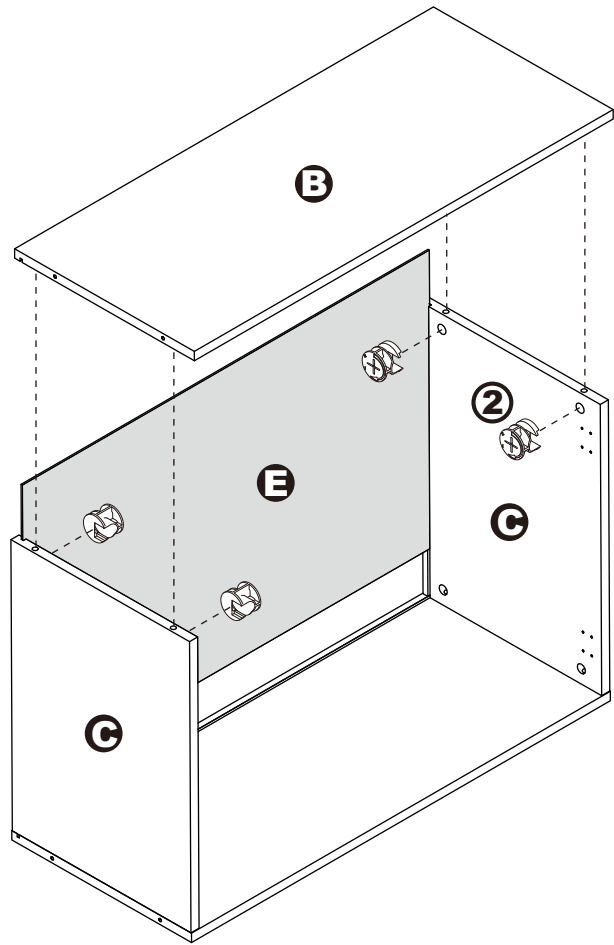
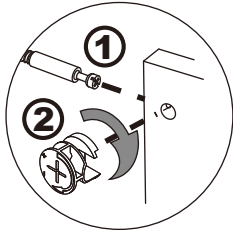
# ASSEMBLY INSTRUCTIONS

## Step 1.



# ASSEMBLY INSTRUCTIONS

## Step 2.

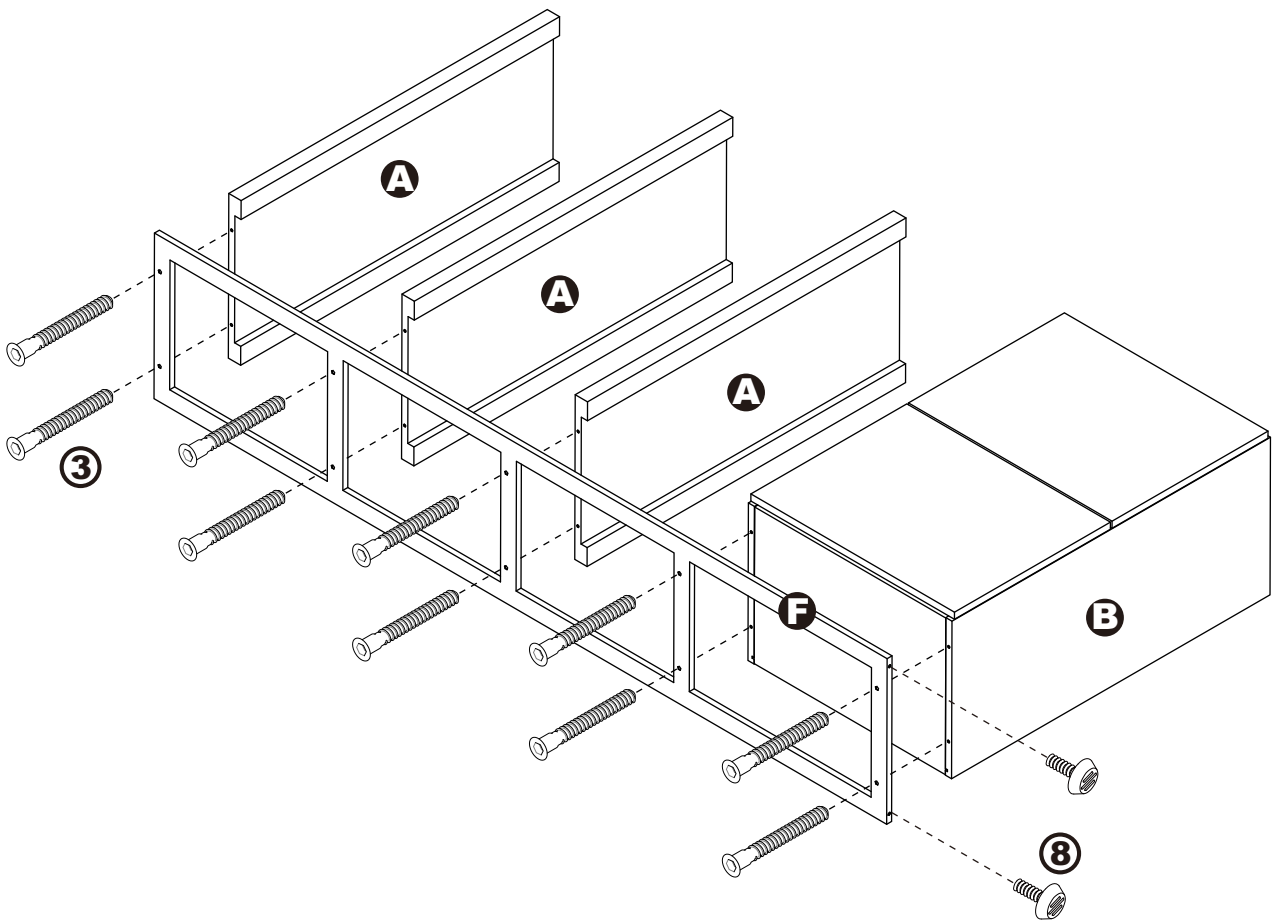
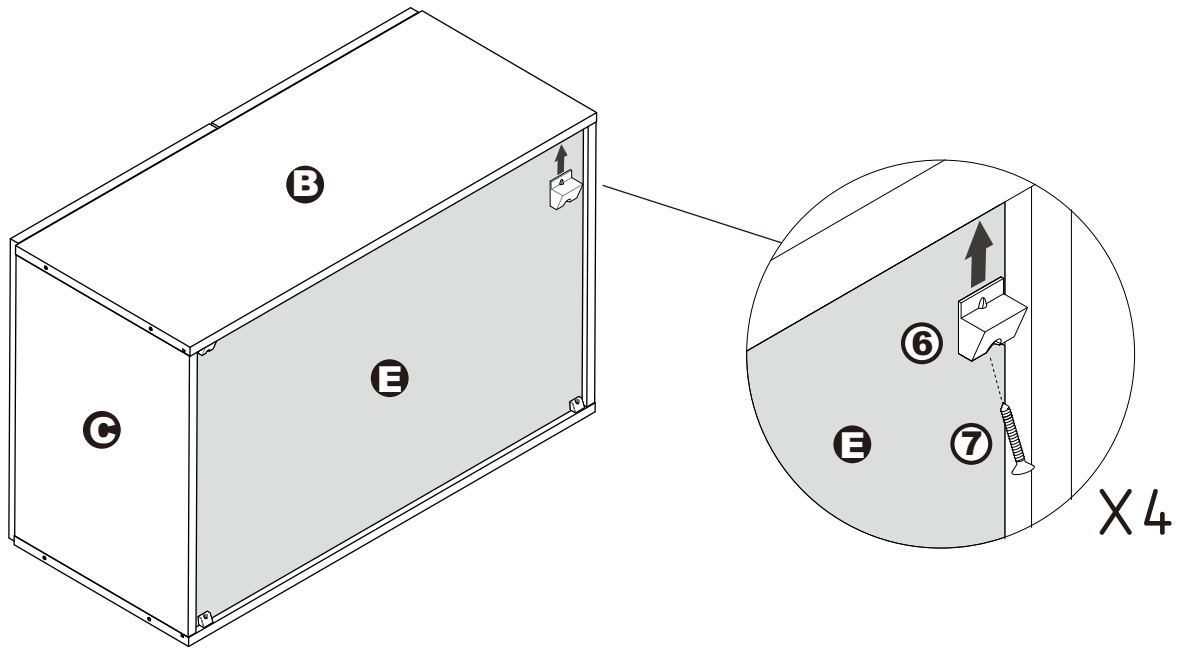


hole usage

X4

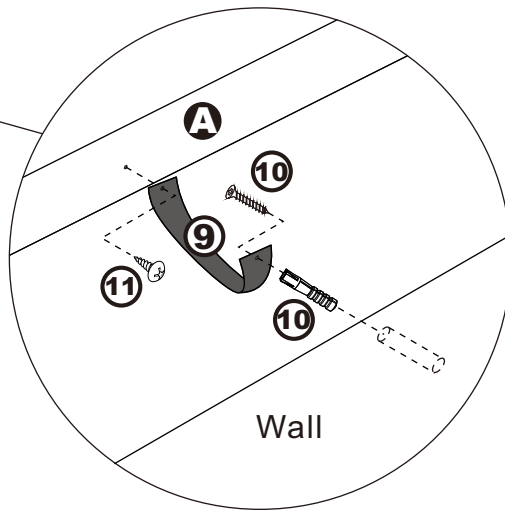
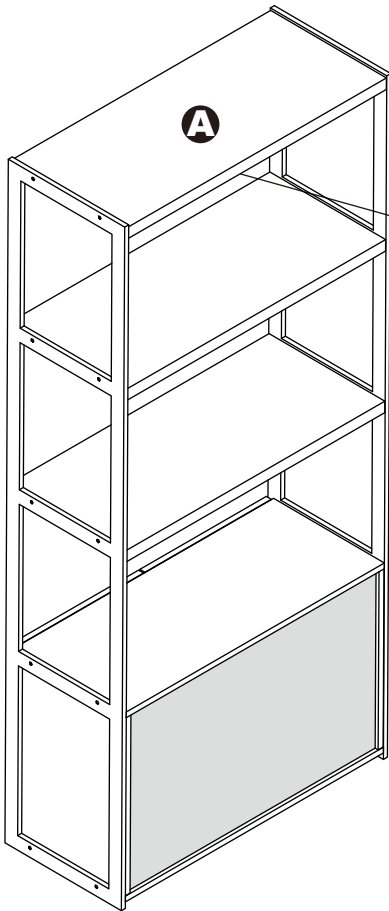
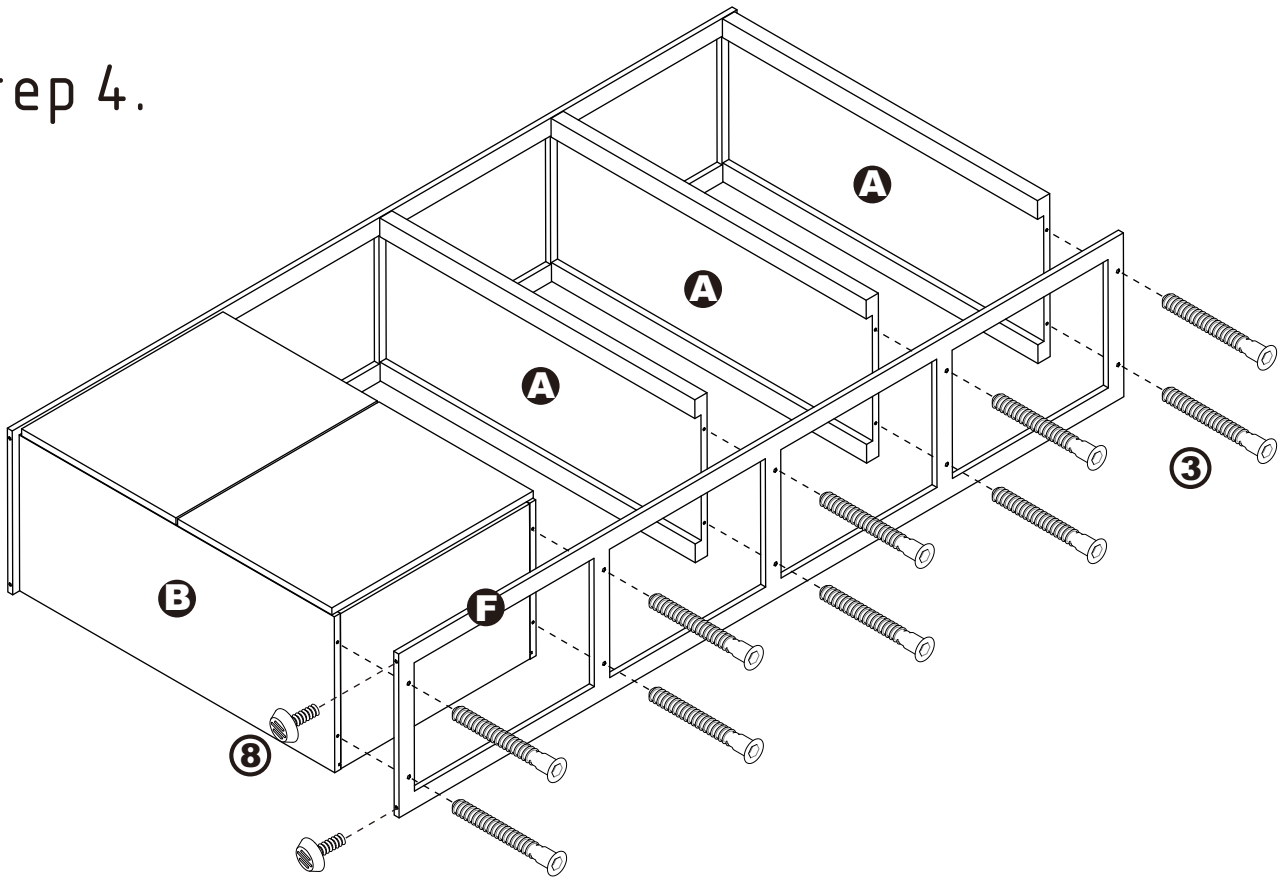
# ASSEMBLY INSTRUCTIONS

## Step 3.



# ASSEMBLY INSTRUCTIONS

## Step 4.



For safety, please use the strap to secure the unit on the wall

## ASSEMBLY IS COMPLETED

Make sure the product is rested on a flat surface and does not feel loose or wobbly. If it does, double check that the bolts/screws are secured and properly tightened.