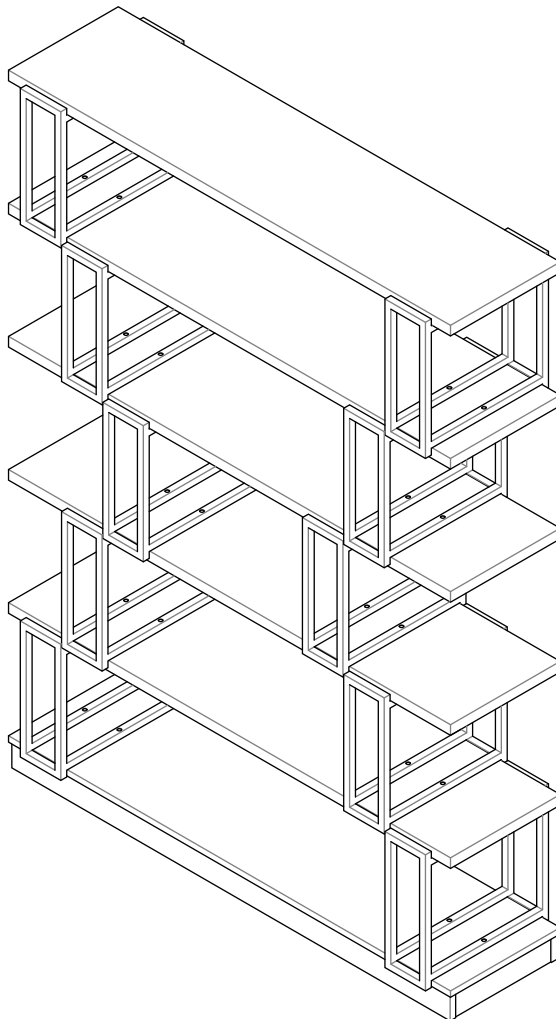


*ASSEMBLY INSTRUCTIONS*

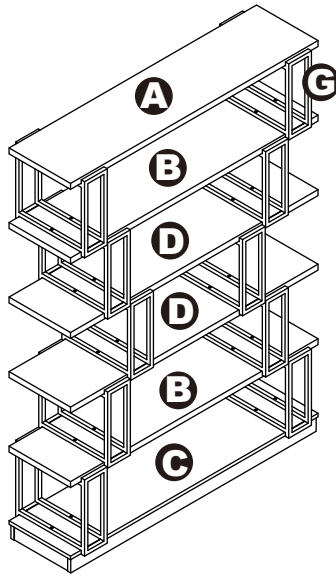
92408



**BOOKCASE**

# BOOKCASE

92408

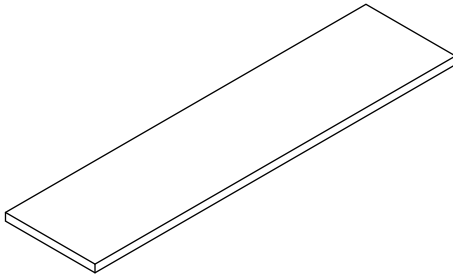


## DIMENSIONS

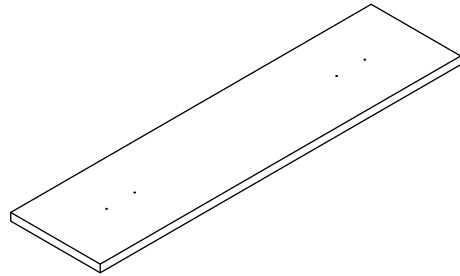
Width - 47.24"  
Depth - 13.15"  
Height - 64.57"

## PARTS LIST

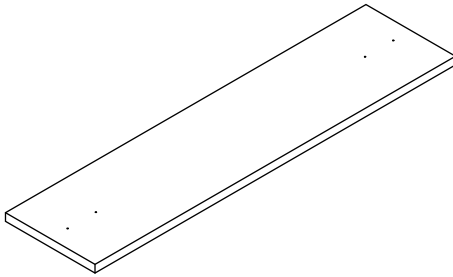
**A** X1



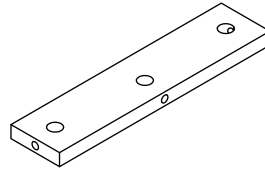
**D** X2



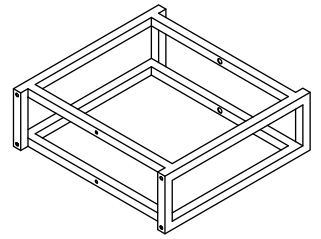
**B** X2



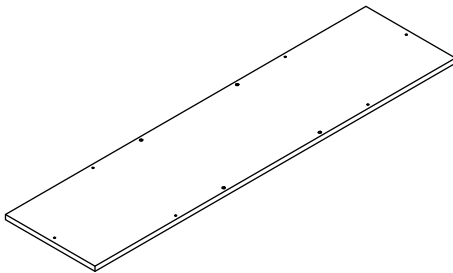
**E** X2



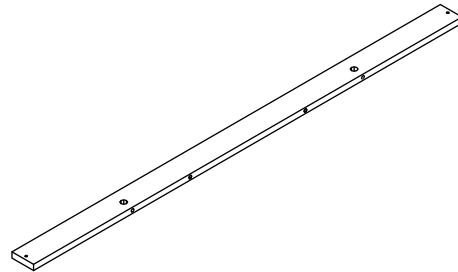
**G** X10



**C** X1



**F** X2



## HARDWARE LIST

**1** X10



**2** X10



**3** X4



**4** X40



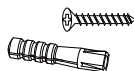
**5** X6



**6** X1



**7** X1

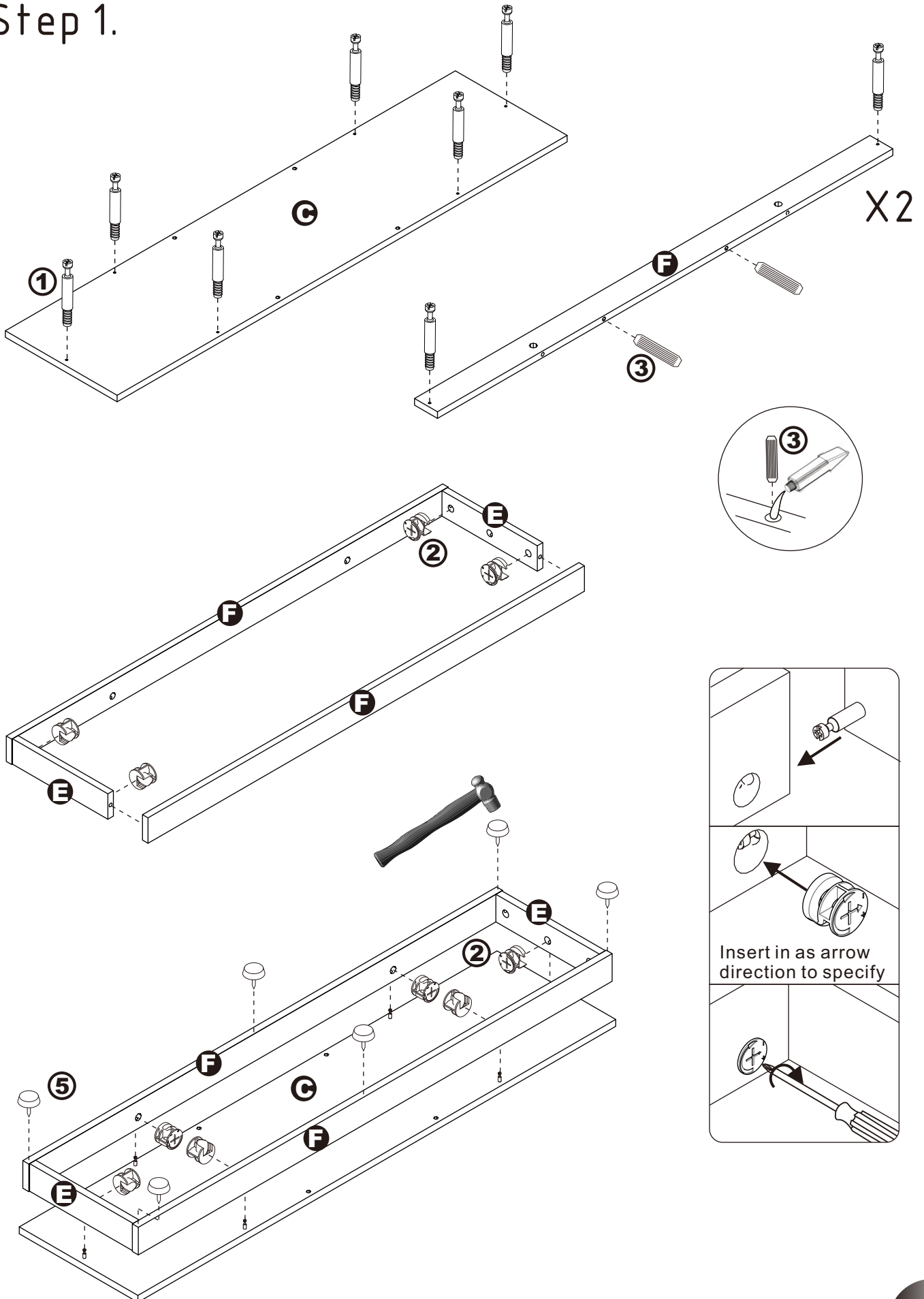


**8** X1



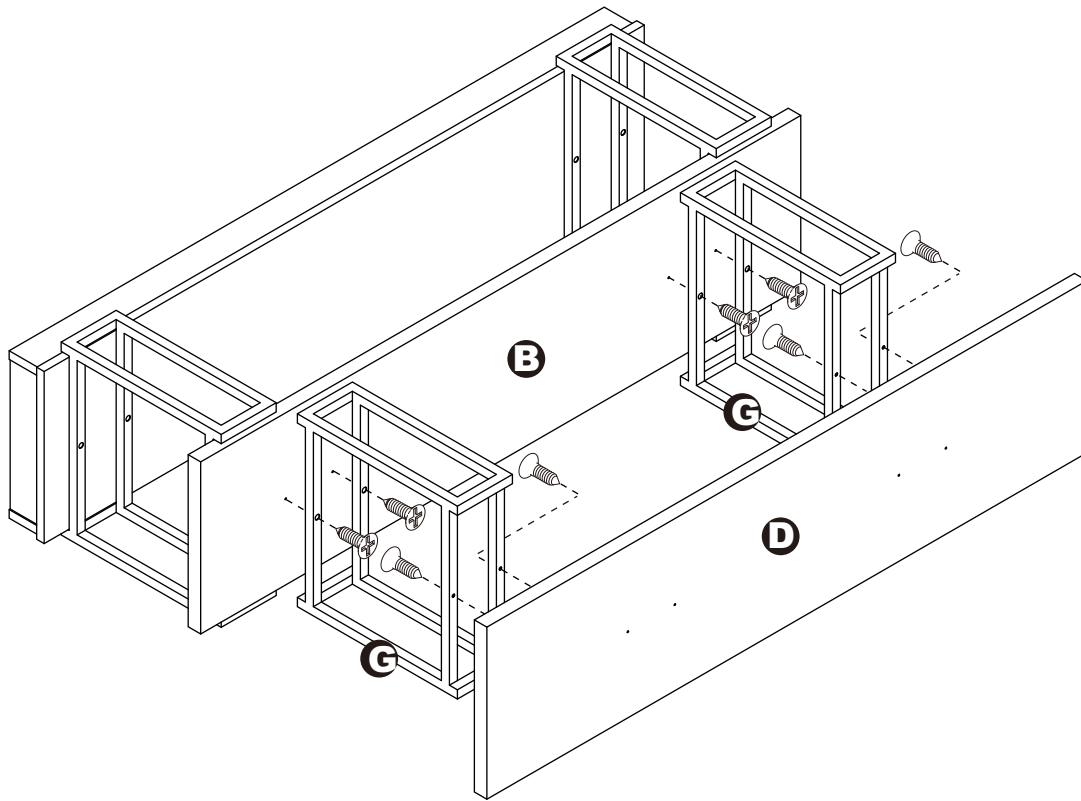
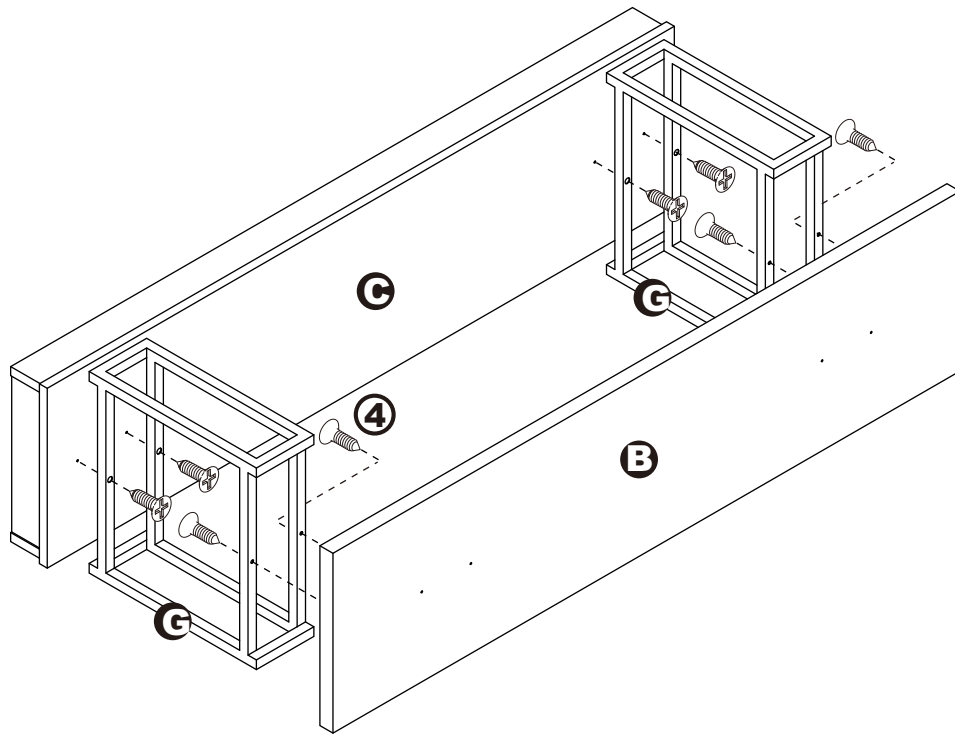
# ASSEMBLY INSTRUCTIONS

## Step 1.



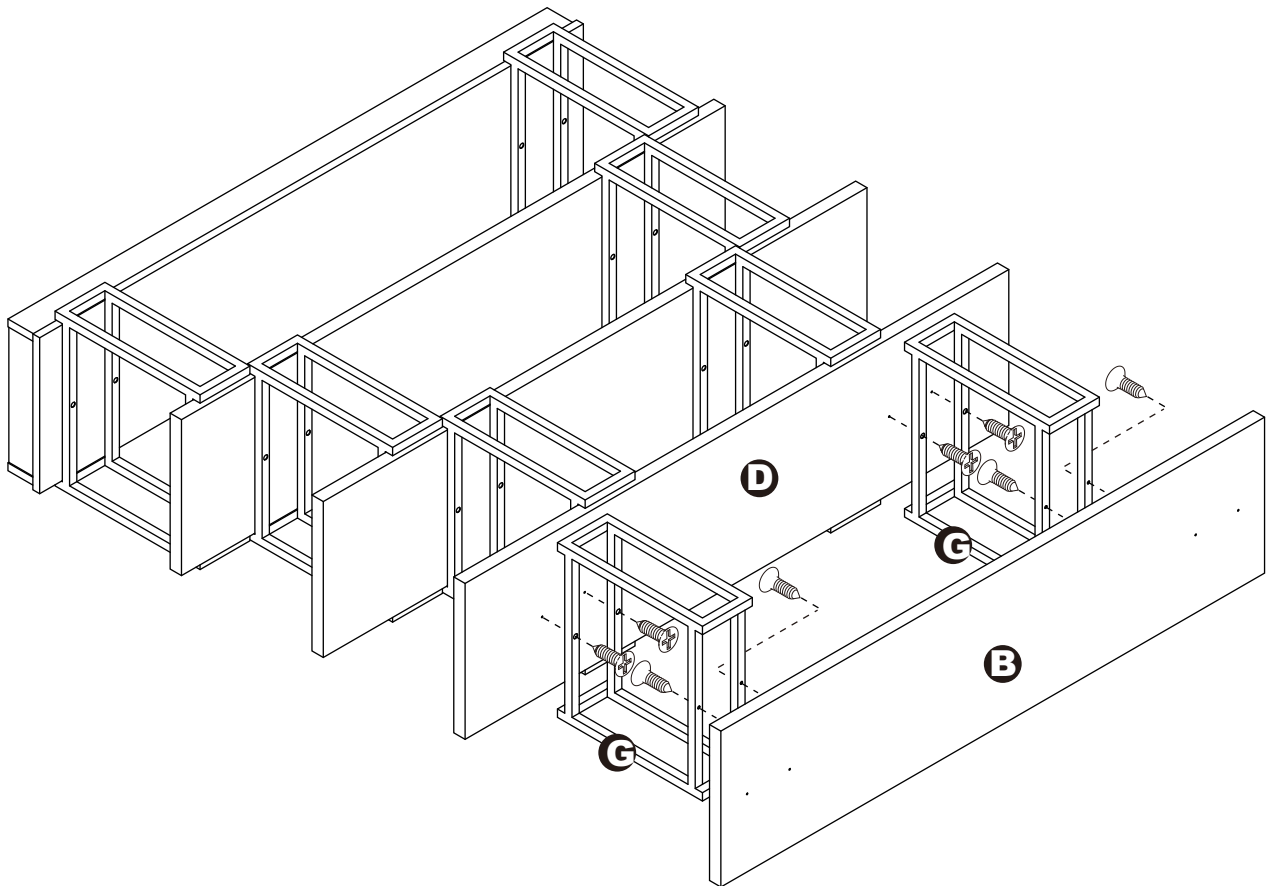
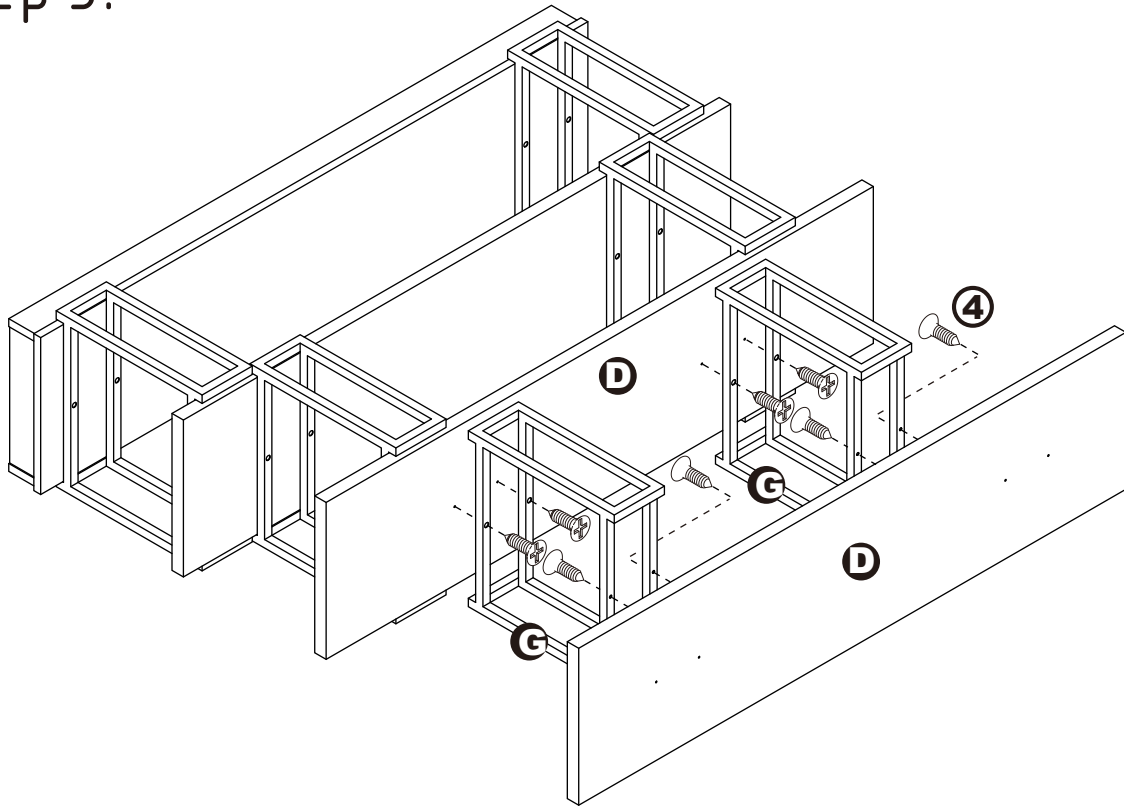
# ASSEMBLY INSTRUCTIONS

## Step 2.



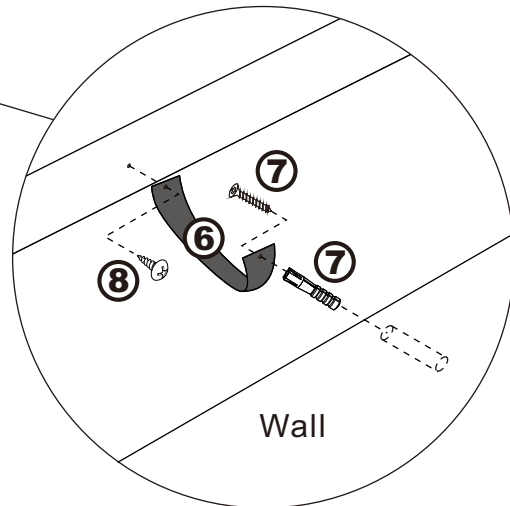
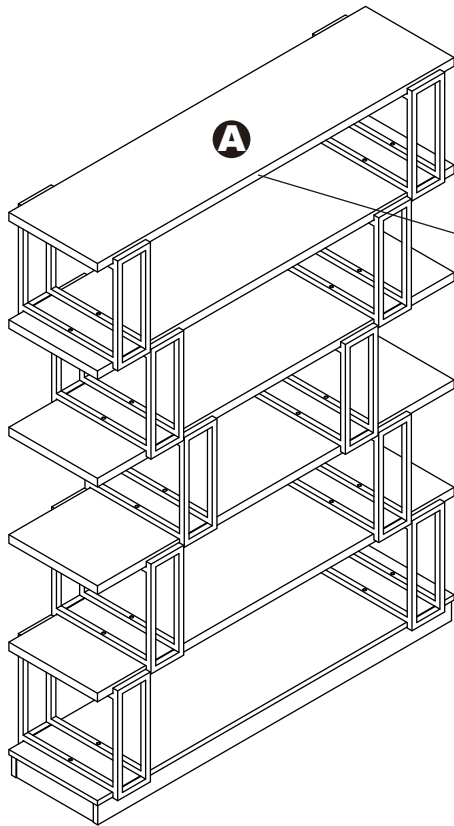
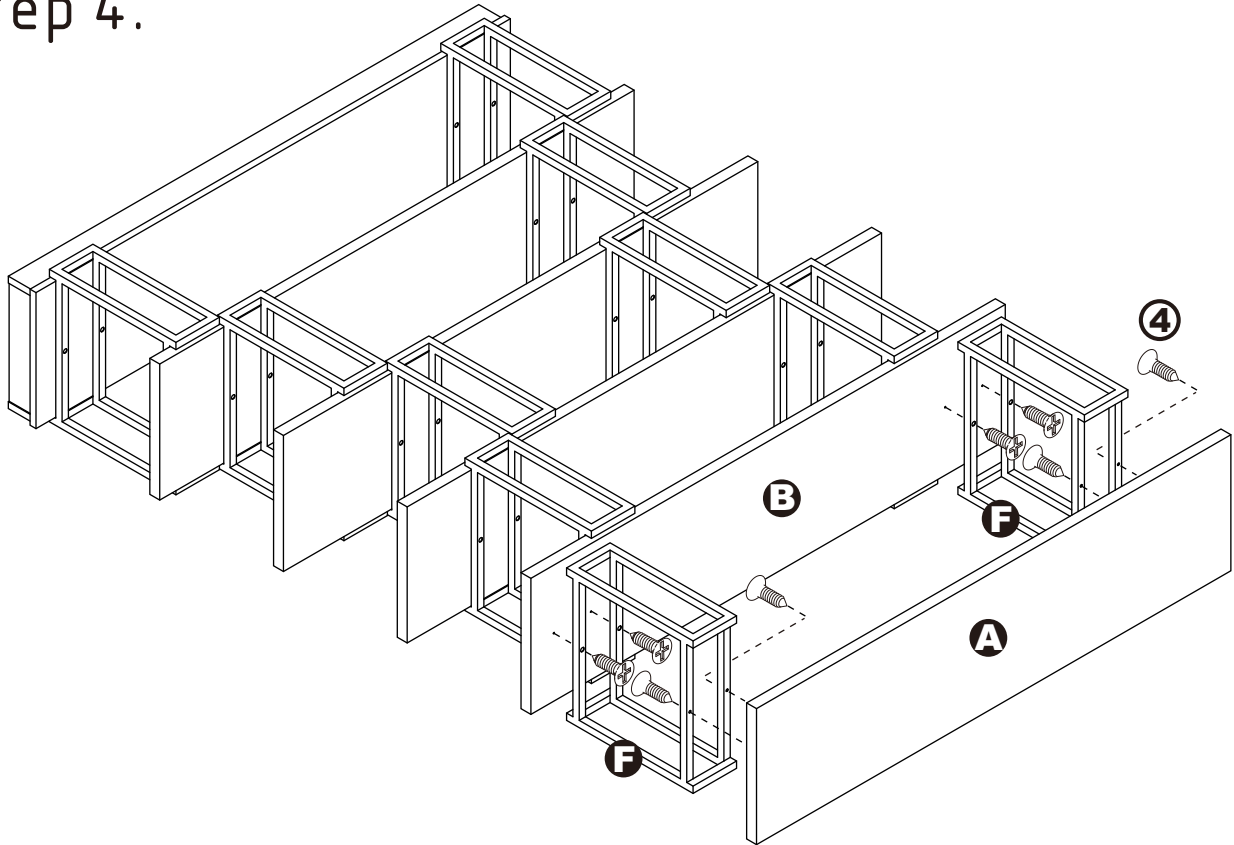
# ASSEMBLY INSTRUCTIONS

## Step 3.



# ASSEMBLY INSTRUCTIONS

## Step 4.



For safety, please use the strap to secure the unit on the wall

## ASSEMBLY IS COMPLETED

Make sure the product is rested on a flat surface and does not feel loose or wobbly. If it does, double check that the bolts/screws are secured and properly tightened.