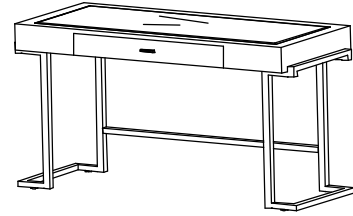
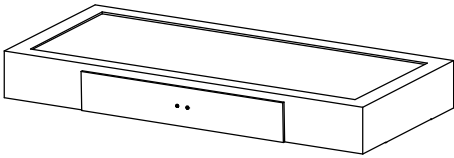
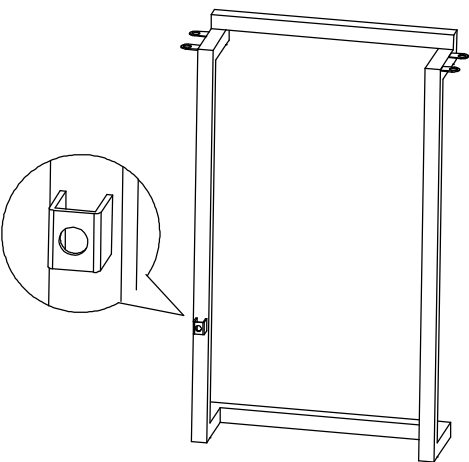
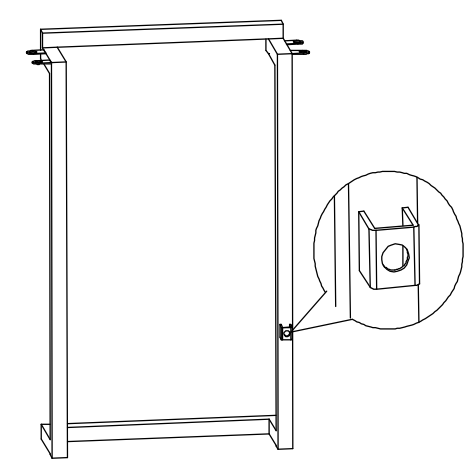
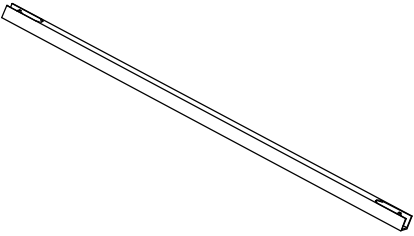
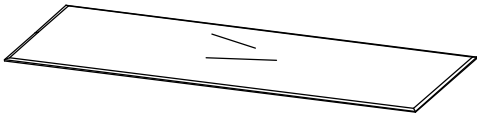
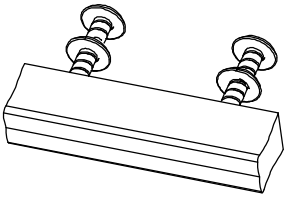
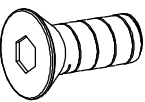
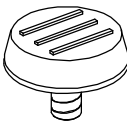
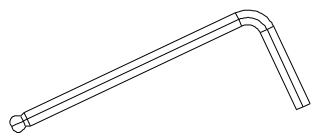


ITEM NO. 92334 - WHITE
ITEM NO. 92336 - BROWN

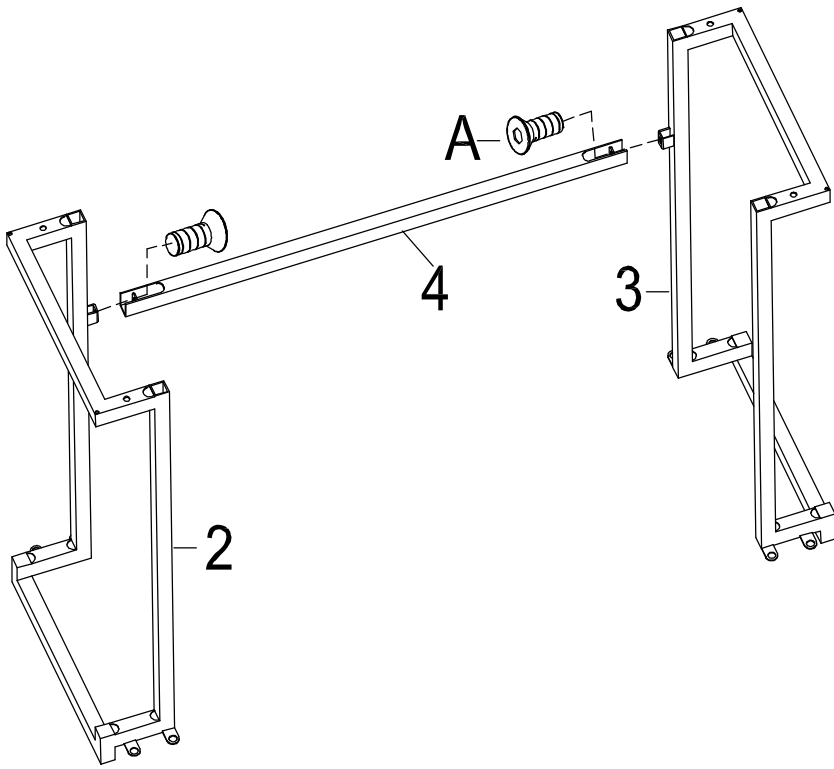


ASSEMBLY INSTRUCTIONS

| | | |
|---|--|---|
| <p style="text-align: center;">1</p>  <p style="text-align: center;">TABLE TOP W/ DRAWER 1PC</p> | <p style="text-align: center;">2</p>  <p style="text-align: center;">RIGHT SIDE PANEL 1PC</p> | <p style="text-align: center;">3</p>  <p style="text-align: center;">LEFT SIDE PANEL 1PC</p> |
| <p style="text-align: center;">4</p>  <p style="text-align: center;">BACK STRETCHER 1PC</p> <p style="text-align: center;">A</p> | <p style="text-align: center;">5</p>  <p style="text-align: center;">MIRROR TOP 1PC</p> <p style="text-align: center;">B</p> | <p style="text-align: center;">6</p>  <p style="text-align: center;">HANDLE 1PC</p> <p style="text-align: center;">C</p> |
|  <p style="text-align: center;">BOLT 1/4" X 1/2" 10PCS</p> |  <p style="text-align: center;">LEVELER 4PCS</p> |  <p style="text-align: center;">ALLEN KEY 1PC</p> |

***** Do not tighten screws & bolts until the entire unit is completely assembled. *****

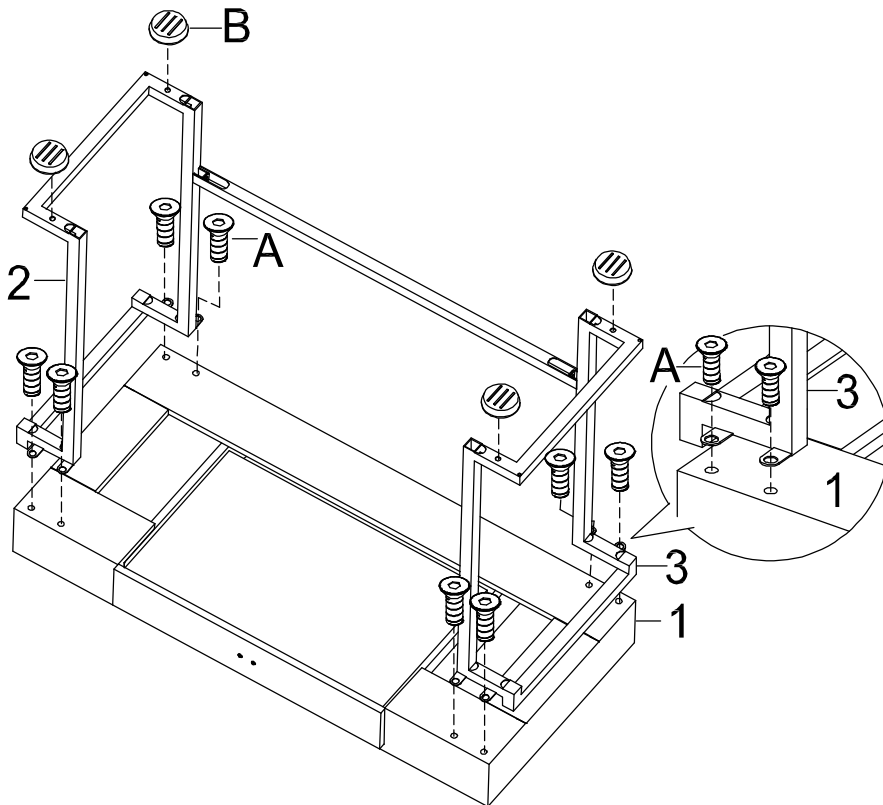
STEP 1



*Please put all parts on a soft surface to prevent scratches.

Attach back stretcher (4) to right side panel (2) and left side panel (3) by using bolt (A) as shown.

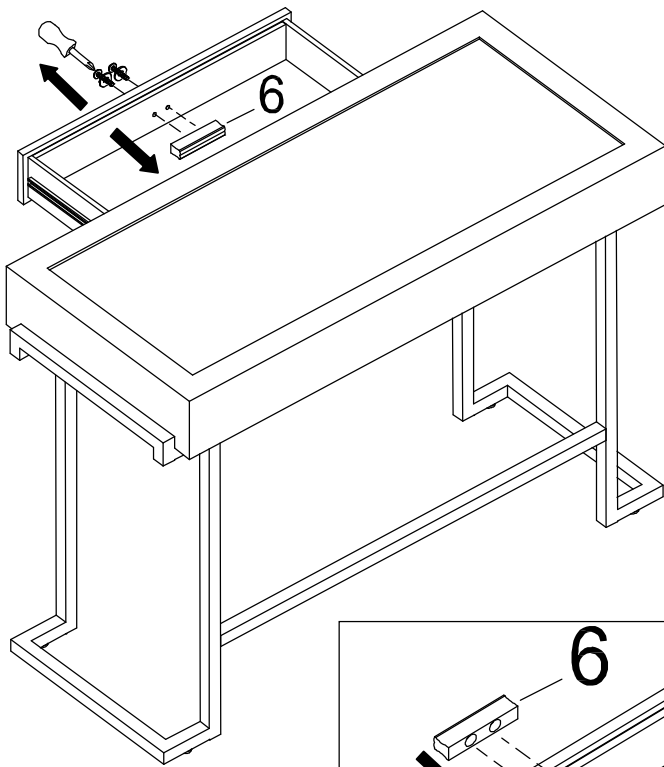
STEP 2



Attach metal frame to table top w/ drawer (1) by using bolt (A) as shown.

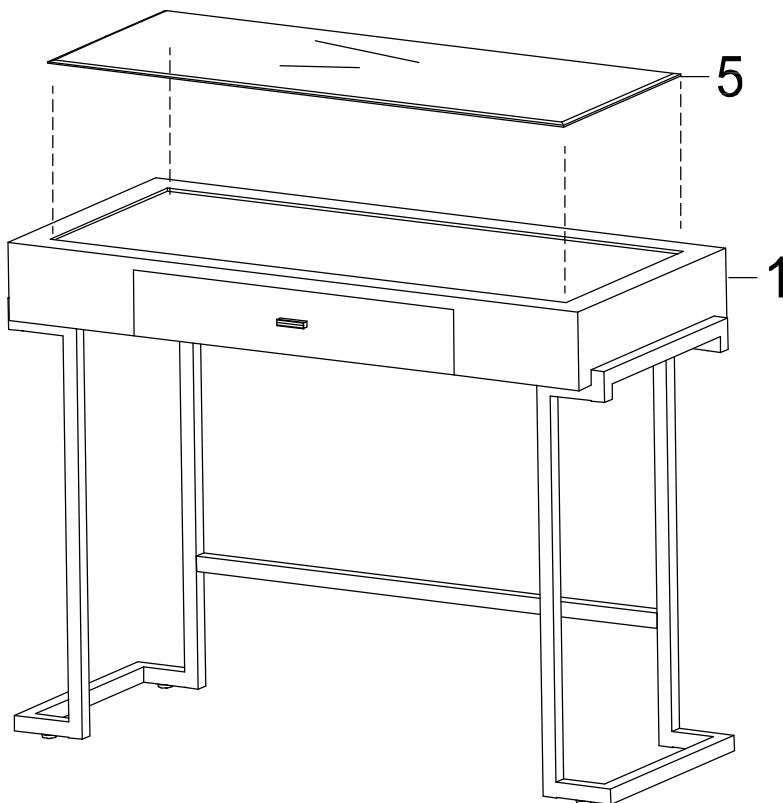
Then tighten all bolts firmly and screw leveler (B) into the bottom of side panels.

STEP 3



Turn the table upright carefully and disassemble the handle (6) from the inside of drawer and re-assemble it to the outside of drawer as shown.

STEP 4



Put mirror top (5) on table top (1) carefully.

You desk is now complete.