

# ASSEMBLY INSTRUCTION FOR ACME FURNITURE MODEL#92262

Thank you for purchasing this quality product .Be sure to check all packing material carefully for small parts which may have come loose inside the carton during shipment.Separate,identify and count all parts and metal hardware.Compare with list to be sure all parts are present.If any part(s) are missing or damaged ,please contact your local furniture dealer.For efficient and speedy service,please indicate the model number and code letter of part(s) needed.

**\*\*\*Do not fully tighten screws until fully assembled\*\*\***

## COMPONENT PARTS

NO.	DESCRIPTION	QUANTITY
A	ASSEMBLY DESK	1PC
B	CENTER SHELF PANEL	1PC
C	SIDE SHELF PANEL	1PC
D	HANGING FILE ROD	2PCS
E	CENTER FEET	2PCS

## HARDWARE REQUIRED

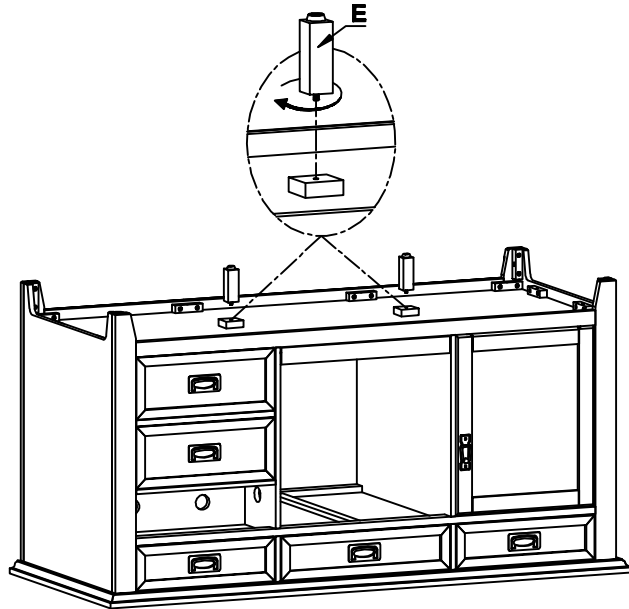
NO.	DESCRIPTION	QUANTITY	SIZE
1	SHELF CLIP	8PCS	Ø6 x 8mm

Attention:

**\*\*\*Mattresses not included.**

**\*\*\*Some number parts listed on the instruction sheet may not be in parts bag as they may already be assembled.Carefully check parts and packing materials prior to ordering replacements.**

**STEP 1:**



**STEP 2:**

