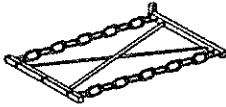
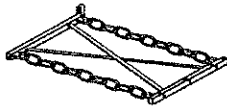


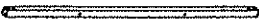






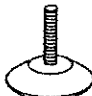

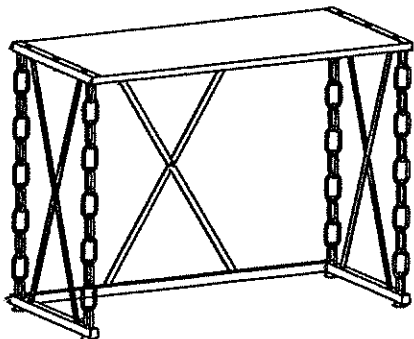


ASSEMBLY INSTRUCTION

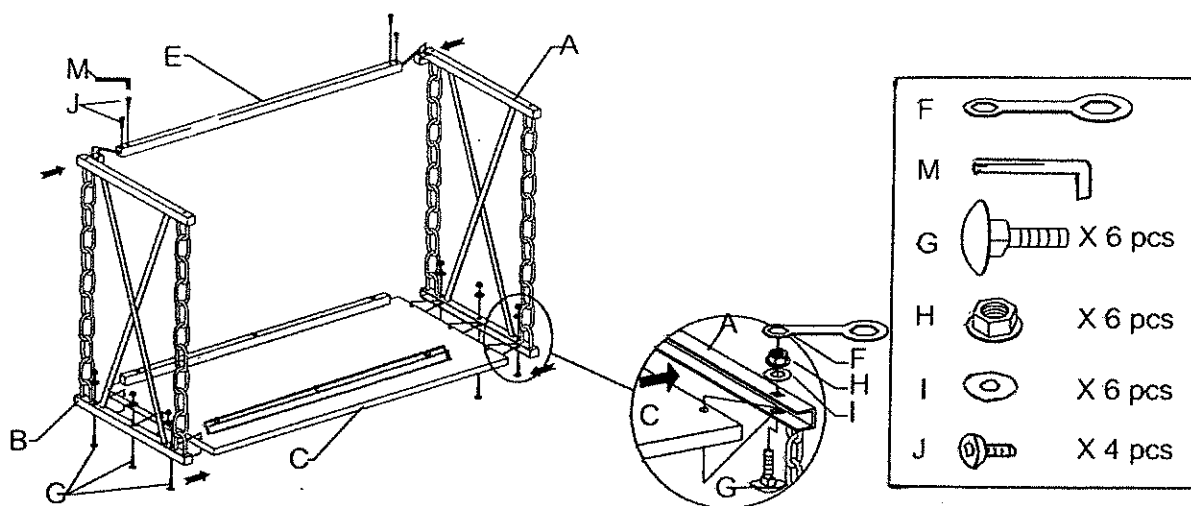
A Right Frame  1 pc	B Left Frame  1 pc	C Wood Top  1 pc	D Metal Back Holder  2 pcs
E Tube  1 pc	F Wrench  1 pc	G Bolt  6 pcs	H Nut  6 pcs
I Flat washer  10 pcs	J Bolt 1/4" X 12 mm  9 pcs	K Nut  1 pc	L Leveler  4 pcs
M Allen wrench  1 pc			



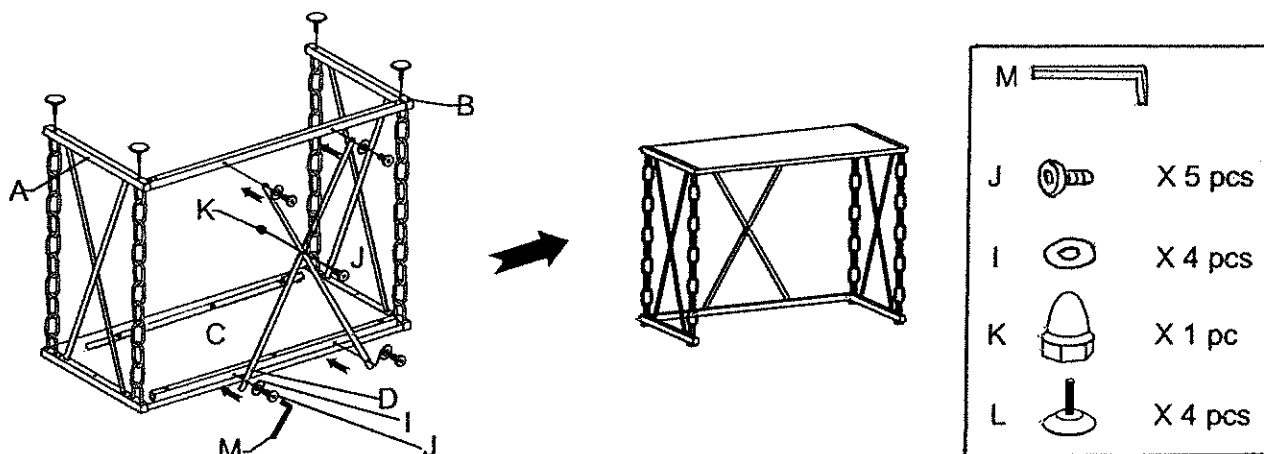
This page lists all the contents included in the box. Please take the time to identify the hardware as well as the individual components to this product. As you unpack and prepare for assembly, place the contents on a carpeted or padded area to protect them from damage.

1

Assemble the right frame (A) , left frame (B) , wood top (C) and tube (E) together then use the bolt (G) through the right frame (A) , left frame (B) , wood top (C) and flat washer (I) into nut (H) as shown as drawing and tighten with the wrench (F). Use the bolt (J) through the tube (E) into leg frame (A).

**2**

Assemble the metal back holders (D) with wood top (C) using bolt (J) through the flat washer (I) into the tube of wood top (C) then fastened using allen wrench (M). Screw the bolt (J) through the metal back holders into nut (K). Insert the leveler (L) into the right frame (A) and left frame (B). Upset the table.



Cleaning & Care

Treat surface with care. Surface is resistant to scratches but is not scratch resistant. Clean surfaces with a dry or damp soft cloth. Do not use abrasive cleaners. Hardware may loosen over time. Periodically check that all connections are tight.