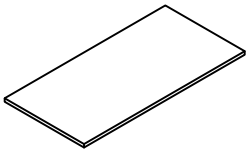

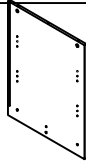
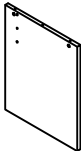
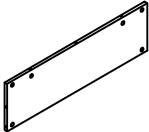
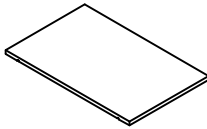
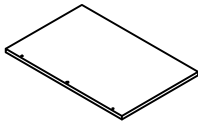
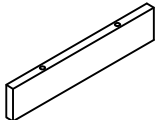


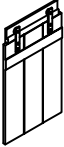

ASSEMBLY INSTRUCTION FOR ACME FURNITURE




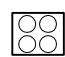
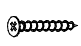


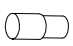
MODEL# 92205 DESK



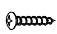
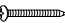


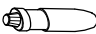
Thank you for purchasing this quality product. Be sure to check all packing materials carefully for small parts which may have come loose inside the carton during shipment. Separate, identify, and count all parts and metal hardware. Compare with parts list to be sure all parts are present. If any part(s) are missing or damaged, please contact your local furniture dealer. For efficient and speedy service, please indicate the model number and code letter of the part(s) needed.

***** Do not fully tighten screws until fully assembled *****

| COMPONENT PARTS | | |
|-----------------|---|-----------|
| DECERPTION | PART NAME | Q'TY(PCS) |
| 1 | TOP  | 1PC |
| 2 | LEFT SIDE PANEL  | 1PC |
| 3 | DIVIDER PANEL  | 1PC |
| 4 | RIGHT SIDE PANEL  | 1PC |
| 5 | BACK PANEL  | 1PC |
| 6 | ADJUSTABLE SHELF  | 2PCS |
| 7 | BOTTOM PANEL  | 1PC |
| 8 | BOTTOM SUPPORT  | 1PC |

| COMPONENT PARTS | | |
|-----------------|--|-----------|
| DECERPTION | PART NAME | Q'TY(PCS) |
| 9 | SLIDING DOOR  | 1PC |
| 10 | BACK PANEL  | 1PC |

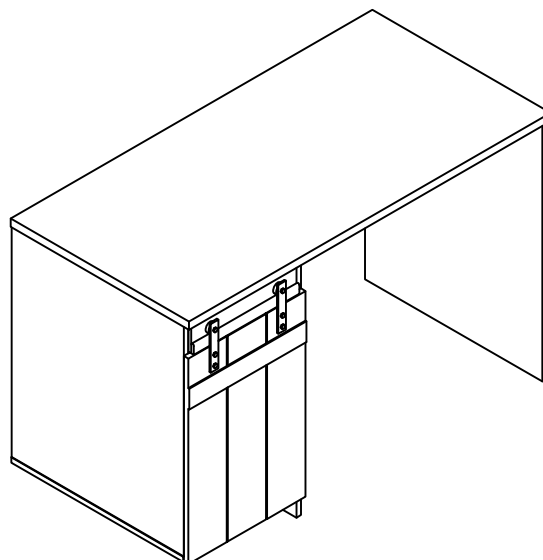
| HARDWARE REQUIRED: | | | |
|--------------------|---|-------|-------|
| A |  | L29 | 16pcs |
| B |  | Ø15 | 16pcs |
| C |  | Ø8x25 | 9pcs |
| D |  | Ø22 | 12pcs |
| E |  | Ø4x40 | 2pcs |
| F |  | Ø4x16 | 8pcs |
| G |  | 301A | 2pcs |
| H |  | Ø5x15 | 8pcs |

| HARDWARE REQUIRED: | | | |
|--------------------|--|---|------|
| I |  | Ø16 | 5pcs |
| J |  | 197x5x1 | 1pc |
| K |  | Ø4x25 | 1pc |
| L |  | Ø5x40 | 1pc |
| M |  | Ø8x40 | 1pc |
| N |  | 12x12x1 | 2pcs |
| O |  | Glue: For securing please apply to wood dowel first before inserting into panel | 1pc |
| | | | |

Attention:

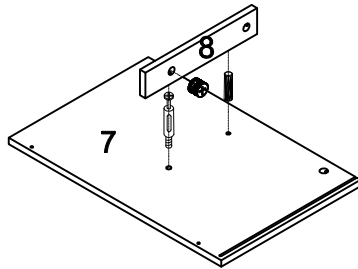
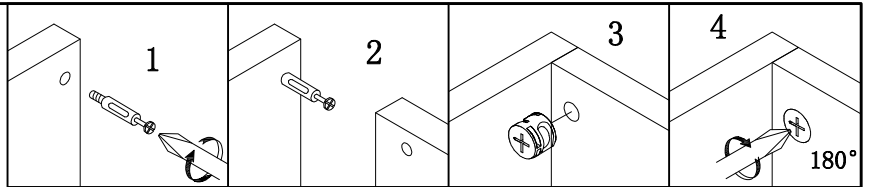
***Mattresses not included.




***Some number parts listed on the instruction sheet may not be in parts bag as they may already be assemble. Carefully check parts and packing materials prior to ordering replacements.



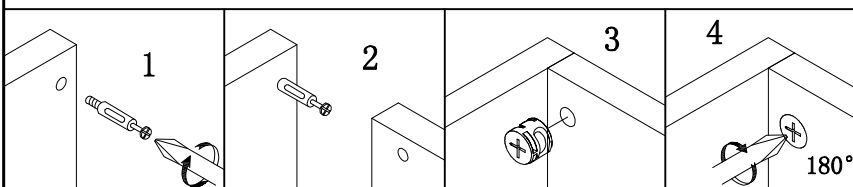
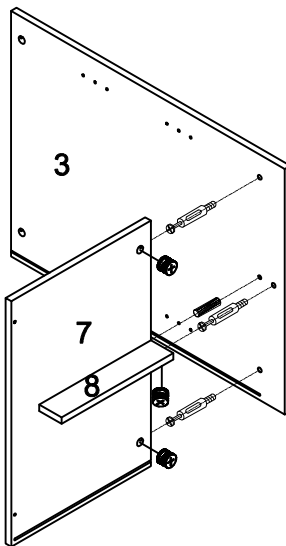
How to Assemble:




STEP 2.



| | | |
|----------|---|-----|
| A |  | 1pc |
| B |  | 1pc |
| C |  | 1pc |

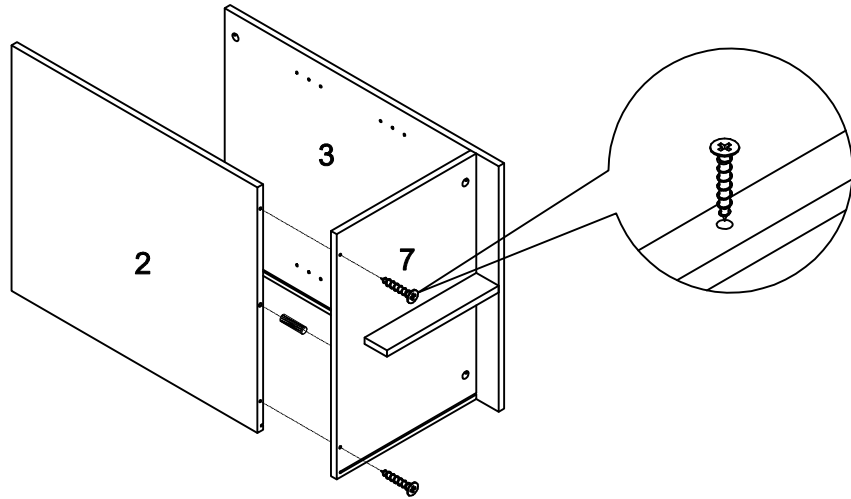
STEP 3.

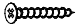



| | | |
|----------|---|------|
| A |  | 3pcs |
| B |  | 3pcs |
| C |  | 1pc |

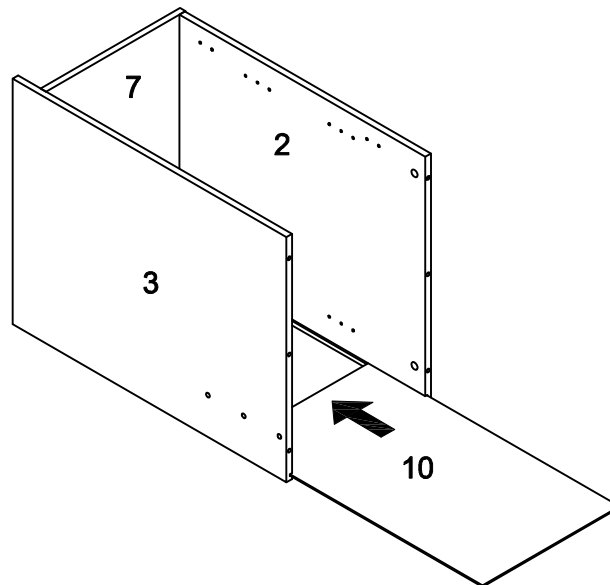
How to Assemble:

STEP 4.



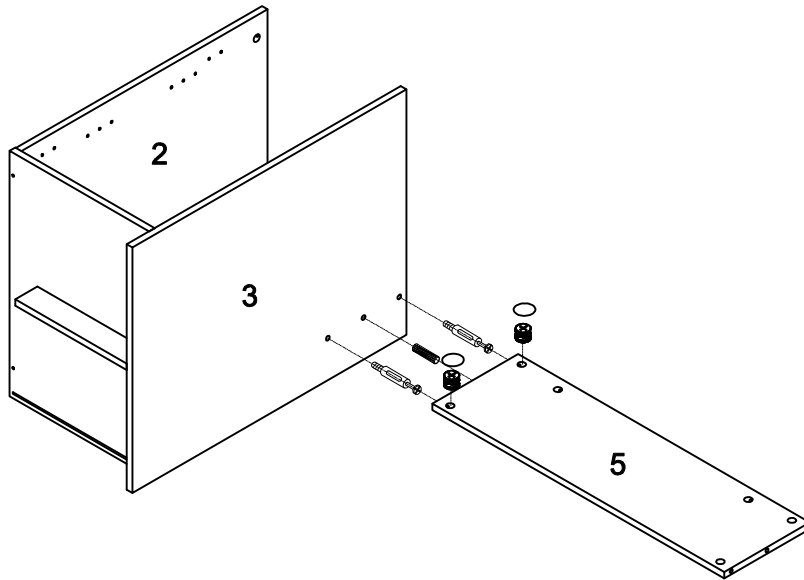
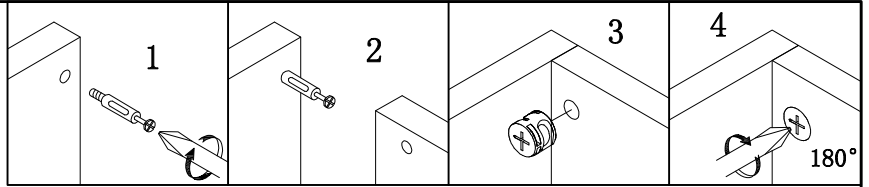
| | | |
|----------|---|------|
| E |  | 2pcs |
| C |  | 1pc |

STEP 5.



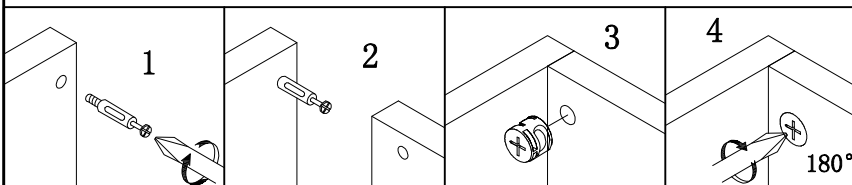
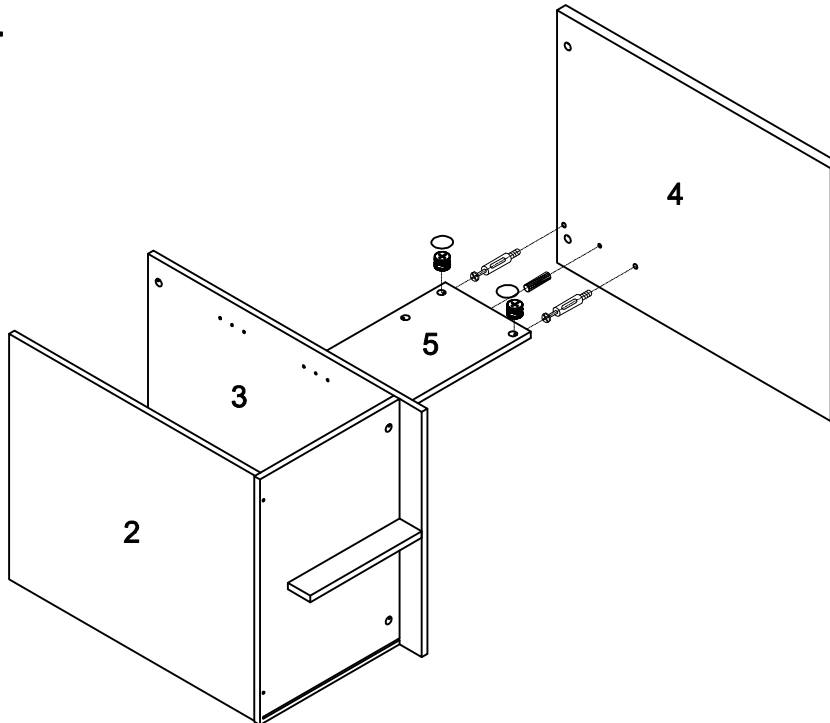
How to Assemble:

STEP 6.



| | | |
|---|--|------|
| A | | 2pcs |
| B | | 2pcs |
| C | | 1pc |
| D | | 2pcs |

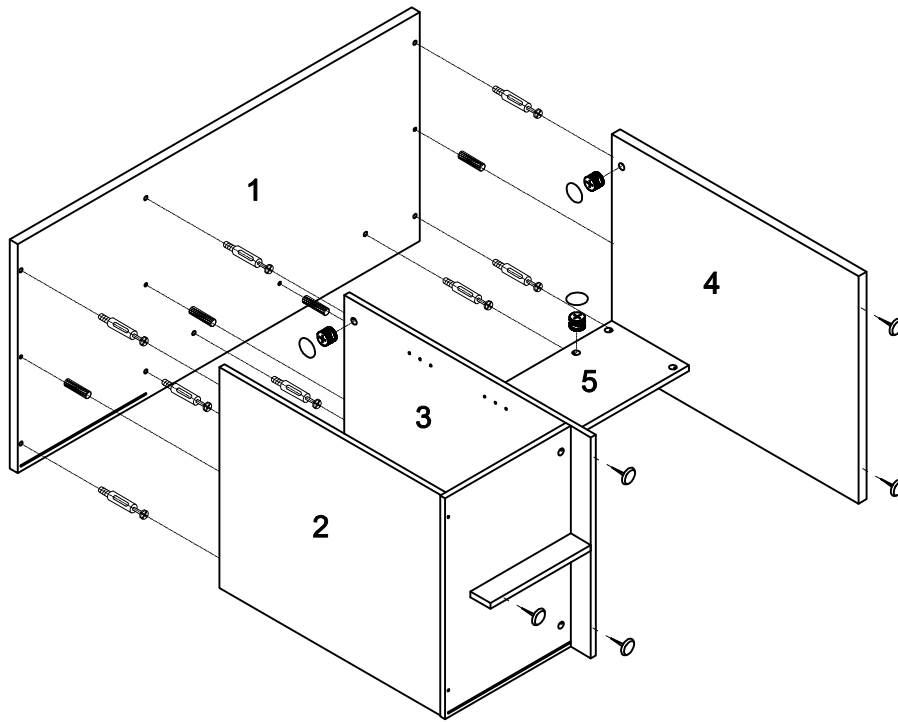
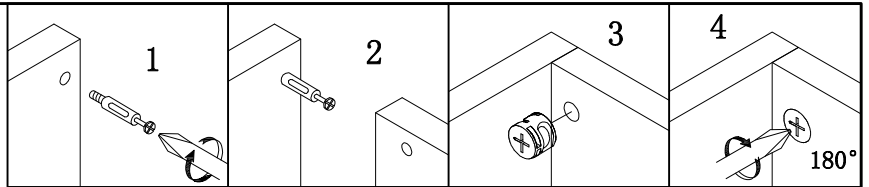
STEP 7.



| | | |
|---|--|------|
| A | | 2pcs |
| B | | 2pcs |
| C | | 1pc |
| D | | 2pcs |

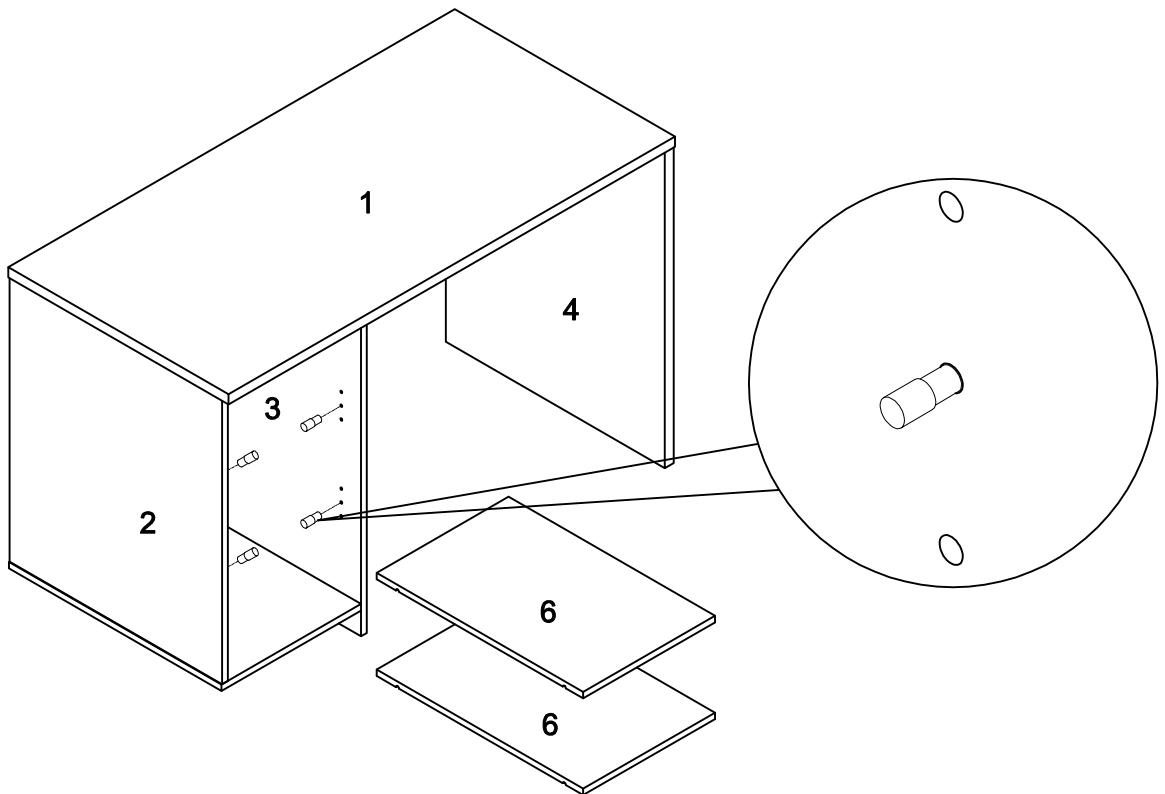
How to Assemble:

STEP 8.



| | | |
|----------|--|------|
| A | | 8pcs |
| B | | 8pcs |
| C | | 4pcs |
| D | | 8pcs |
| I | | 5pcs |

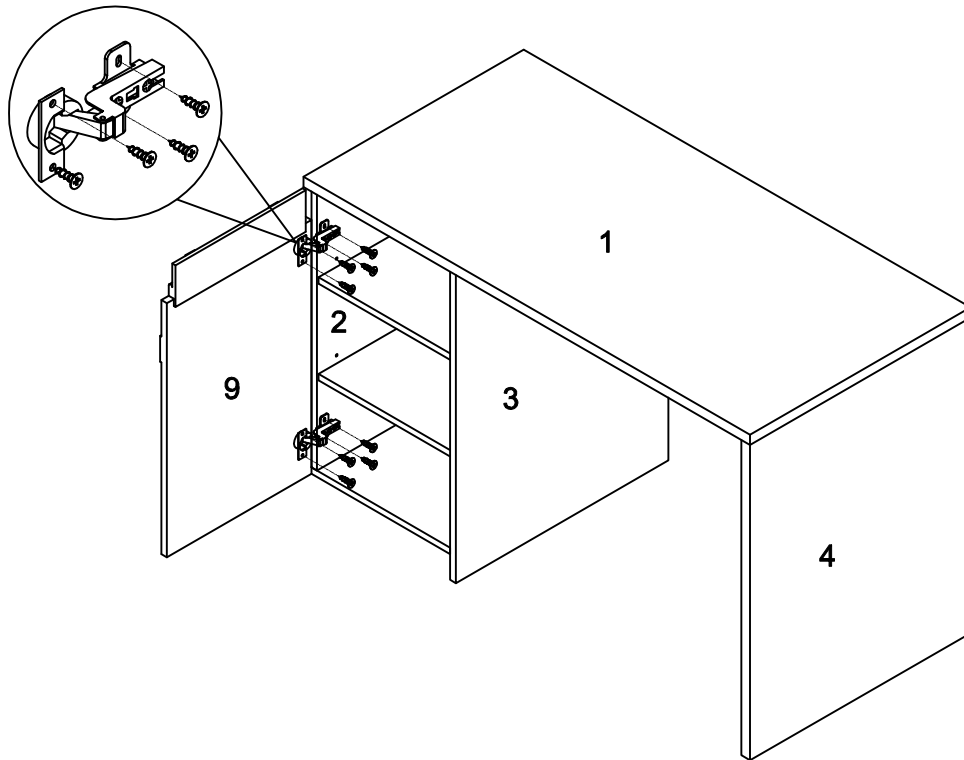
STEP 9.





| | | |
|----------|--|------|
| H | | 8pcs |
|----------|--|------|

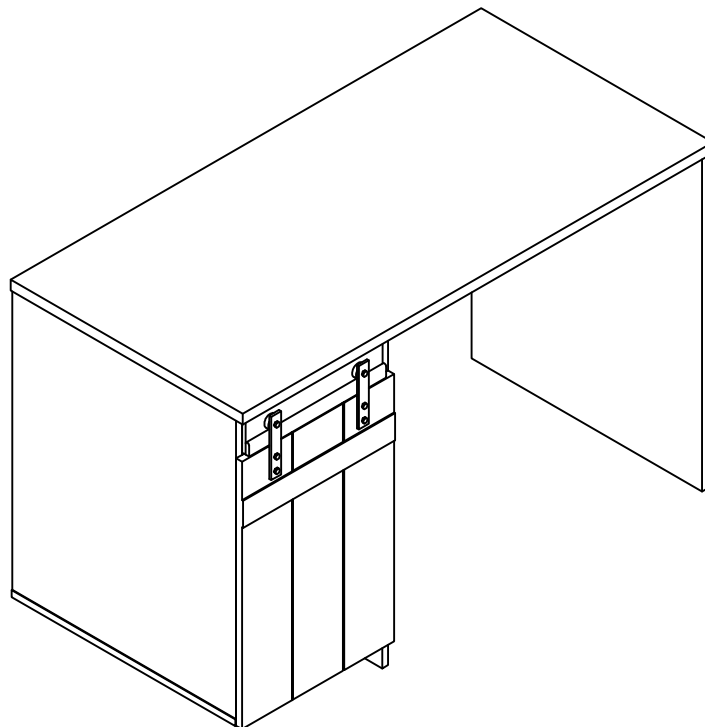
How to Assemble:

STEP 8.



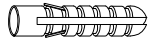
| | | |
|---|---|------|
| F |  | 8pcs |
| G |  | 2pcs |

STEP 9.

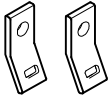


ANTI-TIPPING STRAP INSTRUCTION

HARDWARE (INCLUDED) :



DRYWALL ANCHOR $\phi 8 \times 40$ X 1PC



METAL BRACKETS $12 \times 12 \times 1$ X 2PCS



DRYWALL SCREW $\phi 5 \times 40$ X 1PC

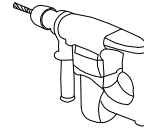


STRAP $197 \times 5 \times 1$ X 1PC



FLATHEAD SCREW $\phi 4 \times 25$ X 1PC

TOOLS NEEDED (NOT INCLUDED) :



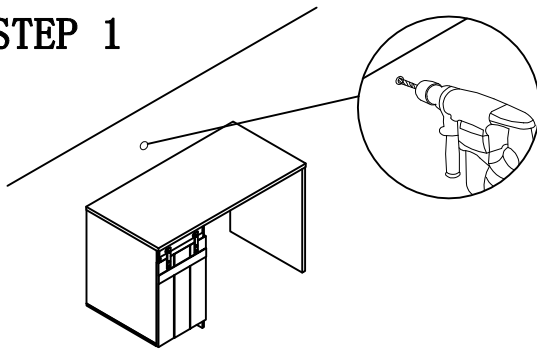
DRILL & DRILL BIT



LIGHT HAMMER

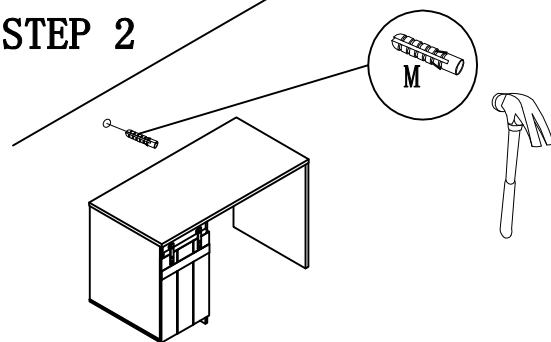
Note: Hardware included only compatible with standard drywalls.

STEP 1



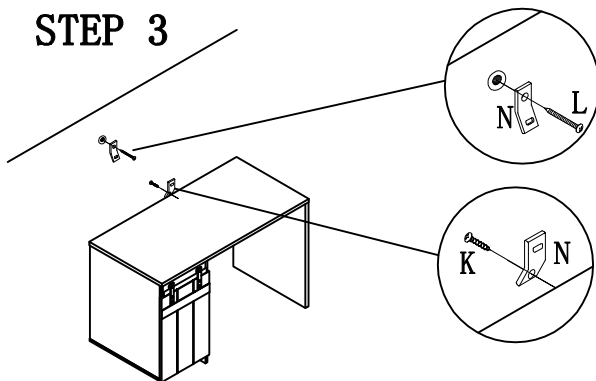
1. Find spot on wall 1" below top of item.
2. Using a drill bit slightly thinner than anchor, drill hole into drywall.

STEP 2



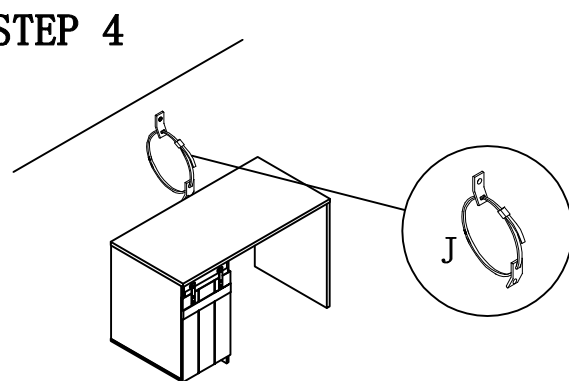
1. Use a light hammer to tap anchor into hole.
2. Anchor should fit snugly. If hole is too small, drill again to increase hole size. Do not force anchor into wall.

STEP 3



1. Insert drywall screw into metal bracket and into drywall anchor.
2. Insert flathead screw into second metal bracket and into back of item along top edge.

STEP 4



1. Insert strap thru bracket attached to wall, then thru bracket on item, and into head of strap.
 2. pull lightly til strap stops.
- Assembly is complete.