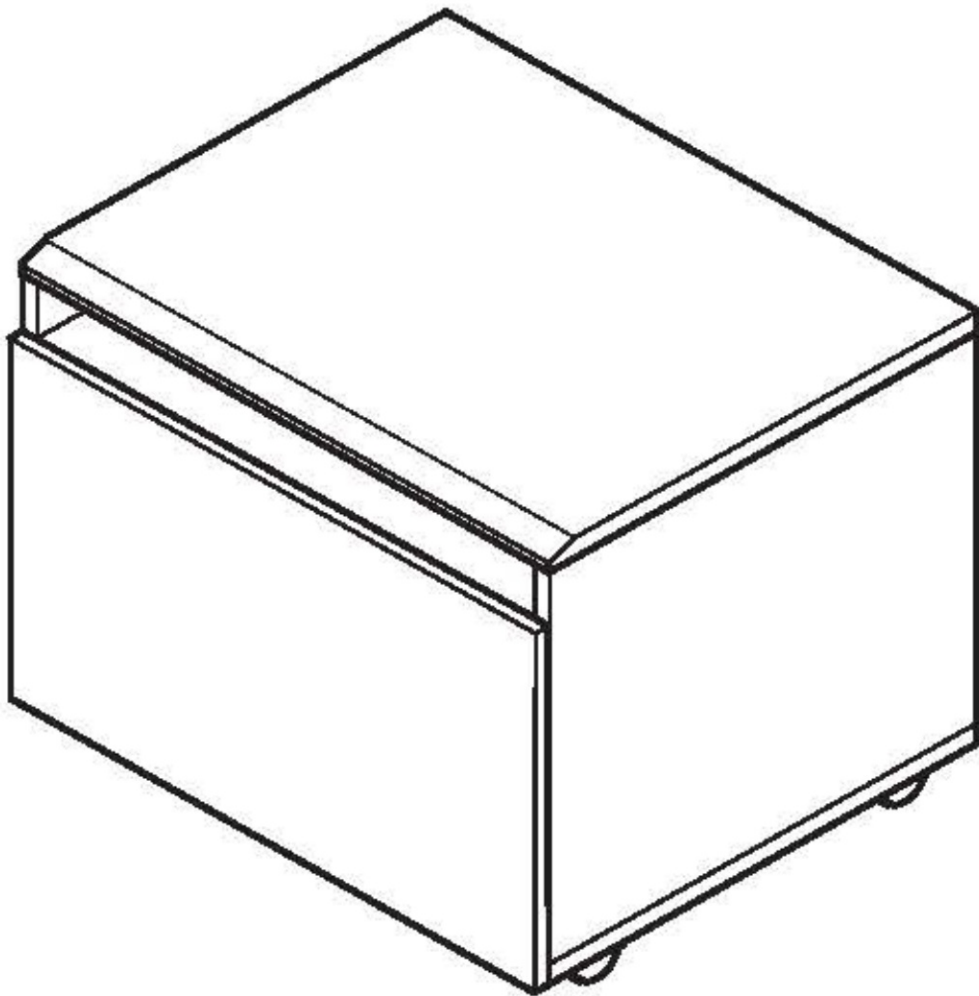
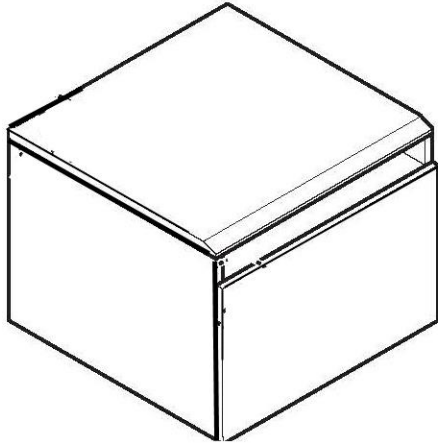







92073



SIZE:48cmx40cmx37.5cmH

PARTS LIST



| No. | | No. | | | |
|-----|---|-----|---|---|---|
| Ⓐ |  | 16 | Ⓑ |  | 1 |
| Ⓒ |  | 2 | Ⓓ |  | 2 |
| Ⓔ |  | 1 | | | |

