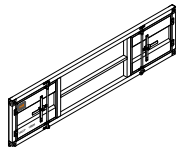
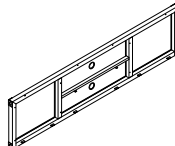
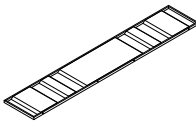
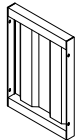
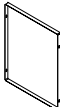
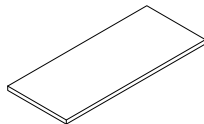
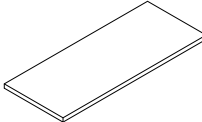
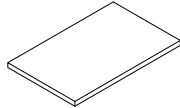


ASSEMBLY INSTRUCTION FOR ACME FURNITURE





MODEL# 91880 & 91885 TV STAND

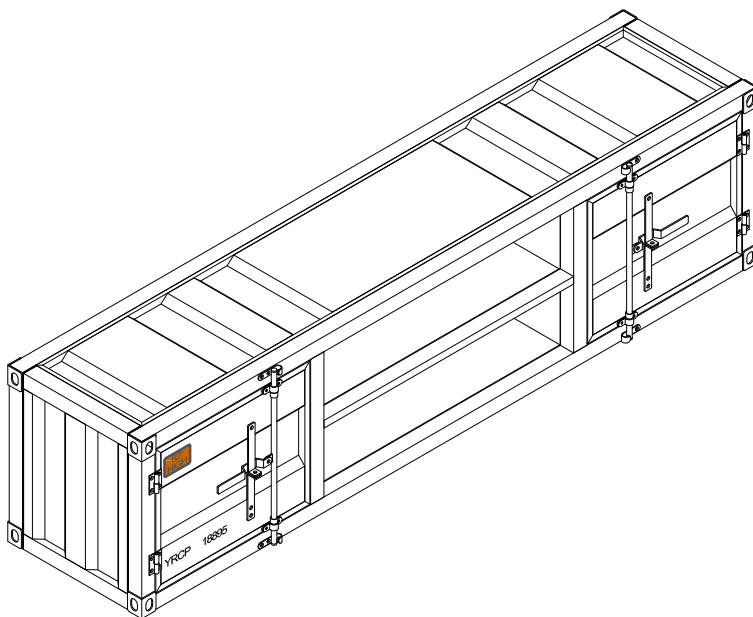
Thank you for purchasing this quality product. Be sure to check all packing materials carefully for small parts which may have come loose inside the carton during shipment. Separate, identify, and count all parts and metal hardware. Compare with parts list to be sure all parts are present. If any part(s) are missing or damaged, please contact your local furniture dealer. For efficient and speedy service, please indicate the model number and code letter of the part(s) needed.

***** Do not fully tighten screws until fully assembled *****

COMPONENT PARTS		
DECERPTION	PART NAME	Q'TY(PCS)
1	Front Frame 	1pc
2	Back Frame 	1pc
3	Top 	1pc
4	Side Frame 	2pcs
5	Vertical Panel 	2pcs
6	Middle Shelf 	1pc
7	Bottom Shelf 	1pc
8	Side Shelf 	2pcs

HARDWARE REQUIRED:

A		Bolt 3/16"x3/8" - 8pcs
B		Bolt 1/4"x5/8" - 8pcs
C		Bolt 1/4"x3/4" - 8pcs
D		Allen Wrench M4 - 1pc



Attention:

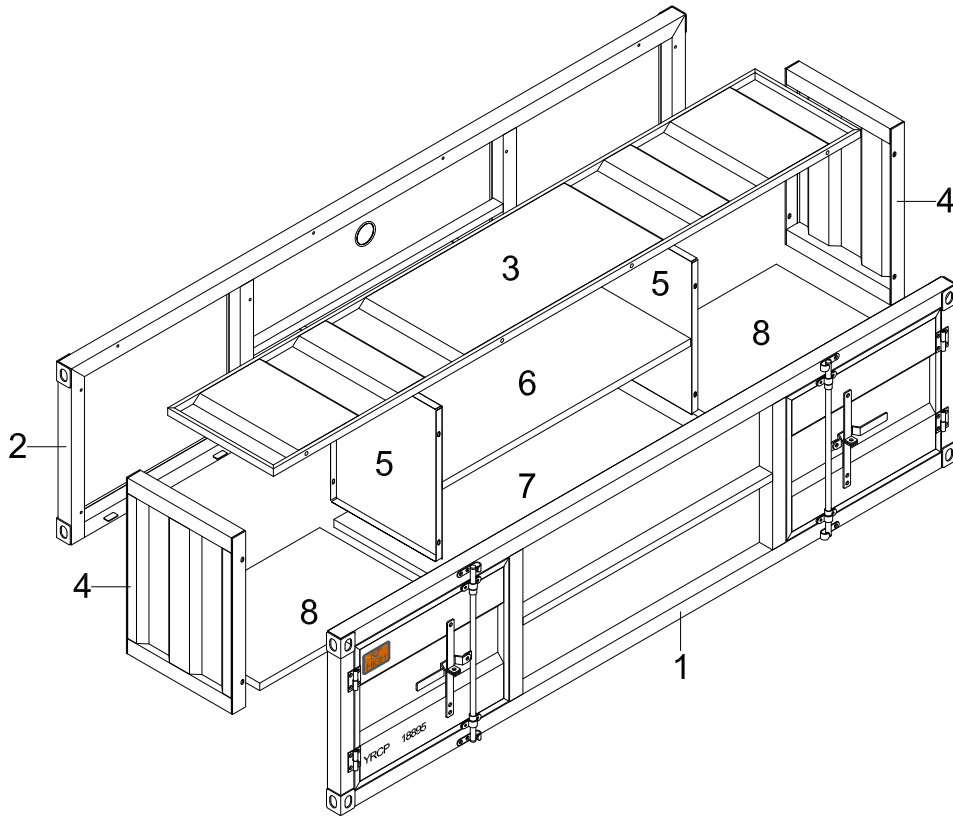
***Mattresses not included.

***Some number parts listed on the instruction sheet may not be in parts bag as they may already be assembled. Carefully check parts and packing materials prior to ordering replacements.

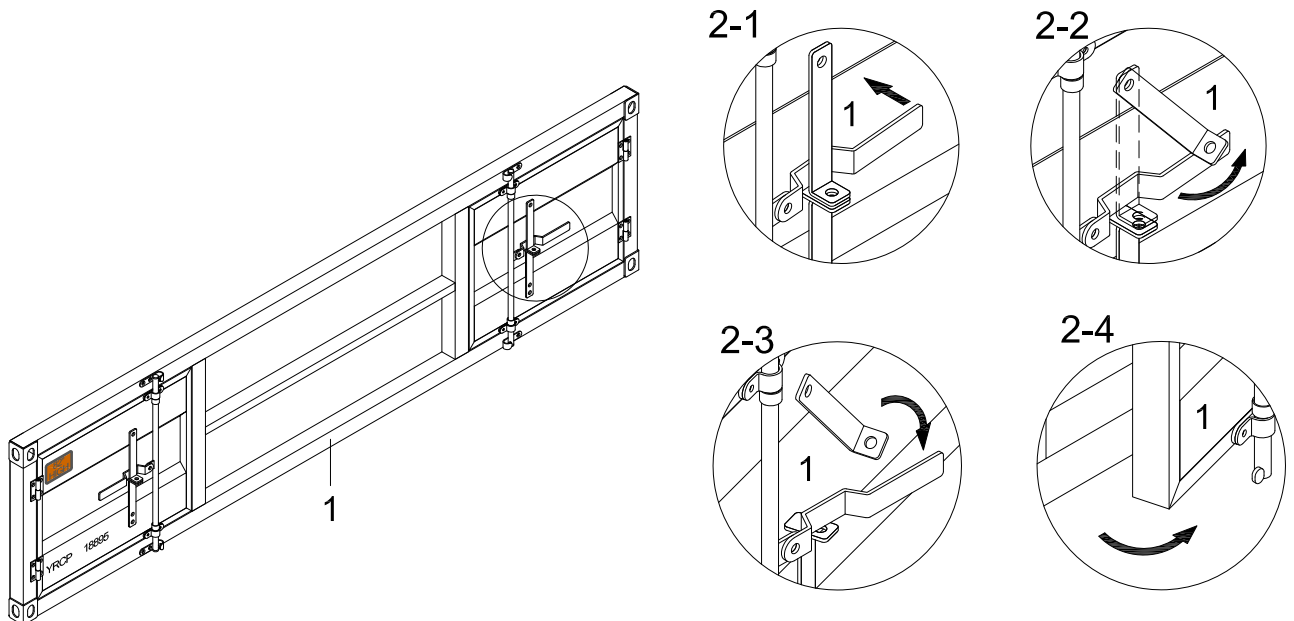
How to Assemble:

STEP 1.

Exploded View

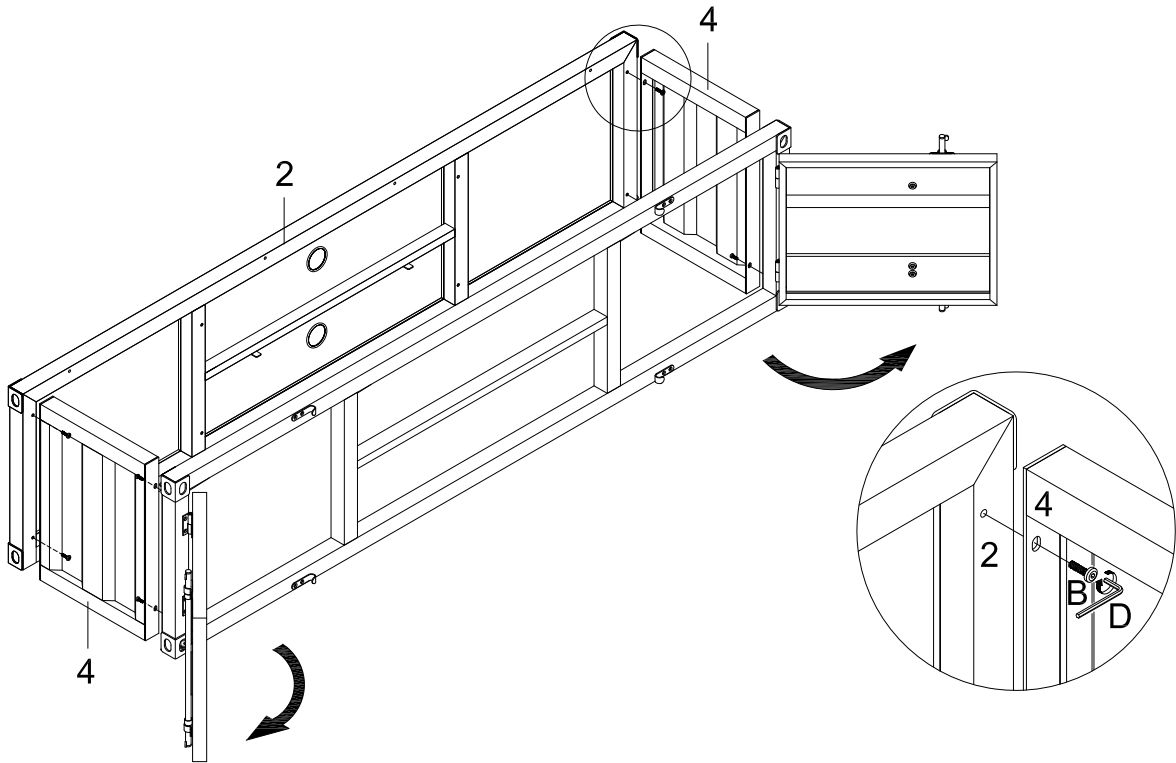


STEP 2.



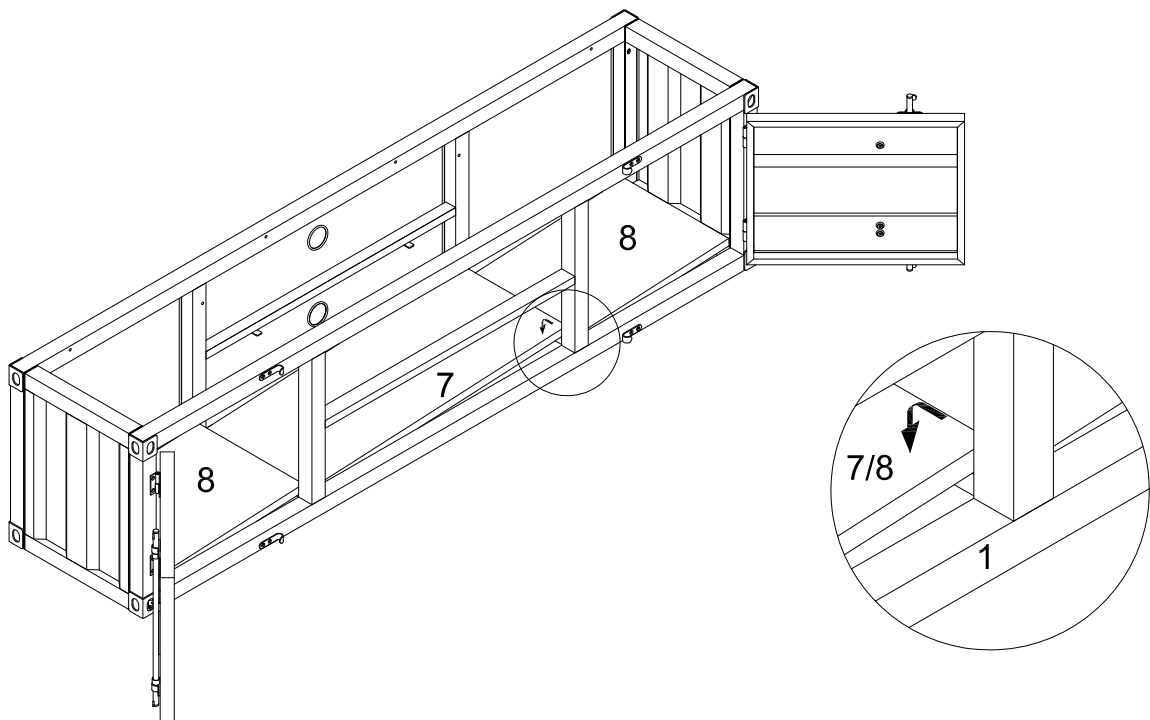
How to Assemble:

STEP 3.



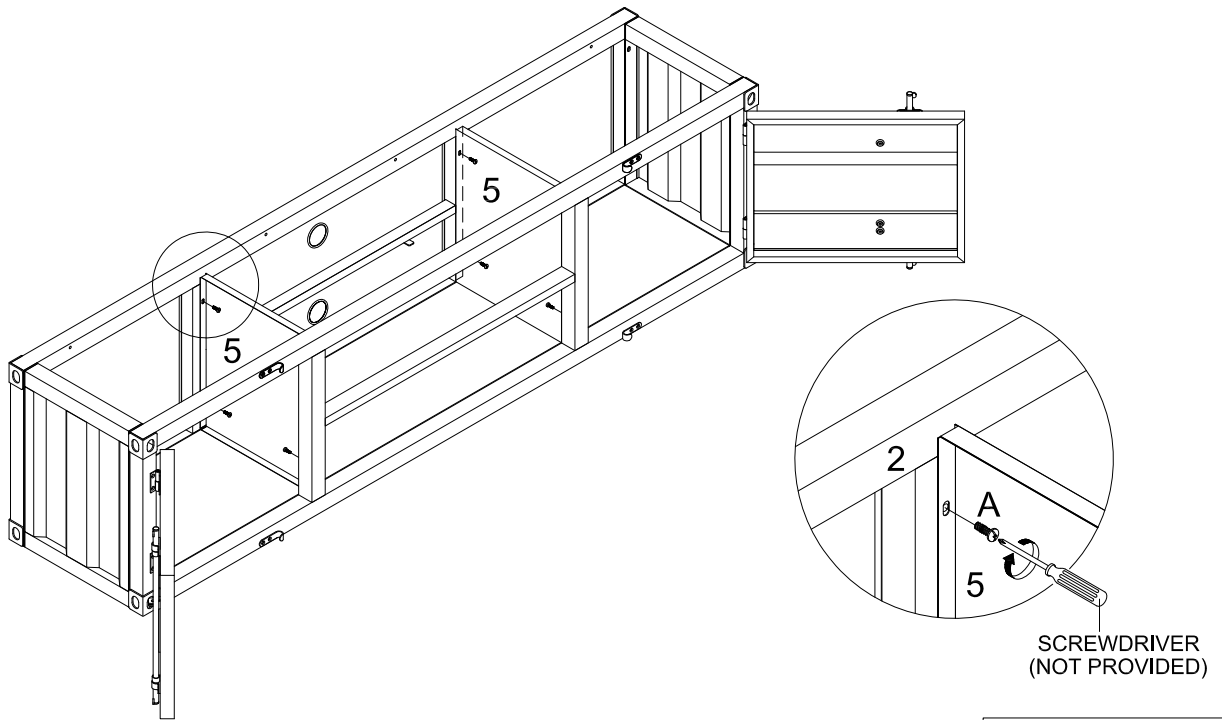
B  8pcs

STEP 4.



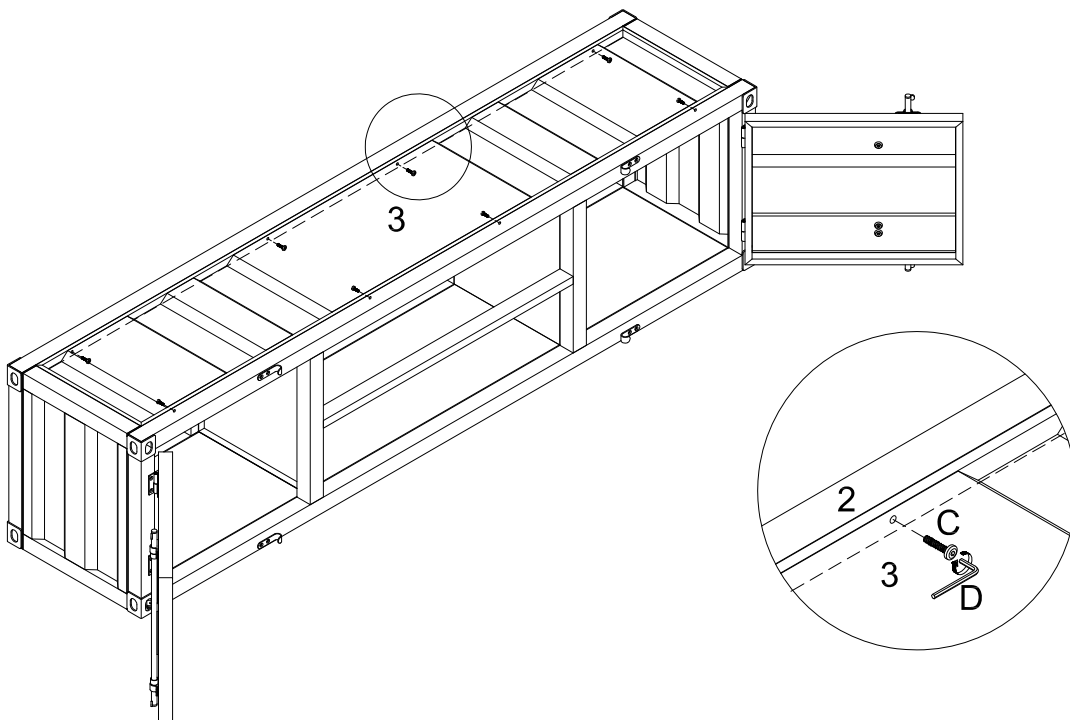
How to Assemble:

STEP 5.



A  8pcs

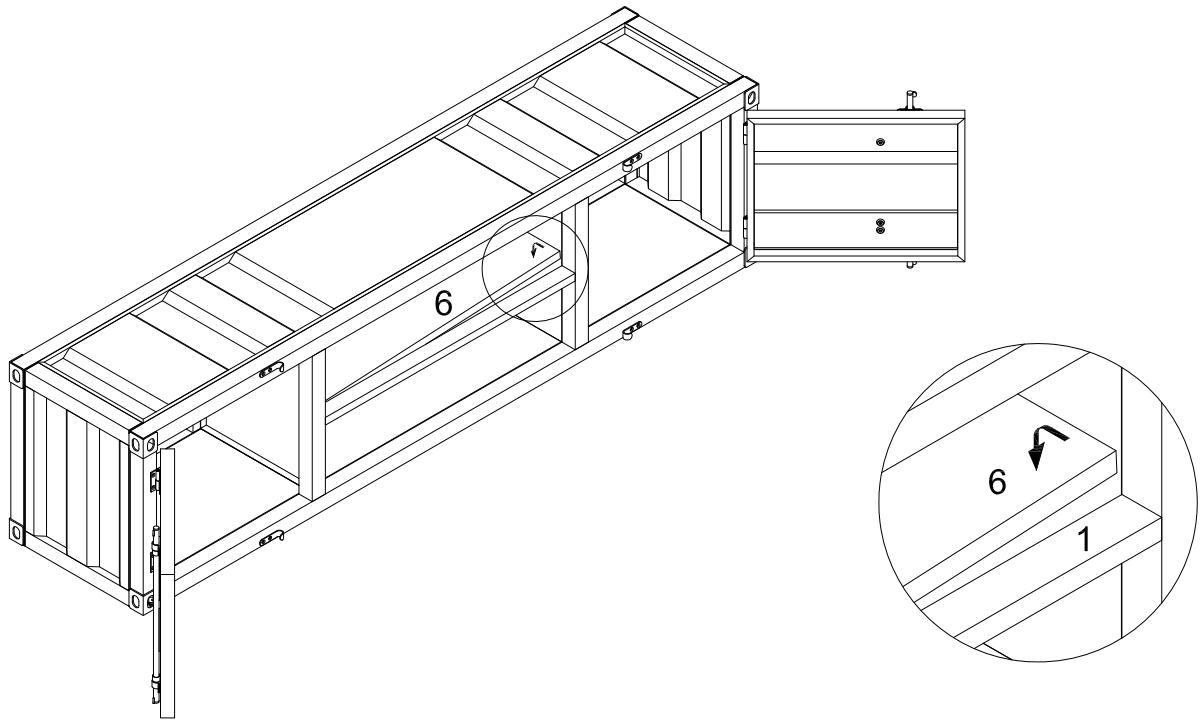
STEP 6.



C  8pcs

How to Assemble:

STEP 7.



STEP 8.

