

# ASSEMBLY INSTRUCTION

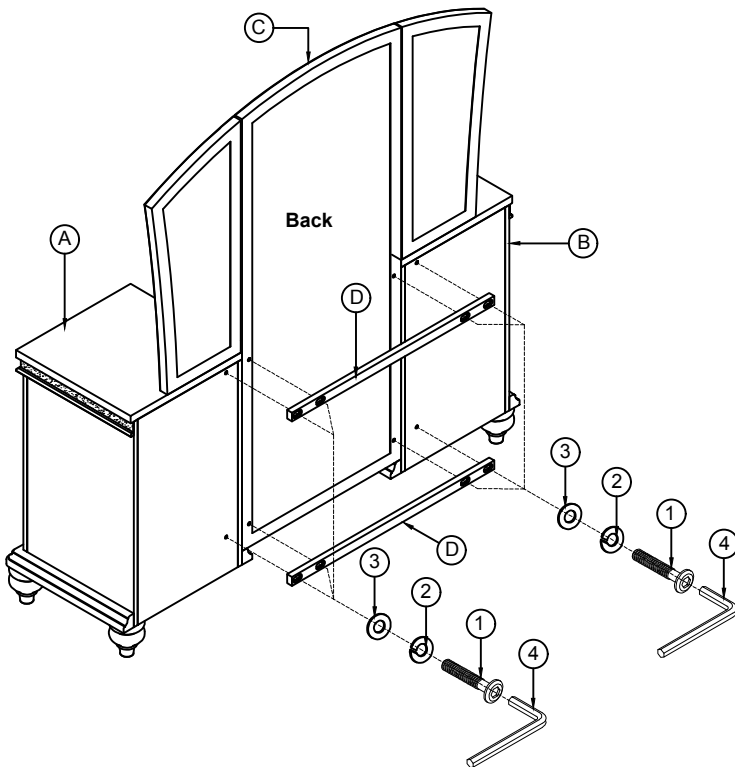
## MODEL: #91800/91801/91802 VANITY DESK (R/L)/ MIRROR

Thank you for purchasing this quality product. Be sure to check all packing material carefully for small parts which may have come loose inside the carton during shipment. Separate, identify and count all parts and metal hardware. Compare with parts list to be sure all parts are present. If any part(s) are missing or damaged, please contact your local furniture dealer. For efficient and speedy service, please indicate the model number and code letter of part(s) needed.

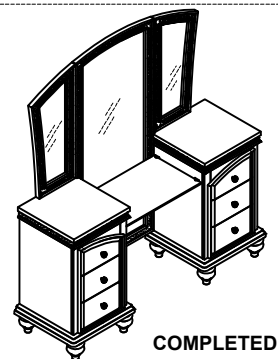
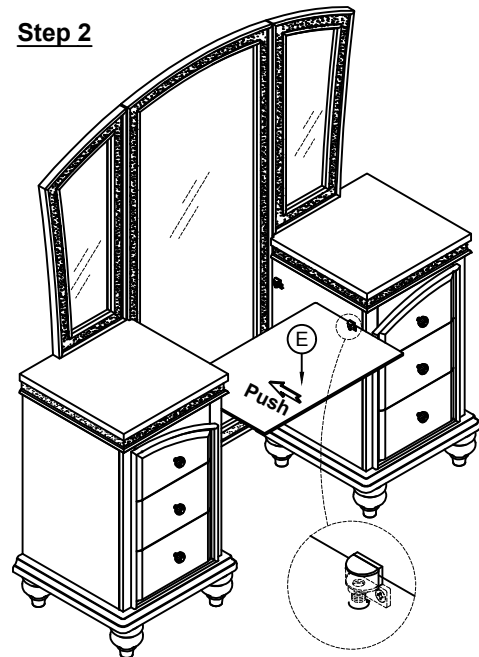
\*\*\* Do not fully tighten screws until fully assembled \*\*\*

PARTS LIST				HARDWARE LIST			
NO	DESCRIPTION	SKETCH	QTY	NO	DESCRIPTION	SKETCH	QTY
A	Vanity Desk (R)		1 Pc	1	Allen Bolt Ø1/ 4 *30mm		8 Pcs
B	Vanity Desk (L)		1 Pc	2	Spring Washer Ø1/ 4 *11*2mm		8 Pcs
C	Vanity Mirror		1 Pc	3	Flat Washer Ø1/ 4 *19*2mm		8 Pcs
D	Support rail		2 Pcs	4	Allen Key M4		1 Pc
E	Mirror		1 Pc				

### Step 1



### Step 2





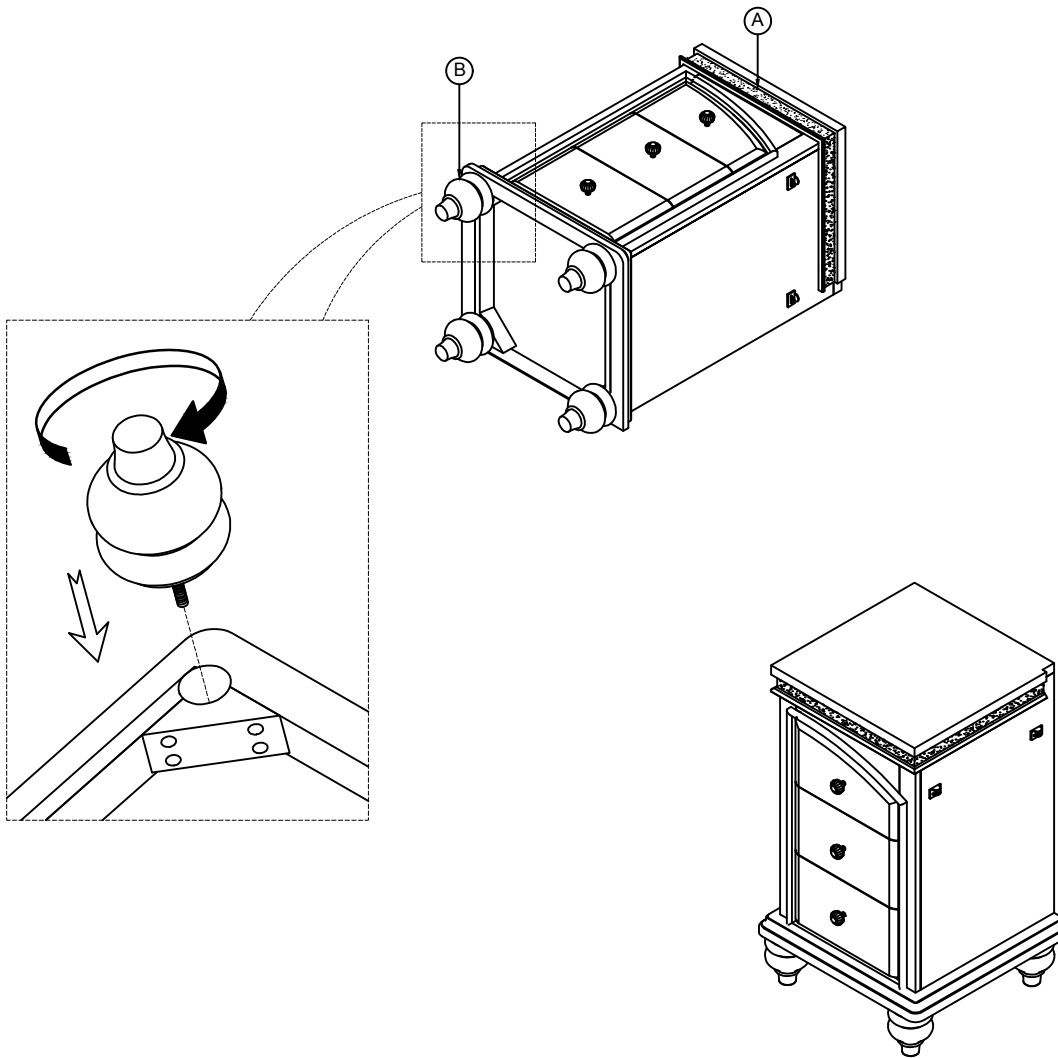
# ASSEMBLY INSTRUCTION

## MODEL: #91800 VANITY DESK (L)

Thank you for purchasing this quality product. Be sure to check all packing material carefully for small parts which may have come loose inside the carton during shipment. Separate, identify and count all parts and metal hardware. Compare with parts list to be sure all parts are present. If any part(s) are missing or damaged, please contact your local furniture dealer. For efficient and speedy service, please indicate the model number and code letter of part(s) needed.

\*\*\* Do not fully tighten screws until fully assembled \*\*\*

<b>PARTS LIST</b>			
NO	DESCRIPTION	SKETCH	QTY
A	Vanity Desk (L)		1 Pc
B	Legs		4 Pcs





COMPLETED

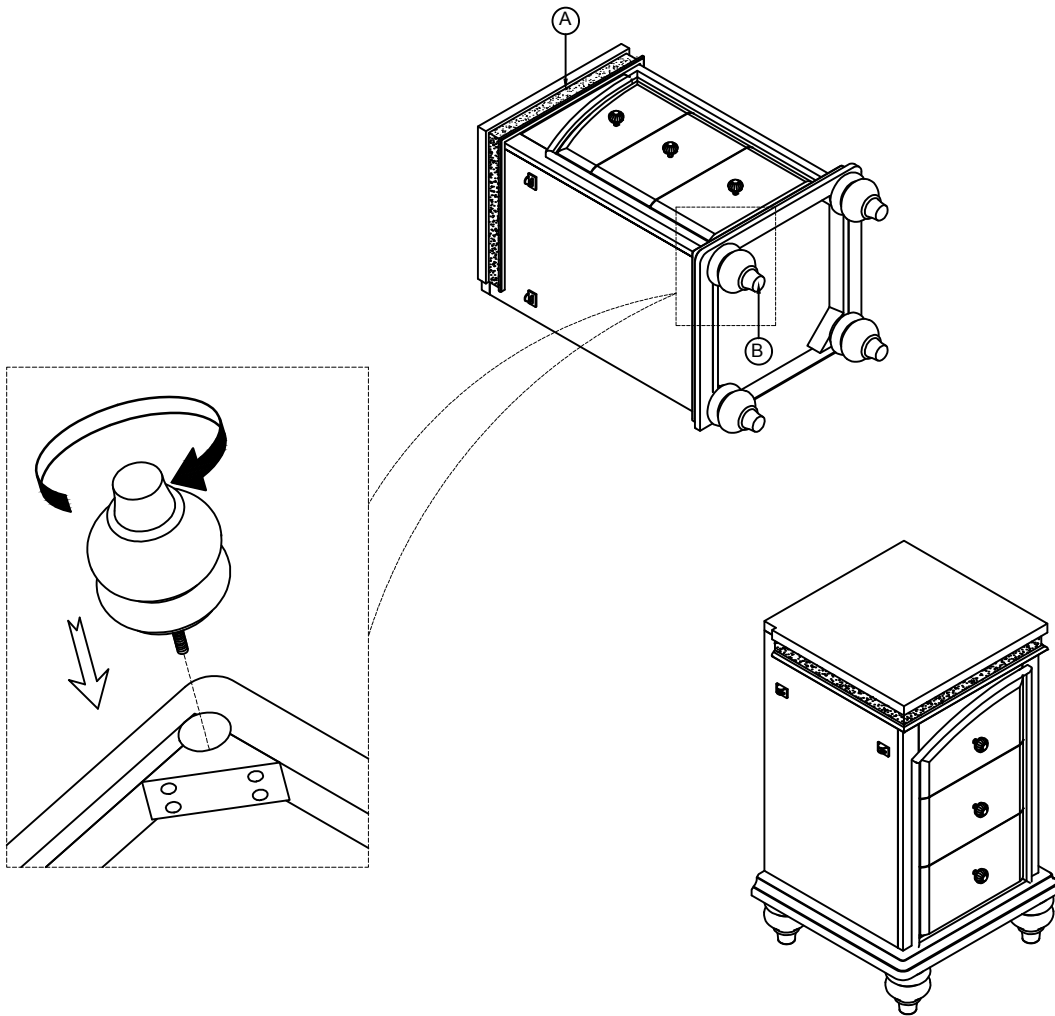
# ASSEMBLY INSTRUCTION

## MODEL: #91800 VANITY DESK (R)

Thank you for purchasing this quality product. Be sure to check all packing material carefully for small parts which may have come loose inside the carton during shipment. Separate, identify and count all parts and metal hardware. Compare with parts list to be sure all parts are present. If any part(s) are missing or damaged, please contact your local furniture dealer. For efficient and speedy service, please indicate the model number and code letter of part(s) needed.

\*\*\* Do not fully tighten screws until fully assembled \*\*\*

<b>PARTS LIST</b>			
NO	DESCRIPTION	SKETCH	QTY
A	Vanity Desk (R)		1 Pc
B	Legs		4 Pcs



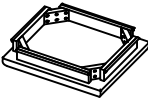





COMPLETED

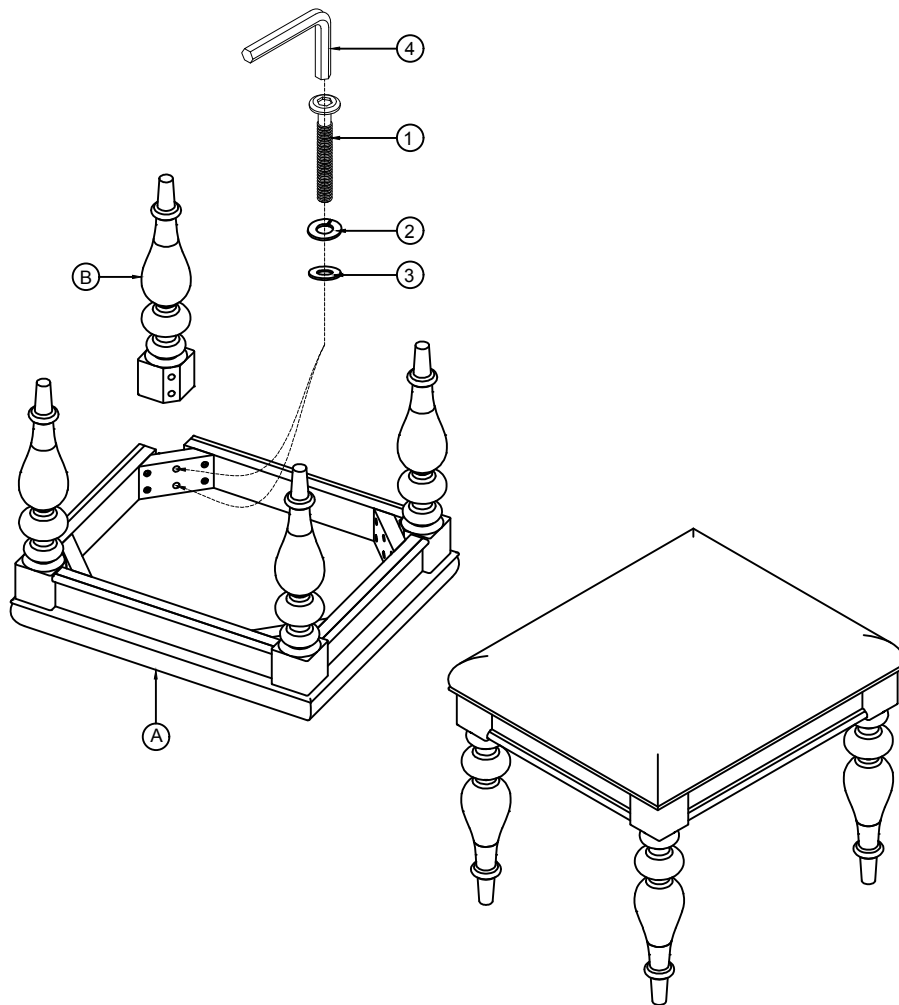
# ASSEMBLY INSTRUCTION

## MODEL: #91803 VANITY STOOL

Thank you for purchasing this quality product. Be sure to check all packing material carefully for small parts which may have come loose inside the carton during shipment. Separate, identify and count all parts and metal hardware. Compare with parts list to be sure all parts are present. If any part(s) are missing or damaged, please contact your local furniture dealer. For efficient and speedy service, please indicate the model number and code letter of part(s) needed.

\*\*\* Do not fully tighten screws until fully assembled \*\*\*

PARTS LIST				HARDWARE LIST			
NO	DESCRIPTION	SKETCH	QTY	NO	DESCRIPTION	SKETCH	QTY
A	Seat Frame		1 Pc	1	Allen Bolt Ø5/16*55mm		8 Pcs
				2	Spring Washer Ø5/16*13*2mm		8 Pcs
				3	Flat Washer Ø5/16*19*2mm		8 Pcs
B	Legs		4 Pcs	4	Allen Key M4		1 Pc



COMPLETED

Made in Vietnam