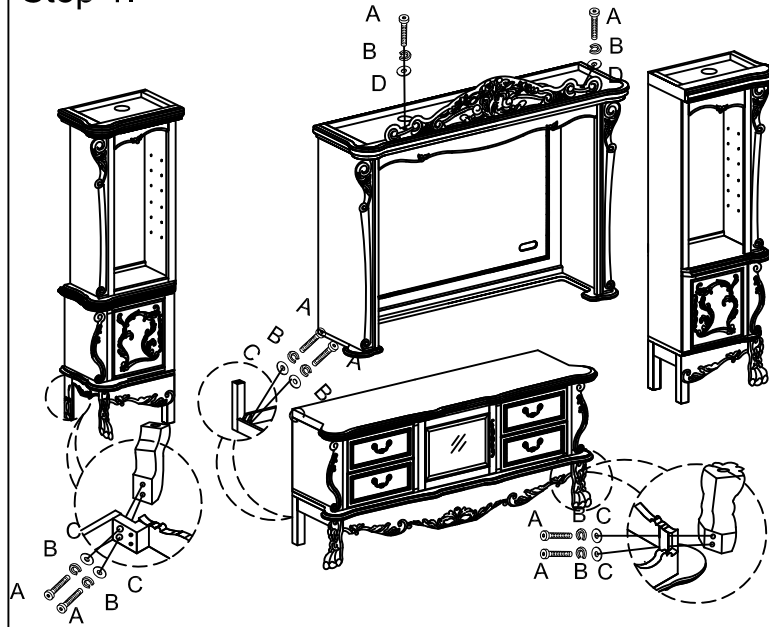
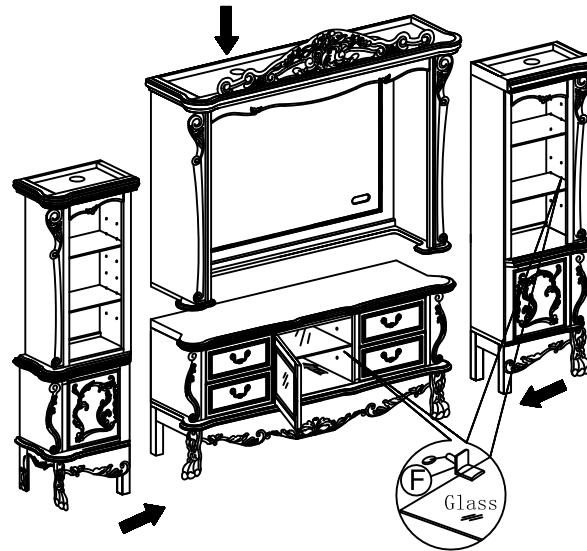


# ASSEMBLY INSTRUCTION

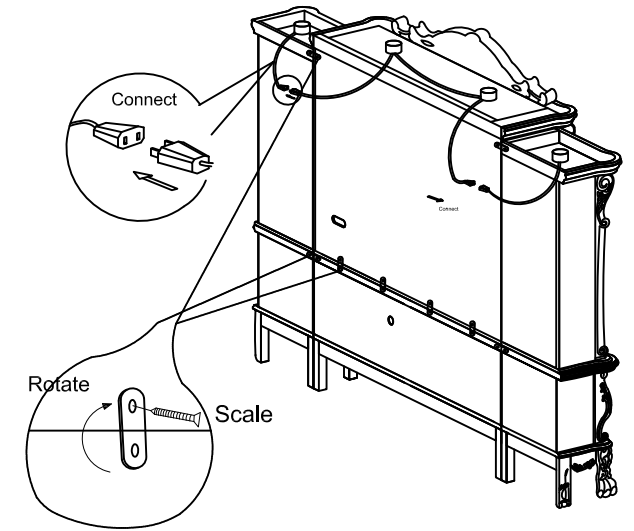
Step 1:



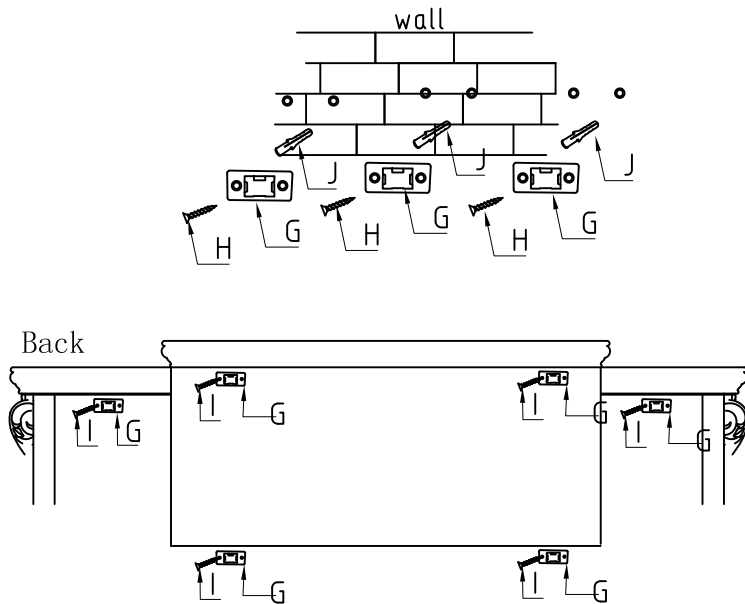
Step 2:



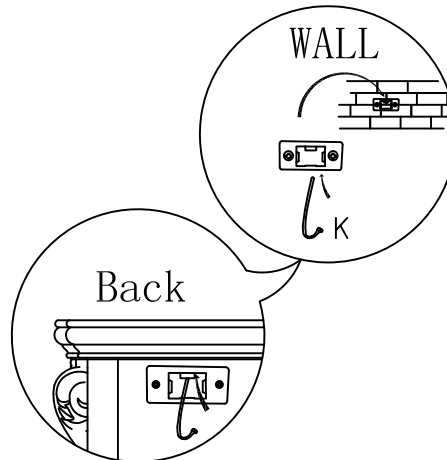
Step 3:



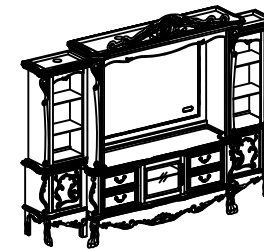
Step 4:



Step 5:



Finish:



## Hardware List:

No.:	Description	Drawing	Size	Q' ty
A	Blot		ø5/16"X2-1/4"	26
B	Lock Washer		ø5/16"X12mm	26
C	Flat Washer		ø5/16"X22mm	24
D	Flat Washer		ø5/16"X19mm	2
E	Allen Wrench		5mm	1
F	Pins		ø6	20
G	Fasten unit		44mmX20mm	12
H	Long Screw		ø7mmX38mm	12
I	Short Screw		ø6mmX16mm	12
J	Shrink bolt		ø5/16"X1-1/2"	12
K	Safety belt		8mmX250mm	6