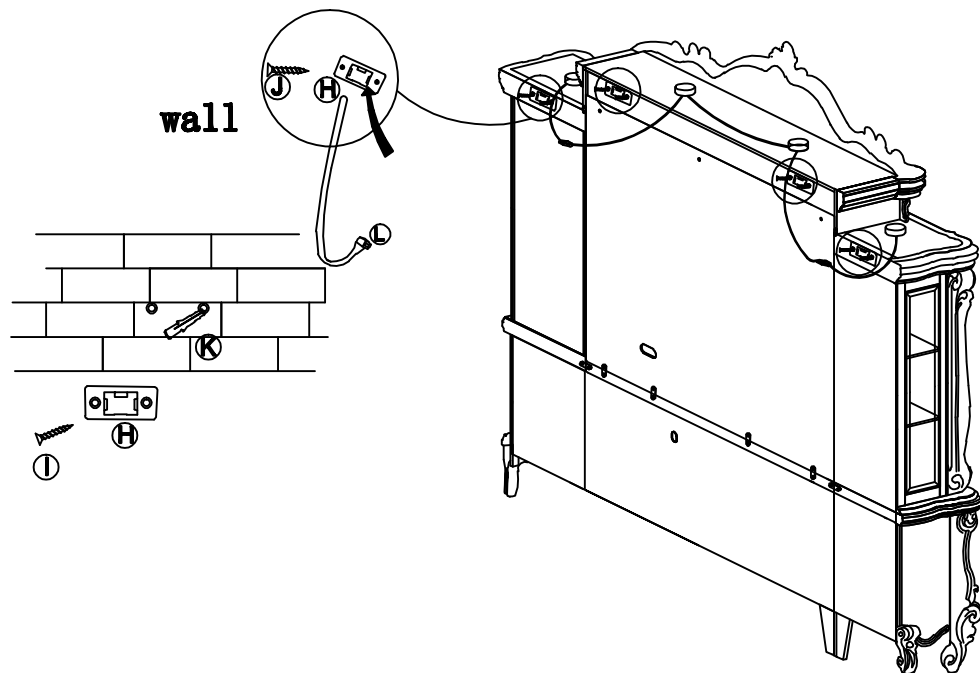
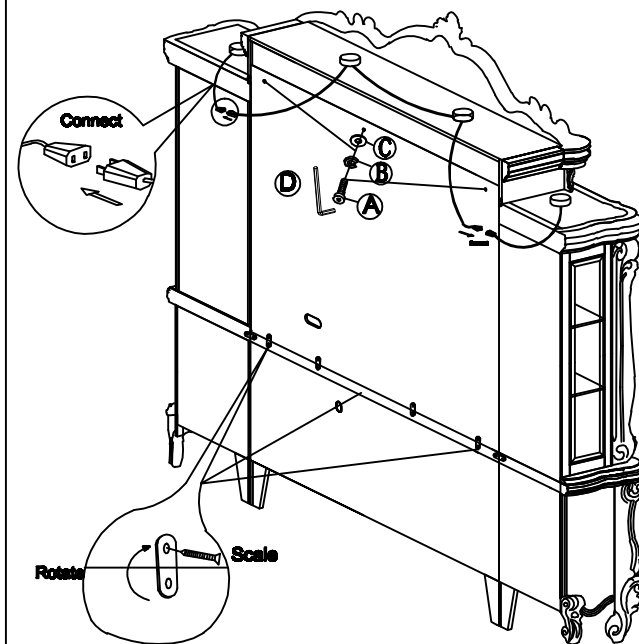
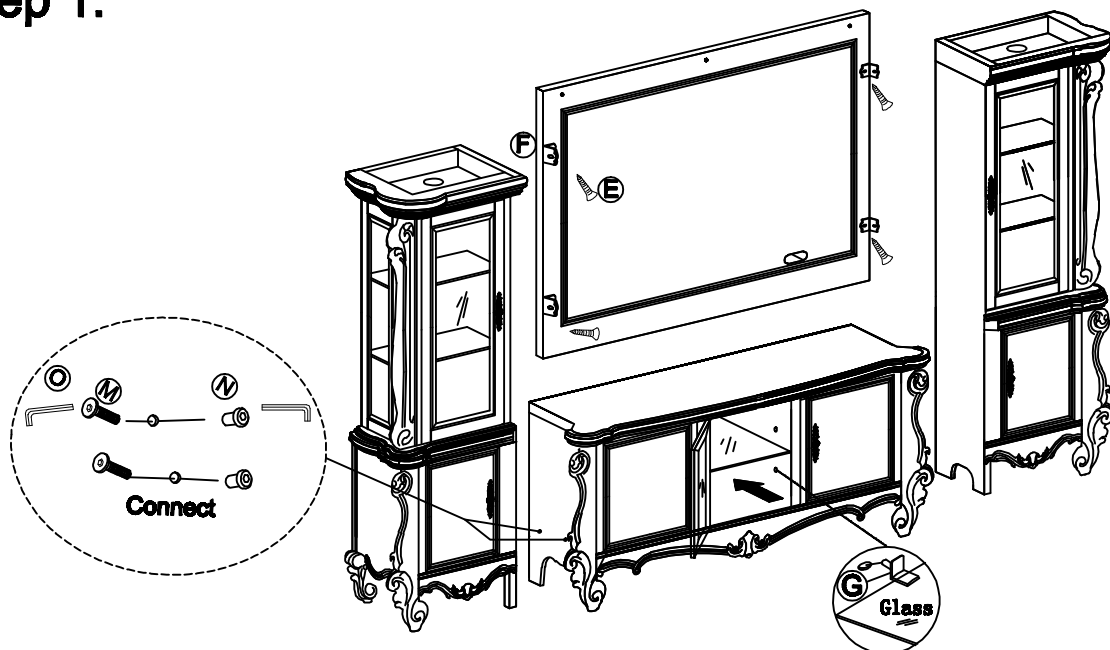
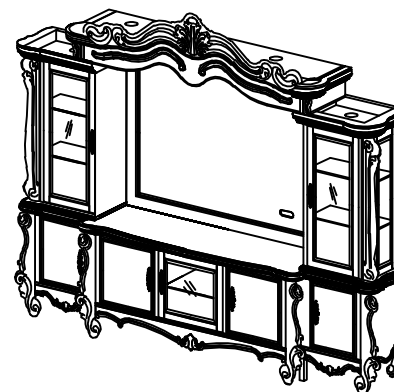


ASSEMBLY INSTRUCTION

Step 1:



Finish:



Hardware List:				
No.:	Description	Drawing	Size	Q'ty
A	Blot		5/16"X1"	3
B	Lock Washer		5/16"X12mm	3
C	Flat Washer		5/16"X22mm	3
D	Allen Wrench		5mm	1
E	Wood Screw		3X12mm	8
F	Metal Corner		18X18X16	4
G	Pine		Ø6	4
H	Fasten unit		44mmX20mm	8
I	Long Screw		7mmX38mm	8
J	Short Screw		6mmX16mm	8
K	Shrink bolt		5/16"X1-1/2"	8
L	Safety bolt		6mmX260mm	4
M	Connecting Bolt		Ø13X23mm	4
N	Connecting Nut		Ø13X20mm	4
O	Allen Wrench		4mm	2