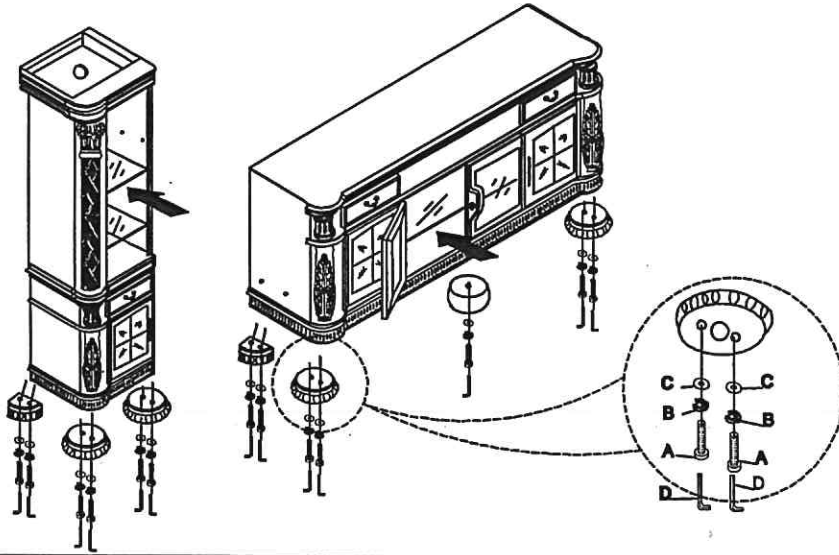
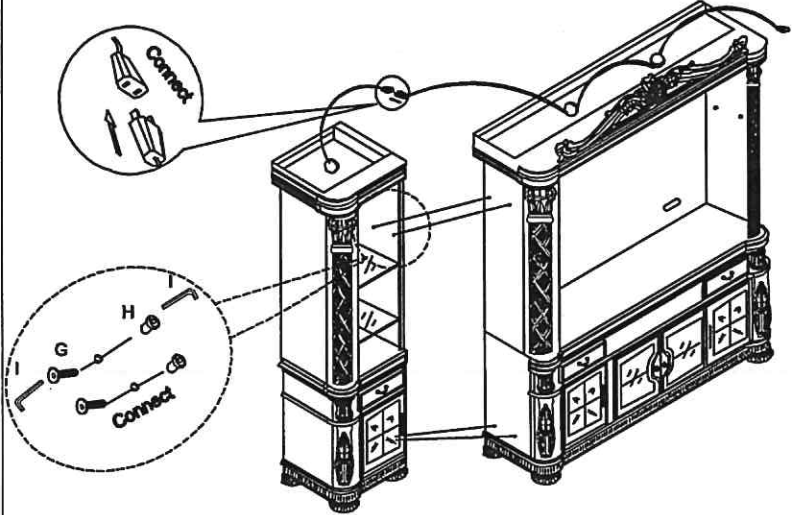


ASSEMBLY INSTRUCTION

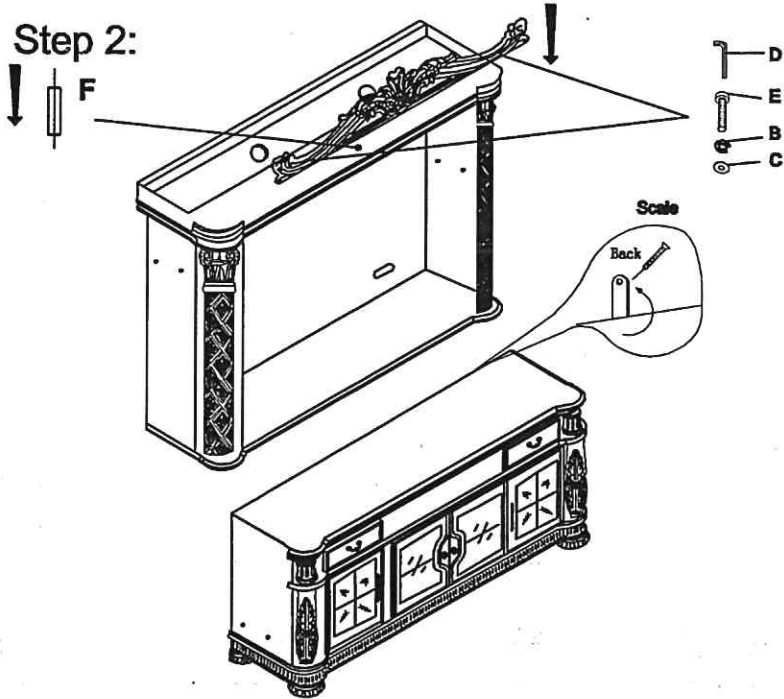
Step 1:



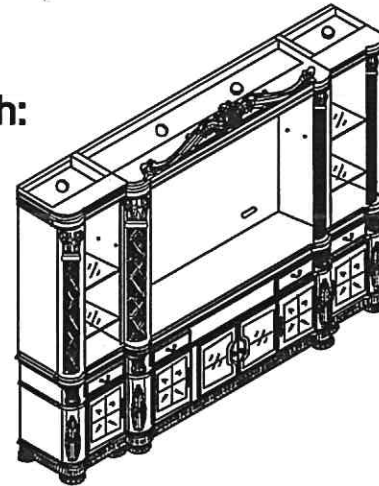
Step 3:



Step 2:



Finish:



Hardware List

No.:	Description	Drawing	Size	Q' ty
A	Long Bolt		Ø5/16"X2"	9
B	Lock Washer		Ø5/16"X12mm	9
C	Flat Washer		Ø5/16"X19mm	9
D	Allen Wrench		5mm	1
J	Allen Wrench			4