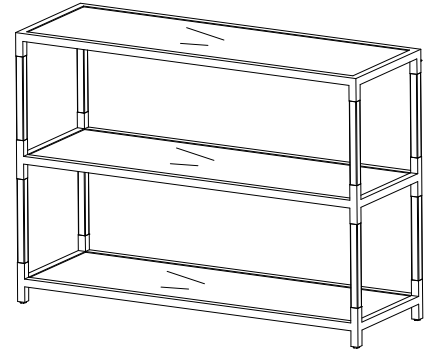
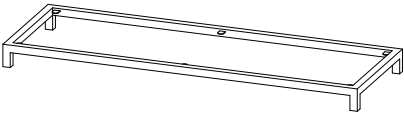
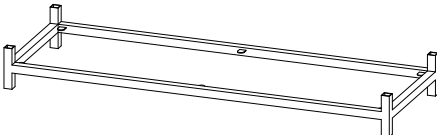
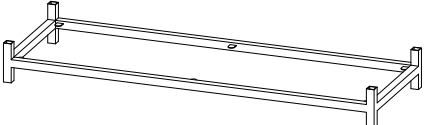
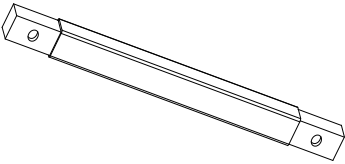
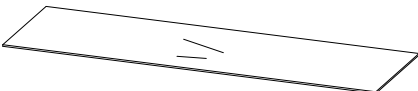
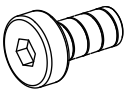
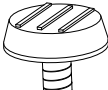

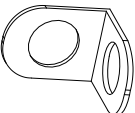
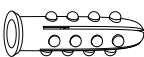


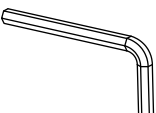


ITEM NO.91245 TV STAND

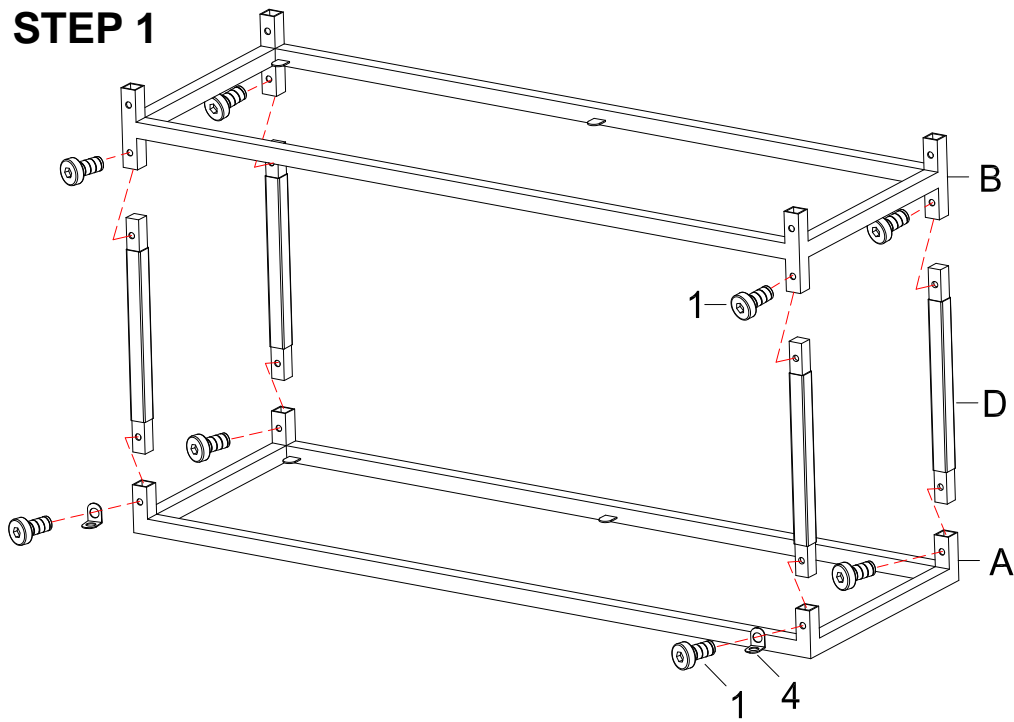


ASSEMBLY INSTRUCTIONS

<p style="text-align: center;">A</p>  <p style="text-align: center;">TOP FRAME 1PC</p>	<p style="text-align: center;">B</p>  <p style="text-align: center;">MIDDLE FRAME 1PC</p>	<p style="text-align: center;">C</p>  <p style="text-align: center;">BOTTOM FRAME 1PC</p>
<p style="text-align: center;">D</p>  <p style="text-align: center;">ACRYLIN STRETCHER 8PCS</p> <p style="text-align: center;">1</p>	<p style="text-align: center;">E</p>  <p style="text-align: center;">GLASS 3PCS</p> <p style="text-align: center;">2</p>	<p style="text-align: center;">F</p>
 <p style="text-align: center;">BOLT 1/4" X 1/2" 16PCS</p> <p style="text-align: center;">4</p>	 <p style="text-align: center;">LEVELER 4PCS</p> <p style="text-align: center;">5</p>	 <p style="text-align: center;">GLASS PAD 18PCS</p> <p style="text-align: center;">6</p>
 <p style="text-align: center;">L BRACKET 4PCS</p> <p style="text-align: center;">7</p>	 <p style="text-align: center;">WALL ANCHOR 2PCS</p> <p style="text-align: center;">8</p>	 <p style="text-align: center;">SCREW 2PCS</p> <p style="text-align: center;">9</p>
 <p style="text-align: center;">PLASTIC STRAP 2PCS</p>	 <p style="text-align: center;">ALLEN WRENCH 1PC</p>	

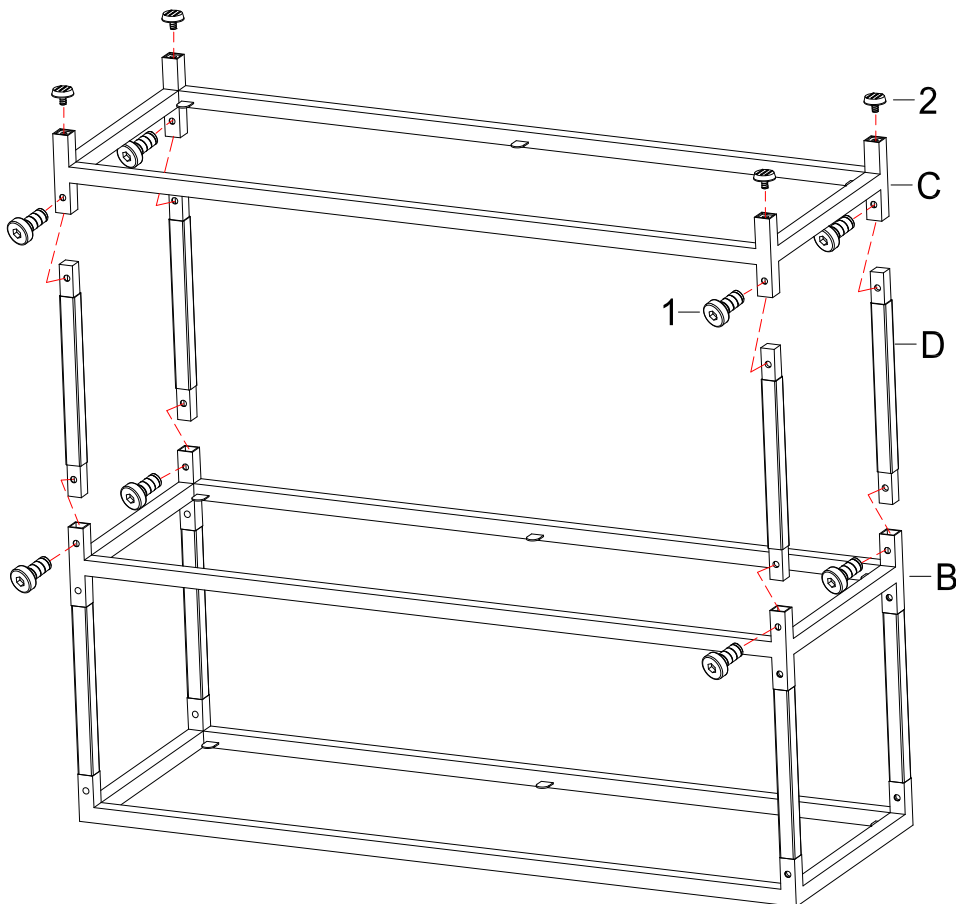
***** Do not tighten screws & bolts until the entire unit is completely assembled. *****

STEP 1



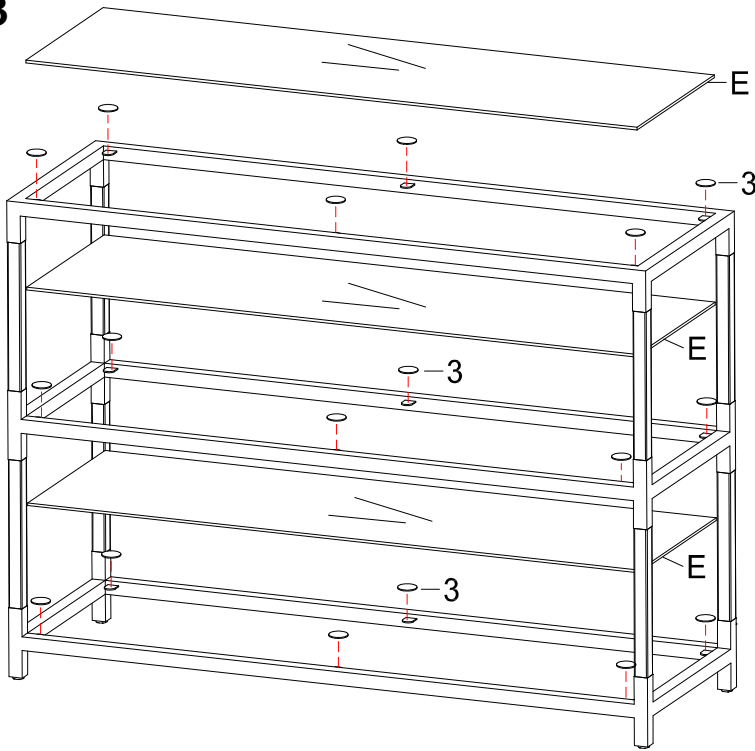
Attach acrylic stretcher (D) to top frame (A) and middle frame (B) by using bolt (1). Add L bracket (4) when using bolt (1) to attach acrylic stretcher (D) to top frame (A) as shown.

STEP 2



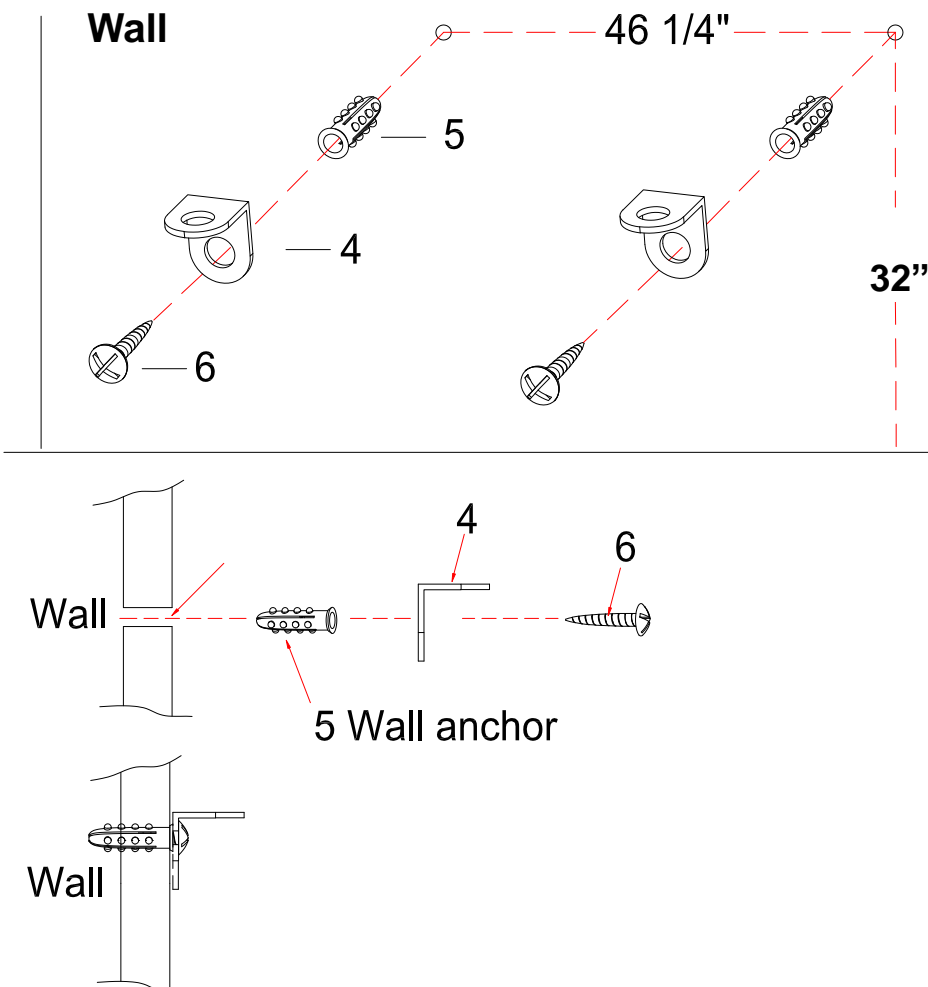
Attach acrylic stretcher (D) to the assembled unit and bottom frame (C) by using bolt (1), and attach leveler (2) to bottom frame (C) as shown.

STEP 3



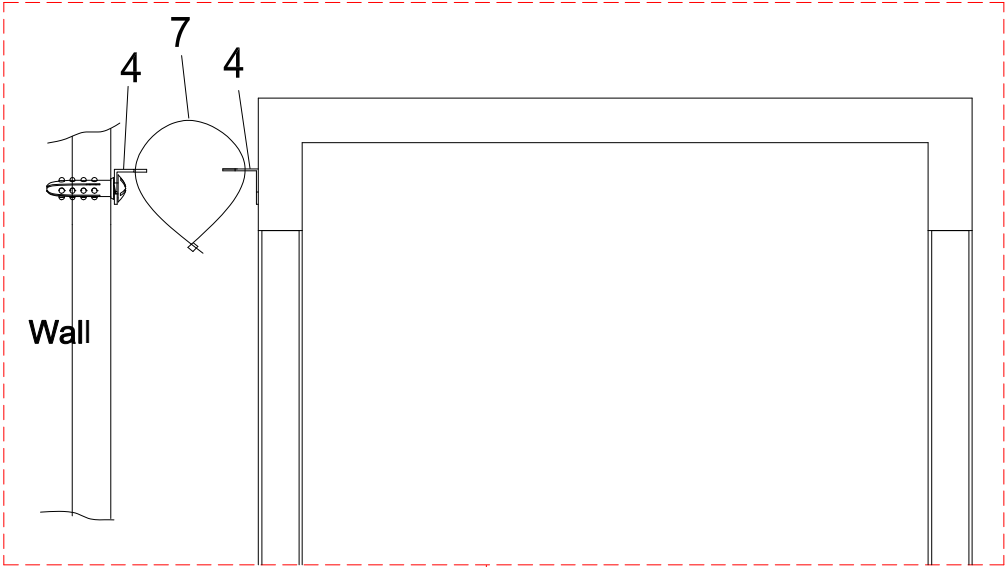
Attach glass pads (3) to each frames (A, B, C), and place the glass (E) on the assembled unit as shown.

STEP 4



Select a location where you want the TV stand mounted. Mark on the wall the two locations where the wall anchor (5) will be placed. Drill a hole for each anchor slightly smaller than the size of screw (6). Push the anchor (5) as far as it will go with your finger. Tap gently with a hammer until the anchor is in. Then align the L bracket (4) to the anchor and insert a screw (6) to secure.

STEP 5



Insert each end of the plastic strap (7) into L bracket (4), then secure and tighten.

