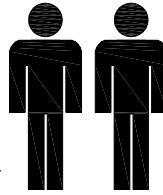




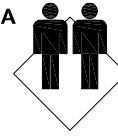
MODEL NAME:

91167

1.0hr



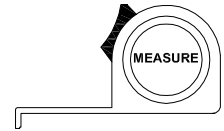
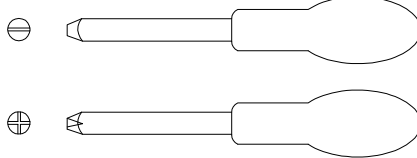
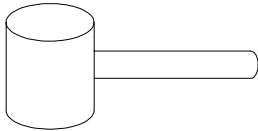
FLOOR AREA
1.0M X 2.2M



APPROXIMATE ASSEMBLY TIME

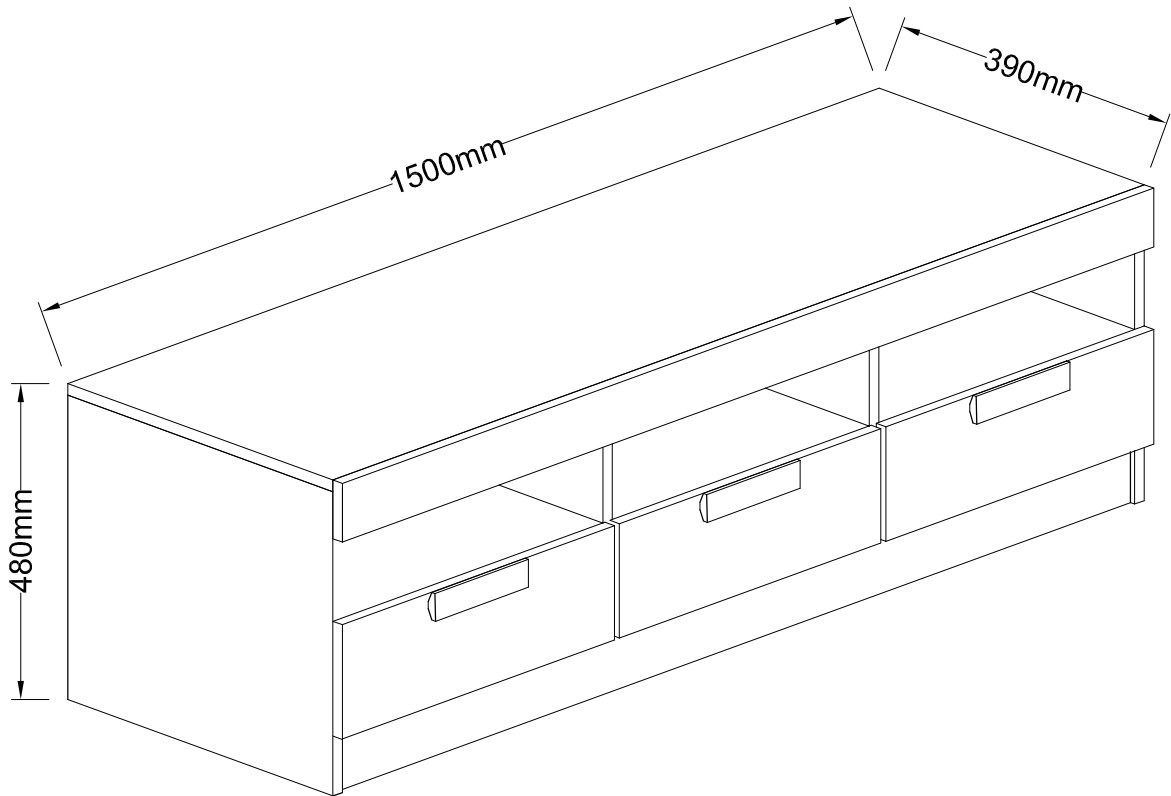
2 PERSON OF ASSEMBLY

REQUIRED ASSEMBLY SPACE



REQUIRED ASSEMBLY TOOLS

ASSEMBLED DIMENSIONS



NOTE : THE MAXIMUM WEIGHT THIS PRODUCT CAN HOLD UP TO 30 KGS.

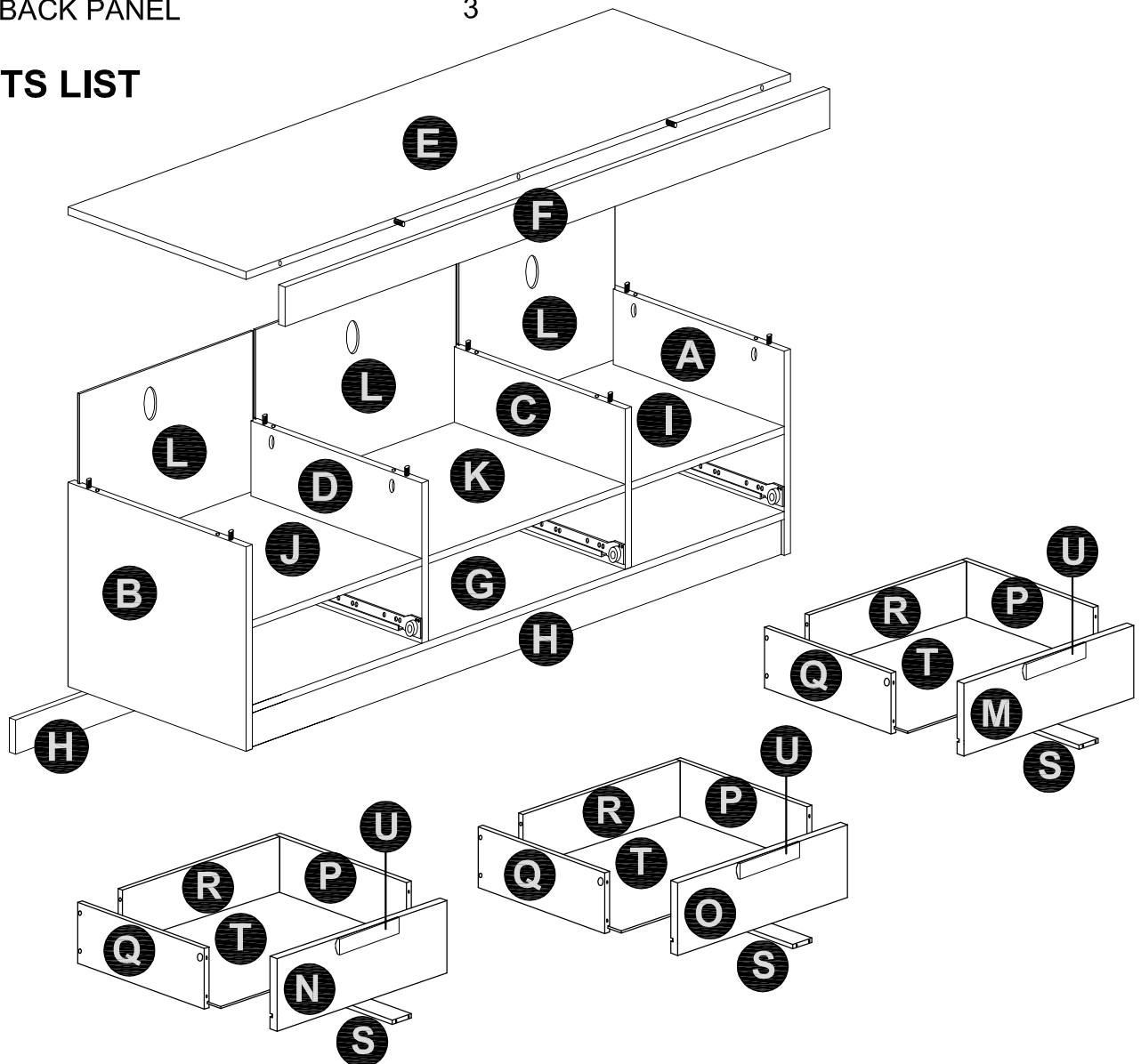
ACME

MODEL NAME:

91167

NO.	PART LIST	QTY	NO.	PART LIST	QTY
(A)	RIGHT SIDE PANEL	1	(M)	DRAWER COVER (RIGHT)	1
(B)	LEFT SIDE PANEL	1	(N)	DRAWER COVER (LEFT)	1
(C)	CENTRE PANEL (RIGHT)	1	(O)	DRAWER COVER (CENTRE)	1
(D)	CENTRE PANEL (LEFT)	1	(P)	DRAWER RIGHT SIDE PANEL	3
(E)	TOP PANEL	1	(Q)	DRAWER LEFT SIDE PANEL	3
(F)	FRONT PANEL	1	(R)	DRAWER BACK PANEL	3
(G)	BOTTOM PANEL	1	(S)	DRAWER BOTTOM SUPPORT	3
(H)	CROSSBAR	2	(T)	DRAWER BOTTOM PANEL	3
(I)	FIX PANEL (RIGHT)	1	(U)	HANDLE	3
(J)	FIX PANEL (LEFT)	1			
(K)	FIX PANEL (CENTRE)	1			
(L)	BACK PANEL	3			

PARTS LIST



ACME

MODEL NAME:

91167

HARDWARE LIST

4cm
3cm
2cm
1cm
0cm

1
32X
M3.5 x 12mm
FLAT HEAD SCREW

2
24X
M3.5 x 25mm
FLAT HEAD SCREW

3
29X
Dia.15mm
CAMLOCK

4
35X
M6.5
QUICKFIT

5
46X
Dia.6 x 30mm
WOOD DOWEL

4cm
3cm
2cm
1cm
0cm

6
6X
Dia.15mm
DRAWER CAMLOCK

7
12X
BACKPLY STOPPER

8
12X
M3 x 20mm
FLAT HEAD SCREW

9
8X
LEG COVER

10
4X
L-BRACKET

11
4X
M8 x 38mm
FLAT HEAD SCREW

12
3X
DRAWER RUNNER (RIGHT)

13
3X
DRAWER RUNNER (LEFT)

14
3X
DRAWER RUNNER (LEFT)

15
3X
DRAWER RUNNER (RIGHT)

16
2X
GLUE 10CC

17
1X
M4
ALLEN KEY



ACME

MODEL NAME:

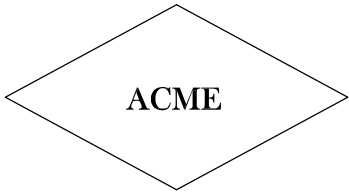
91167

Top Tips before you start!

1. Please check that all parts are present before you start the assembly of your furniture, as once assembled, the furniture is exempt from our home approval policy.
2. For ease and speed of assembly, we recommend that before you commence each step of the assembly, that you identify all the parts required for that step.
3. For larger items, please ensure that you have sufficient space and people (as indicated on page 1) to assemble your product safely
4. We recommend that, where possible, all items are assembled near to the area in which they will be placed in use, to avoid moving the product unnecessarily once assembled.
5. For the protection of your furniture, particularly items of high gloss finish, we recommend that the product is placed on a protected surface during assembly to prevent any damage.
6. During assembly please take care not to over-tighten any fittings, as this may damage the product.
7. Always place the product on a flat, steady and stable surface.
8. Do not sit or stand on the product.
9. This product is intended for indoor, household use only as it is non industrial product.
10. This product is constructed from re-inforced hollow board. Excessive pressure will cause irreparable damage. Please do not kneel on any part of this product during assembly.

Care and Maintenance of your Furniture

- Please periodically check all fittings are re-tighten as necessary.
- To clean your item, please use a damp cloth and wipe clean.
- Never allow any kind of liquid to remain on your furniture. Absorption can cause wood to warp or finishes to de-laminate.
- Please do not place hot items (e.g. hot drinks) directly on to the wood surface.
- Please do not drag and pull your furniture.

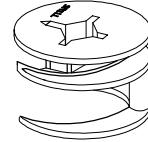


MODEL NAME:

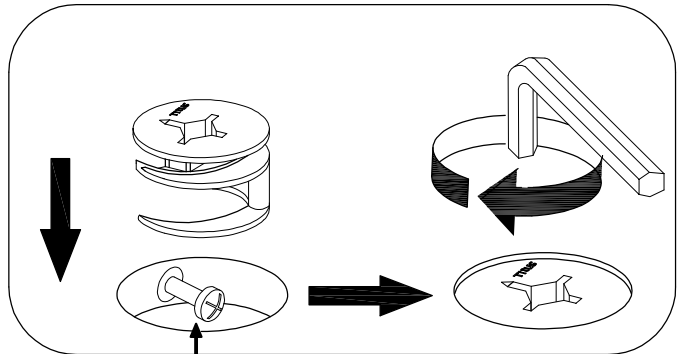
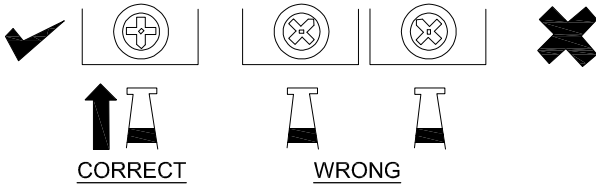
91167

SPECIAL TIPS FOR FITTING CAM-LOCKS AND QUICKFIT

CAM-LOCK

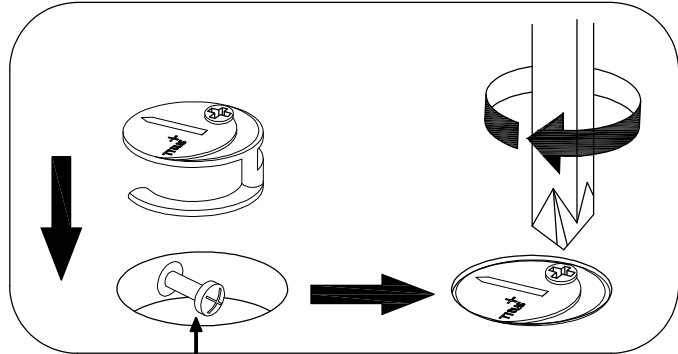


WHEN FITTING CAMLOCK
ENSURE STARTING POSITION IS CORRECT
BEFORE YOU INSERT CONNECTING QUICKFIT
TURN CLOCKWISE UNTIL SECURE



Quickfit head needs to be in centre

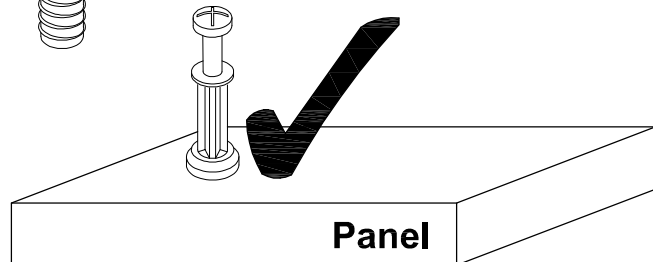
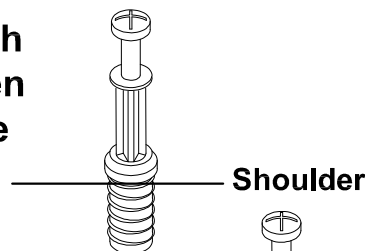
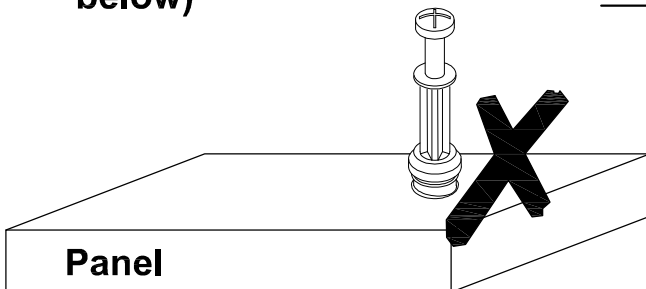
DRAWER
CAM-LOCK



Quickfit head needs to be in centre

QUICKFIT

Tighten until shoulder is flush with panel. Do not overtighten or undertighten (see example below)

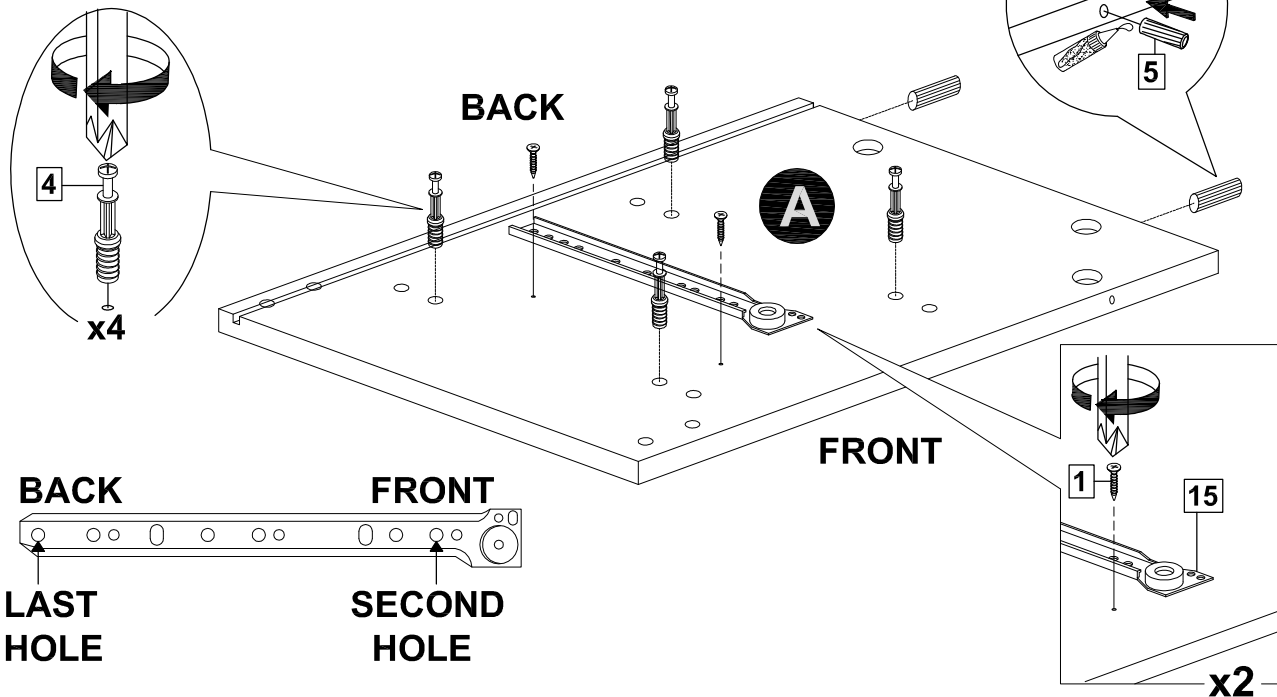




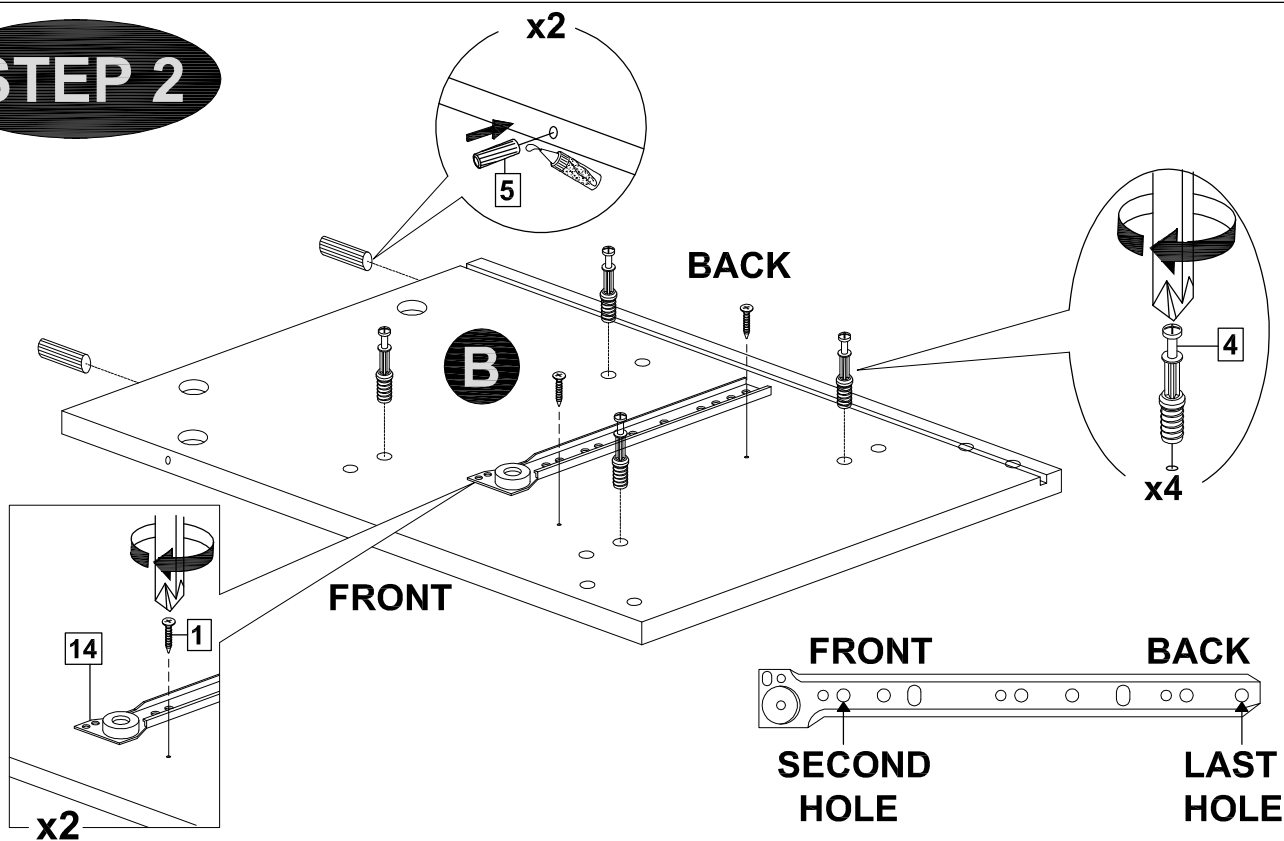
MODEL NAME:

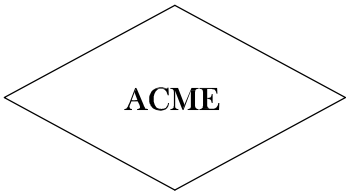
91167

STEP 1



STEP 2

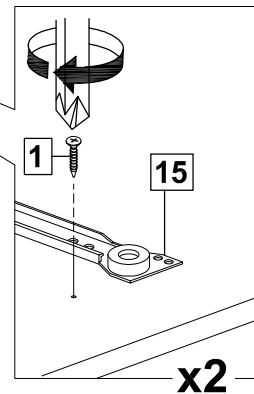
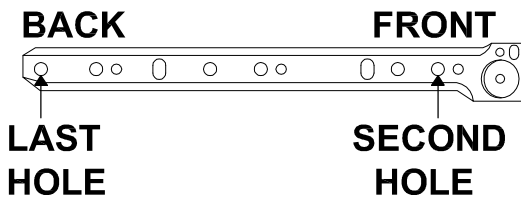
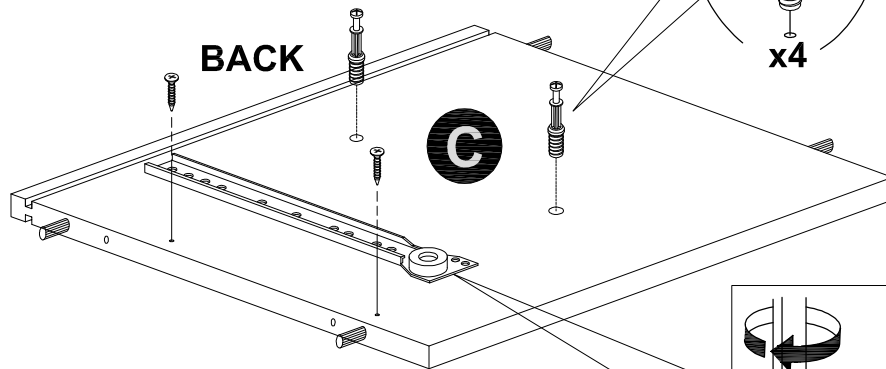
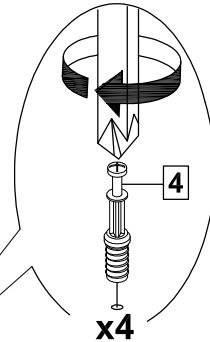
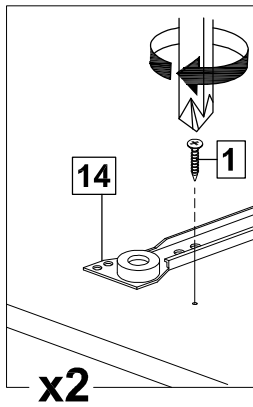
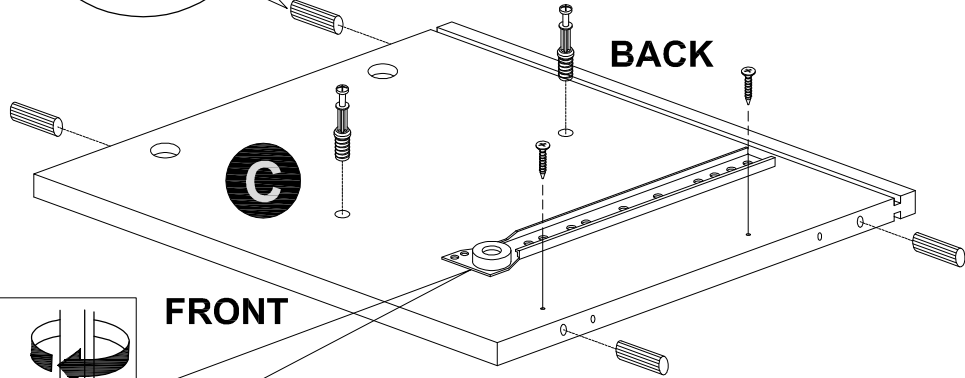
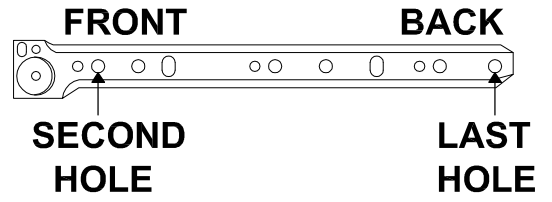
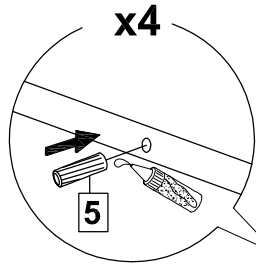




MODEL NAME:

91167

STEP 3

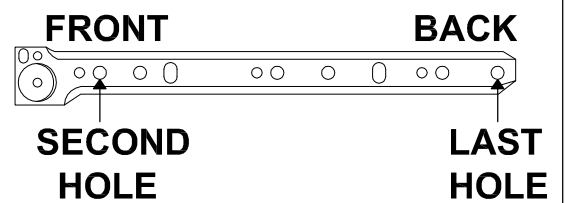
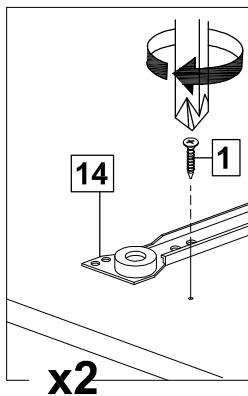
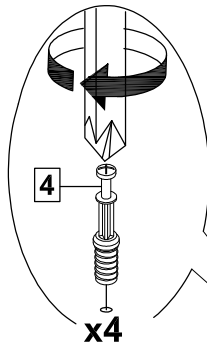
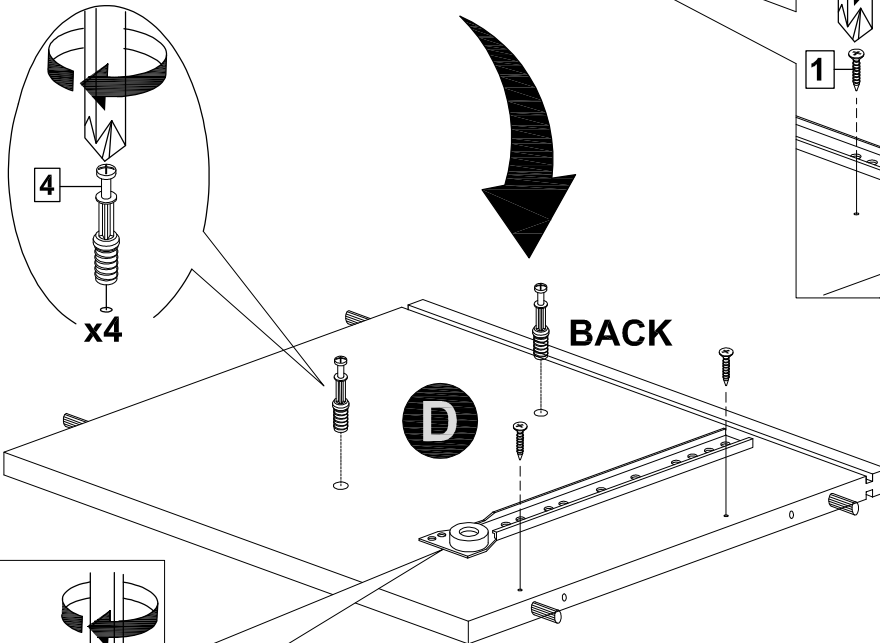
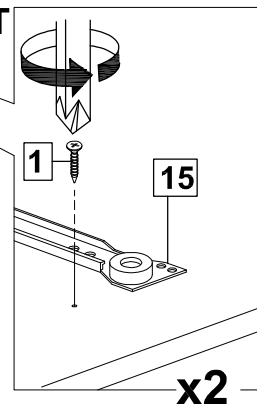
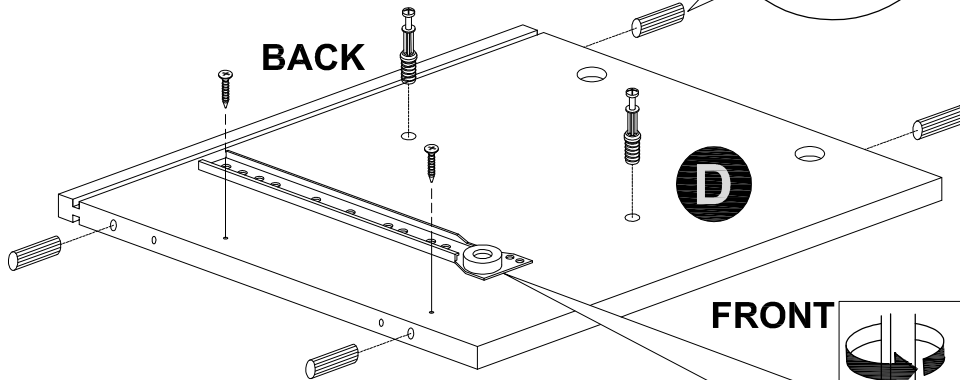
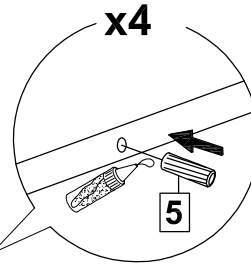
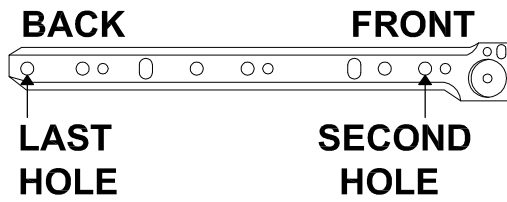


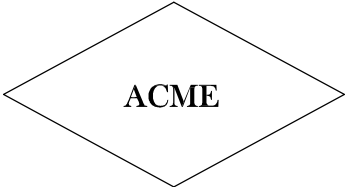
ACME

MODEL NAME:

91167

STEP 4

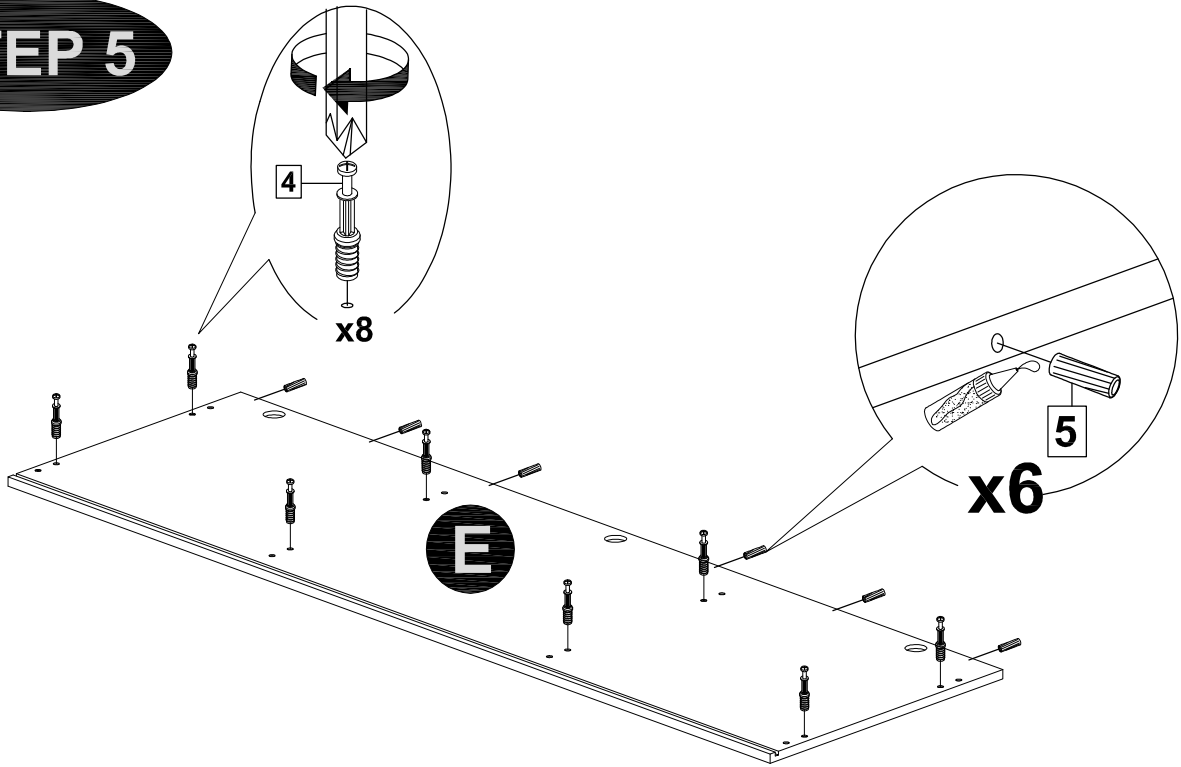




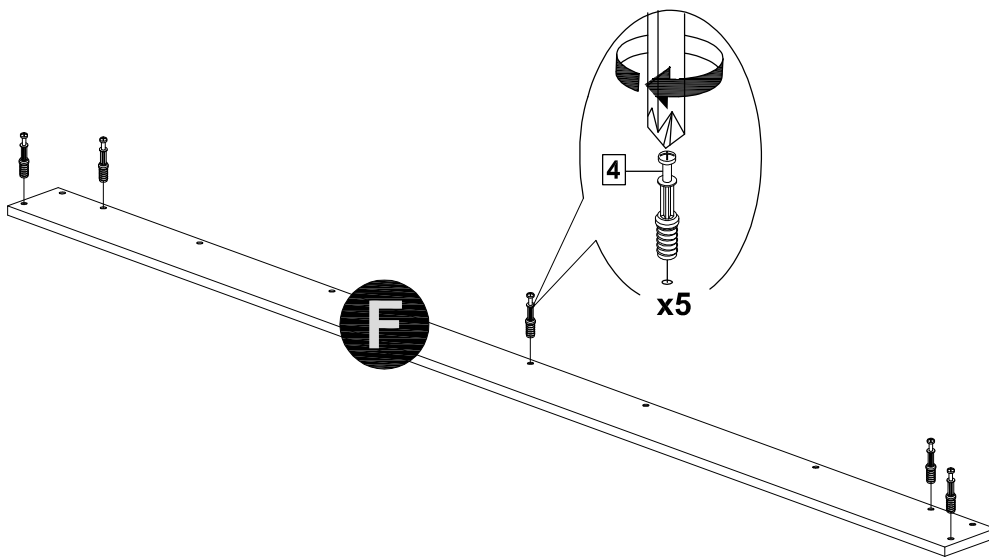
MODEL NAME:

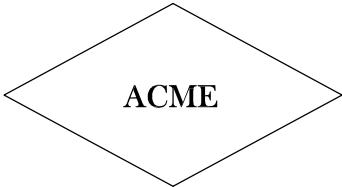
91167

STEP 5



STEP 6

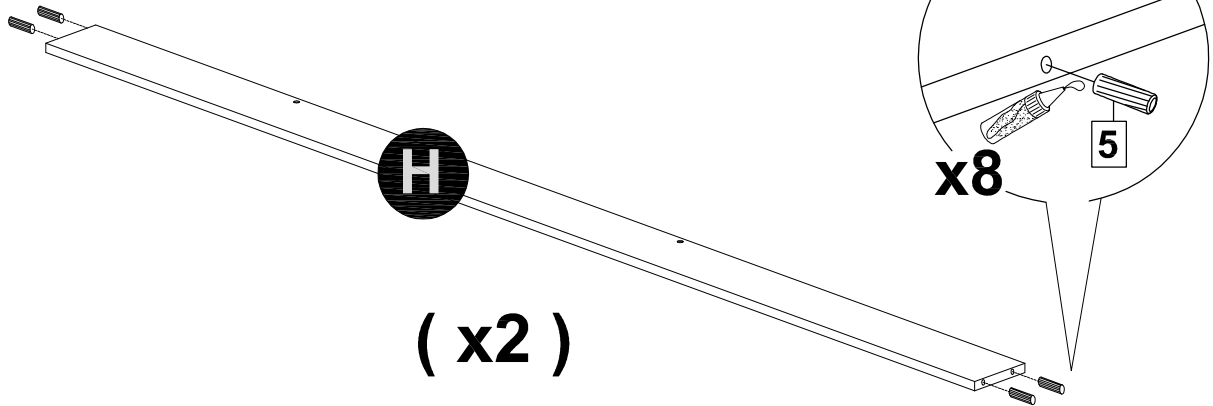




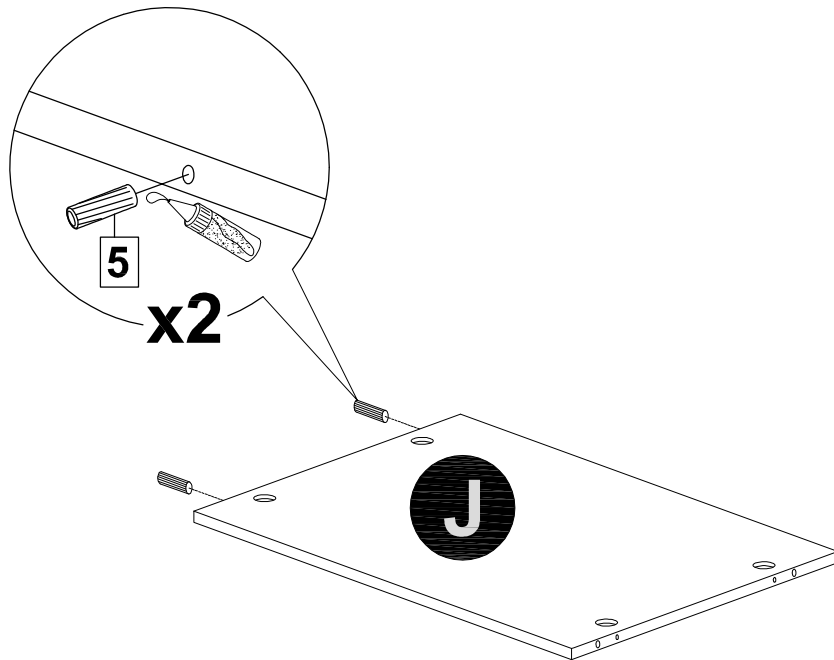
MODEL NAME:

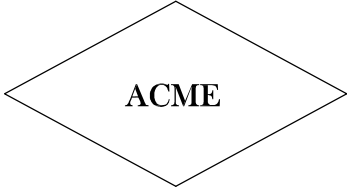
91167

STEP 7



STEP 8

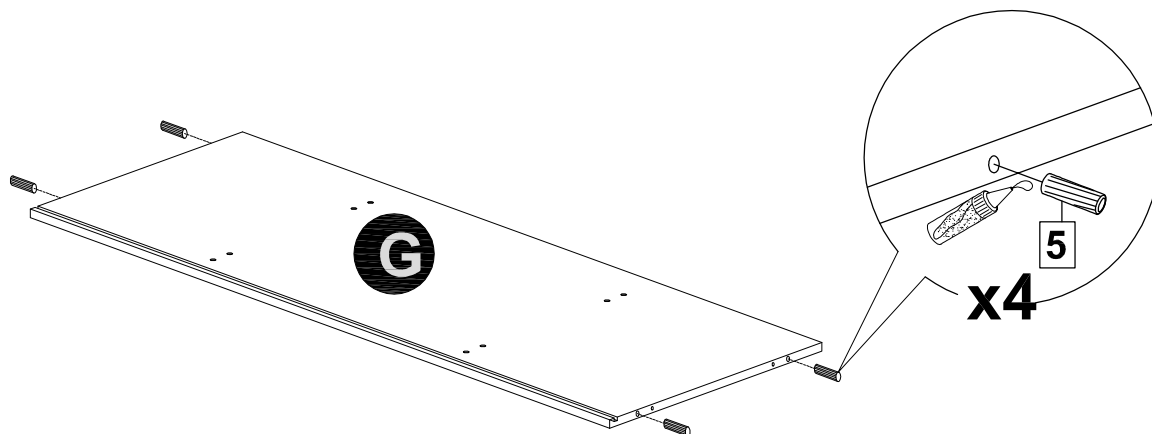




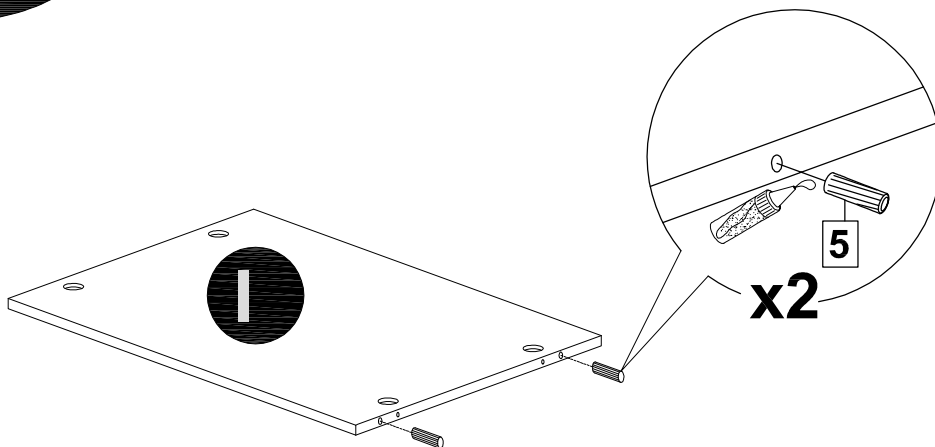
MODEL NAME:

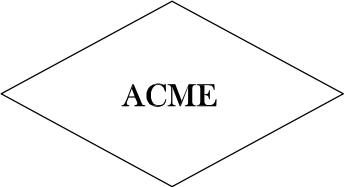
91167

STEP 9



STEP 10

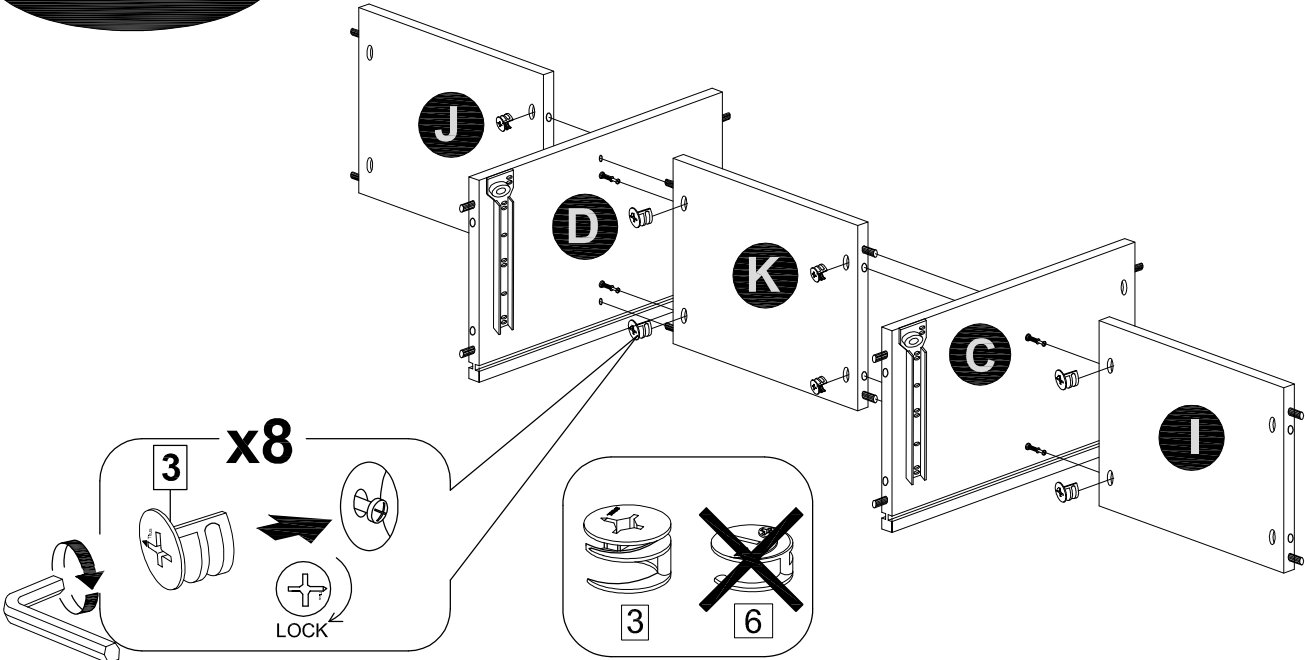




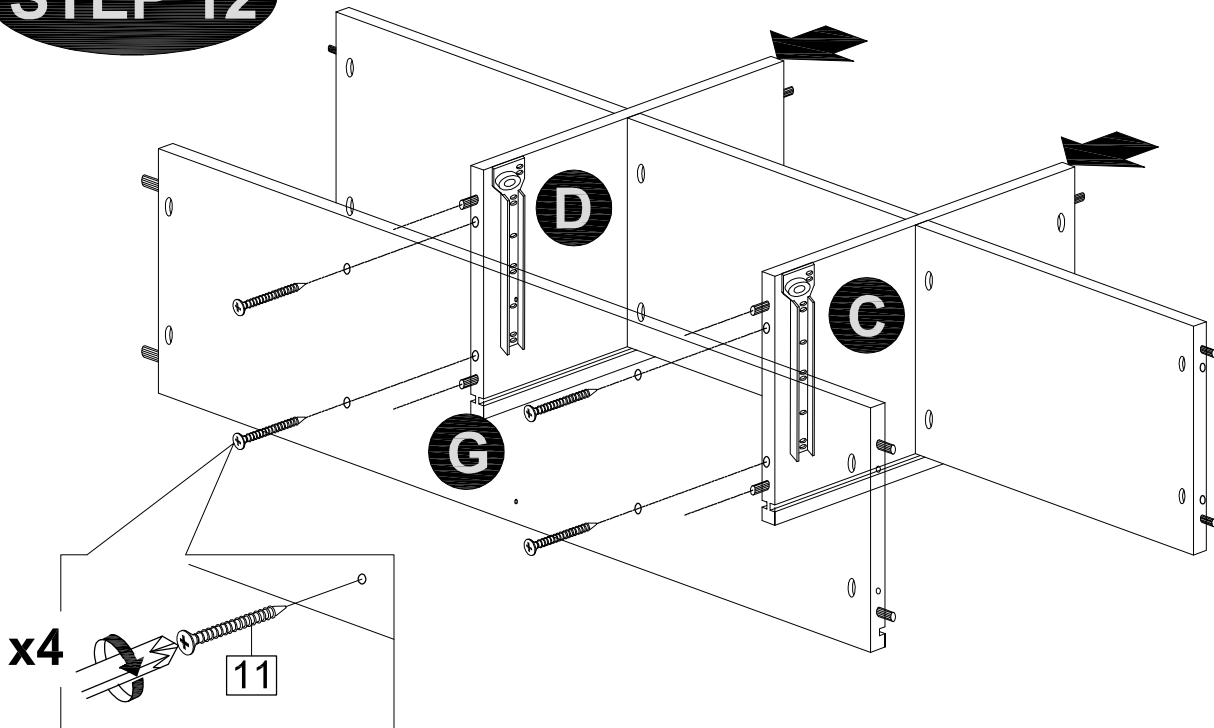
MODEL NAME:

91167

STEP 11



STEP 12

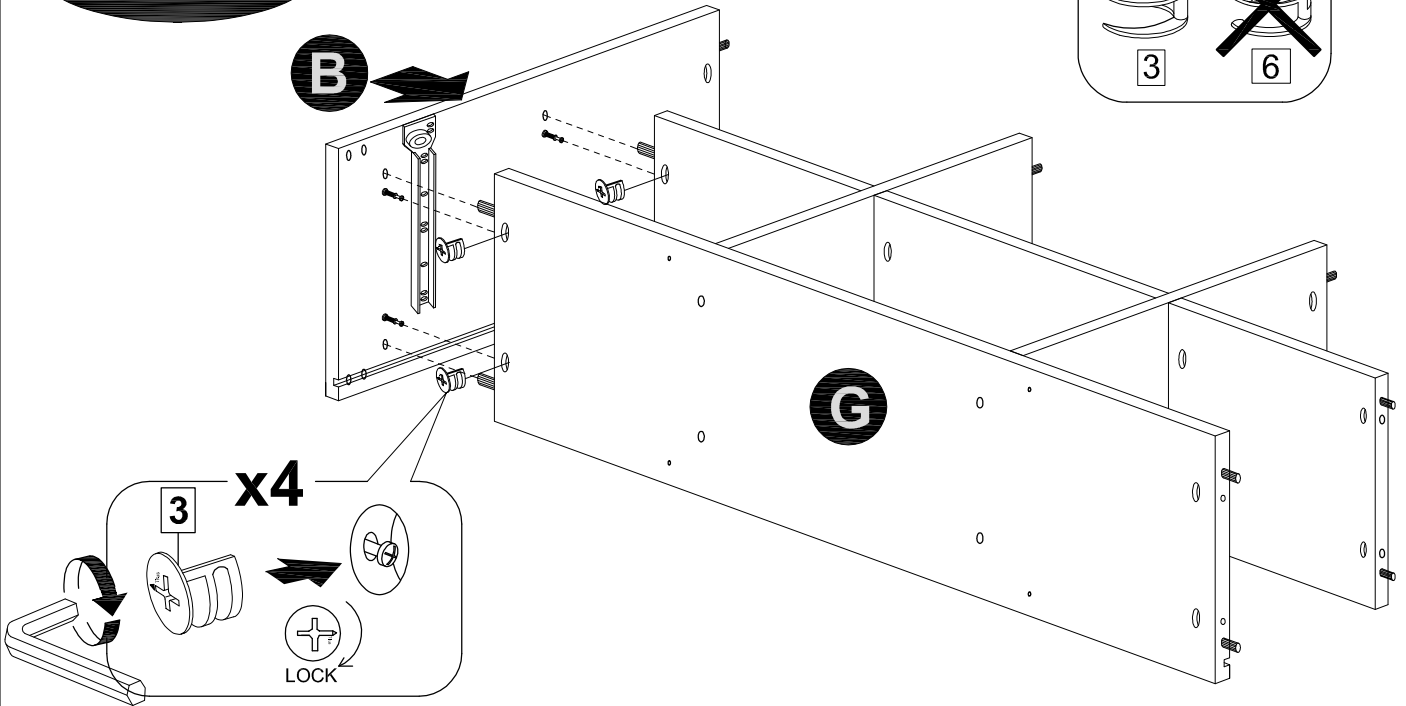
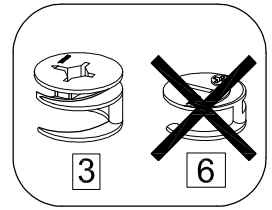


ACME

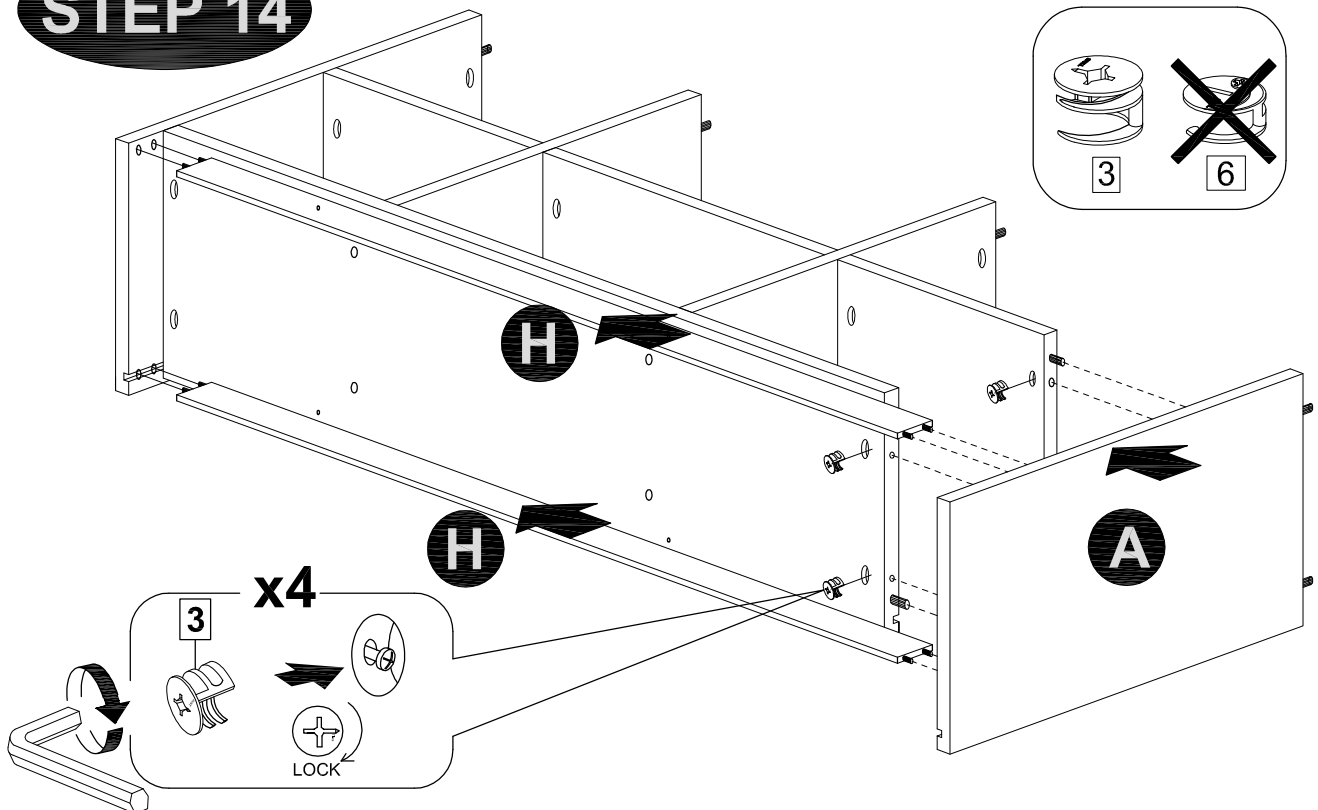
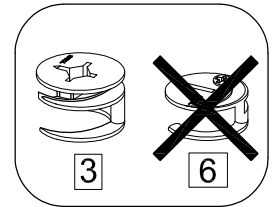
MODEL NAME:

91167

STEP 13



STEP 14

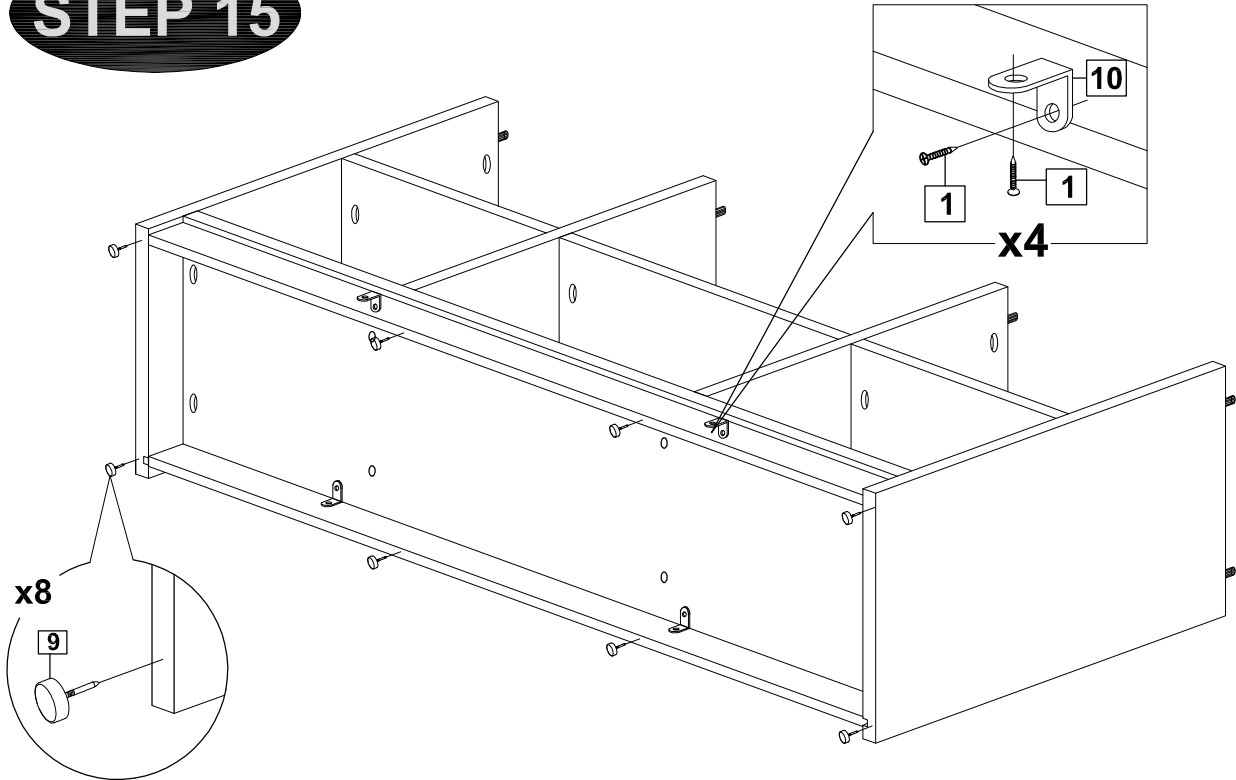


ACME

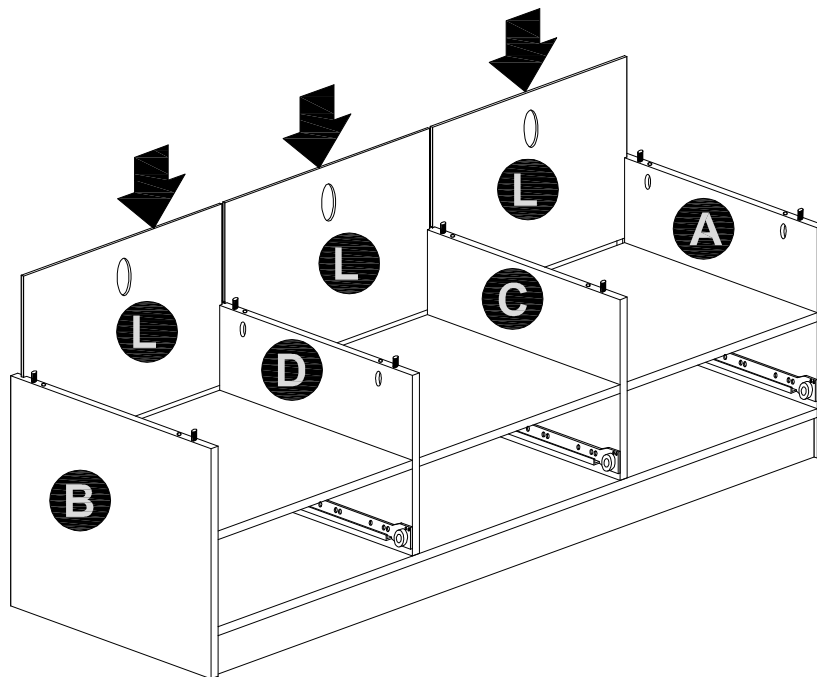
MODEL NAME:

91167

STEP 15



STEP 16

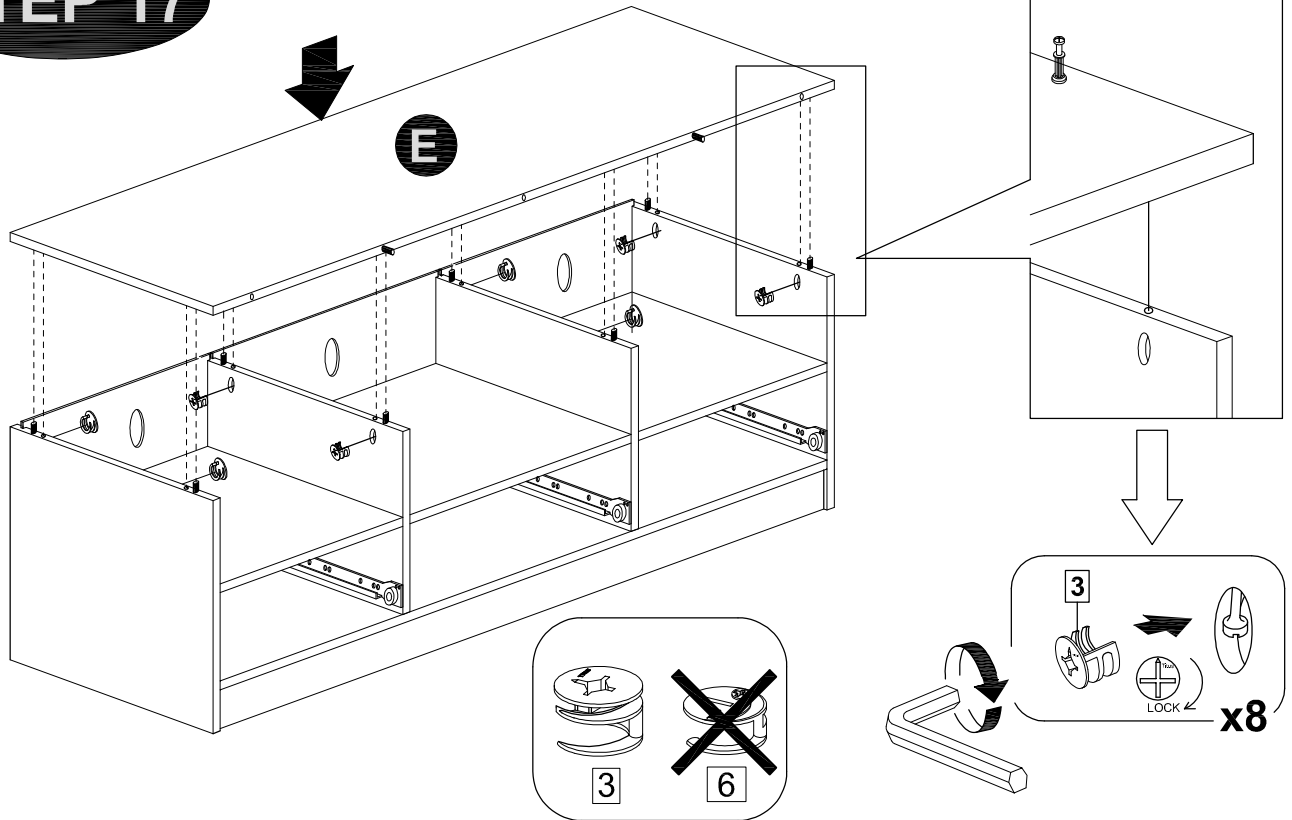


ACME

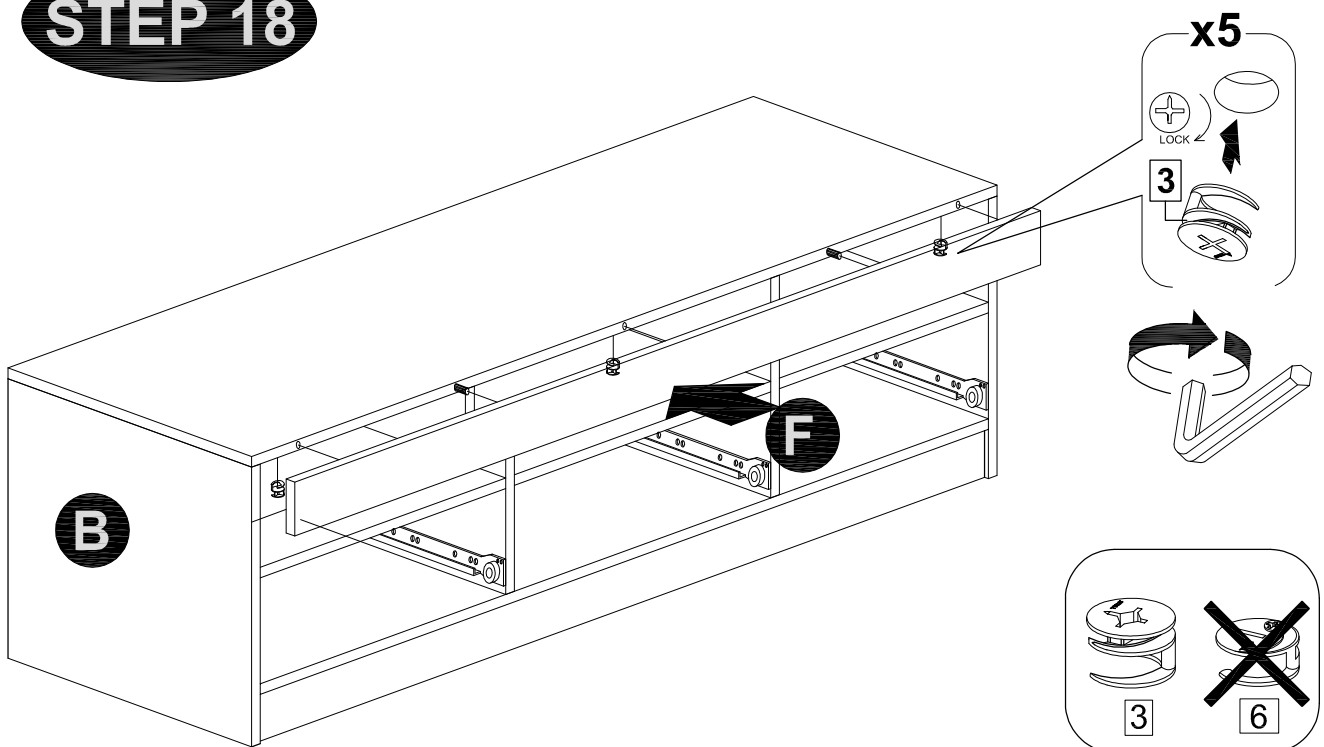
MODEL NAME:

91167

STEP 17



STEP 18

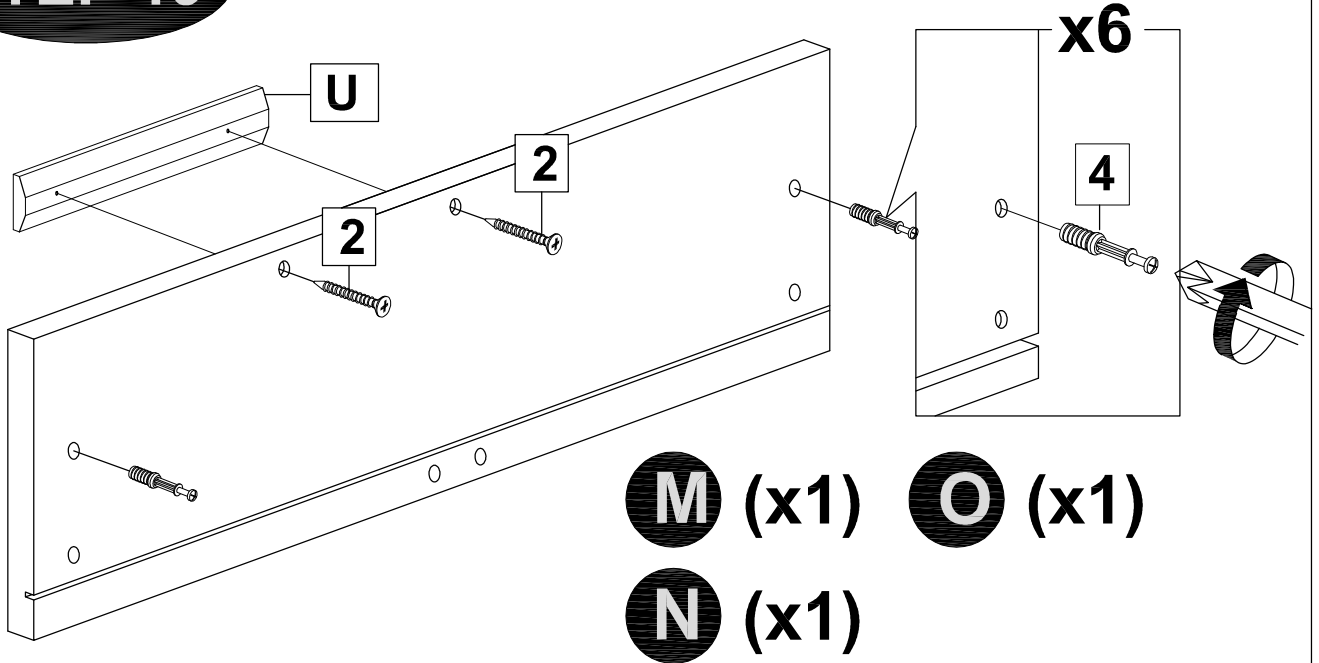


ACME

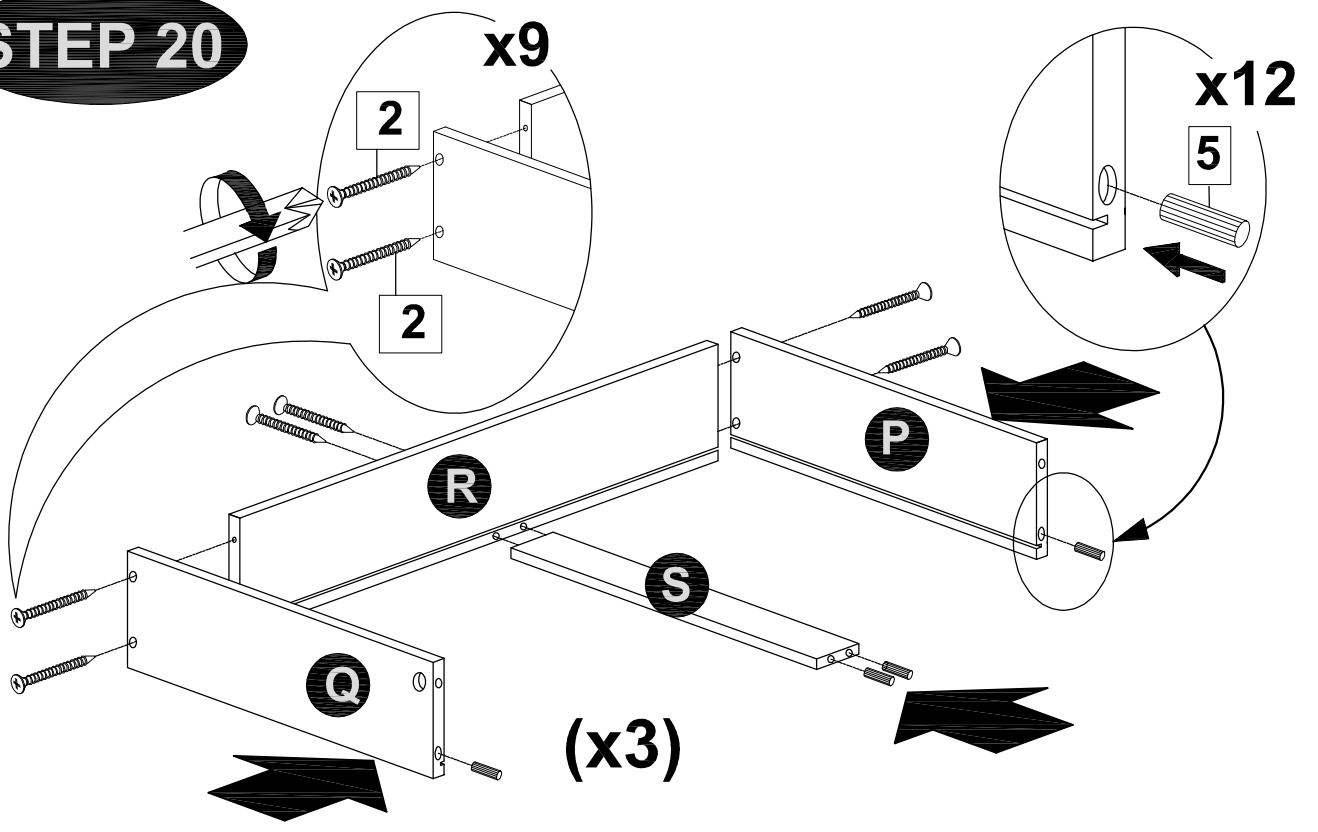
MODEL NAME:

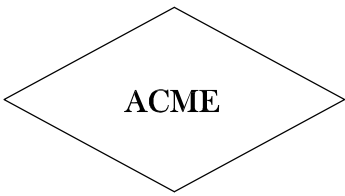
91167

STEP 19



STEP 20

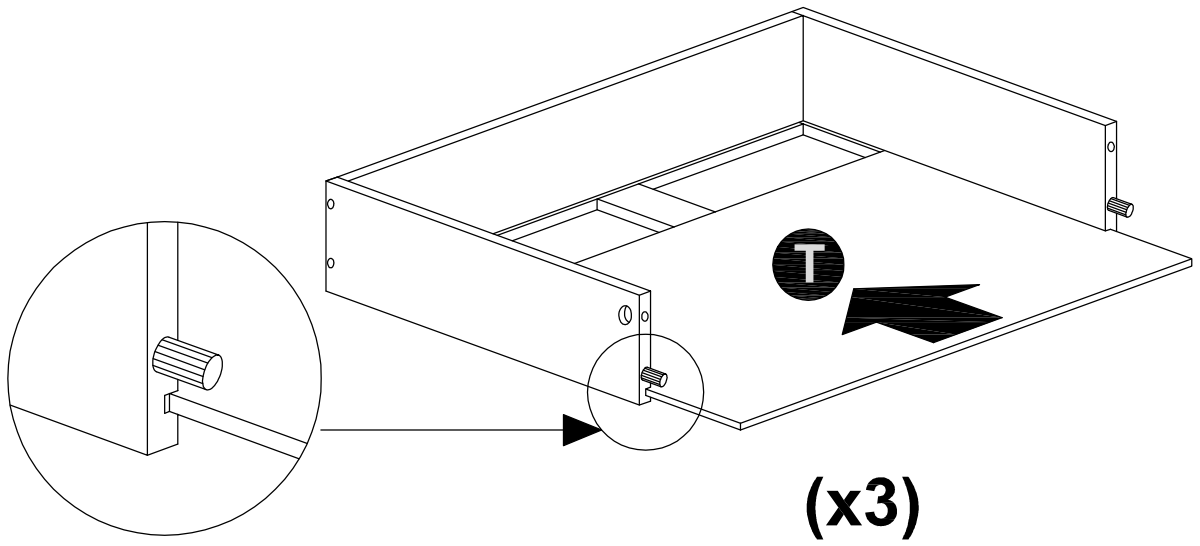




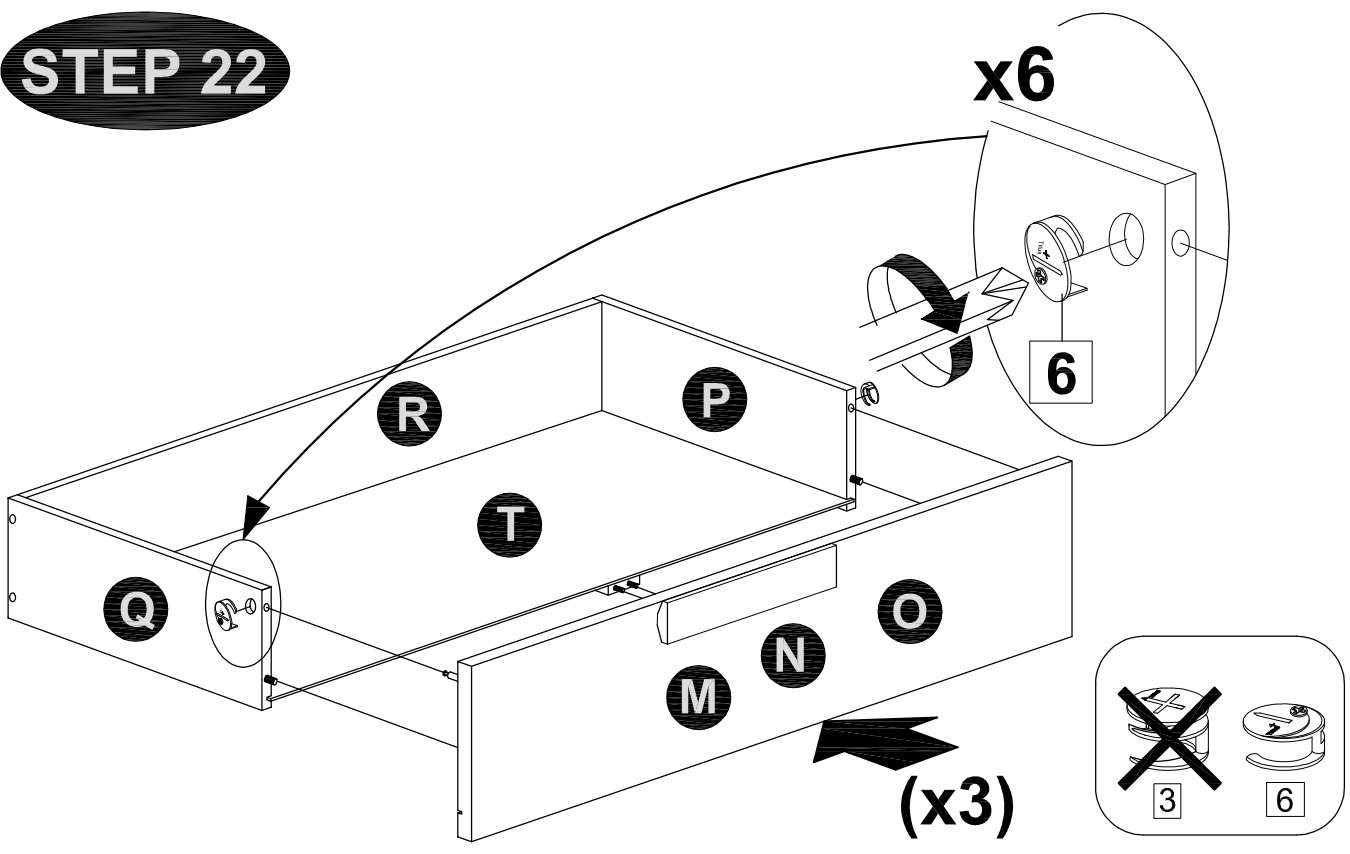
MODEL NAME:

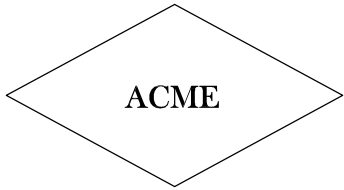
91167

STEP 21



STEP 22

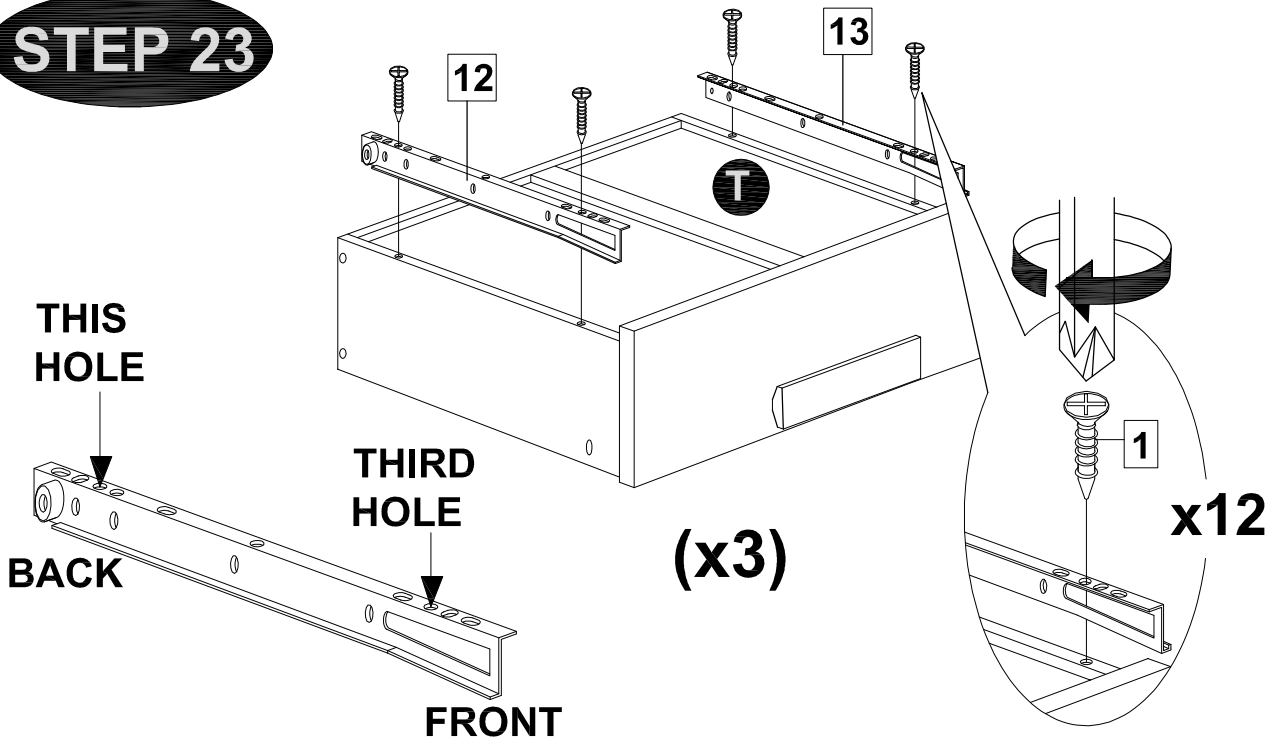




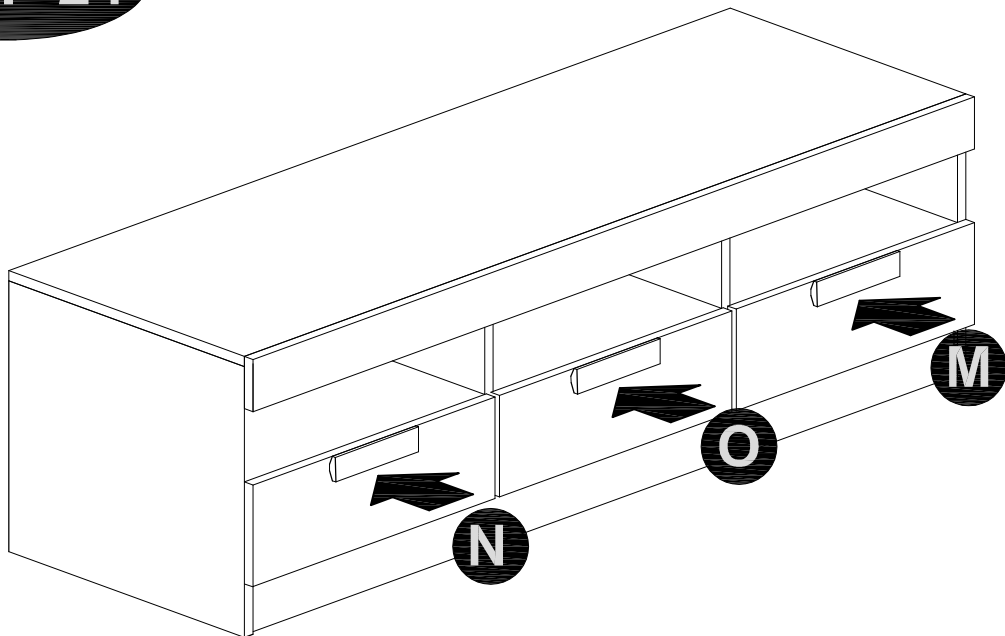
MODEL NAME:

91167

STEP 23



STEP 24

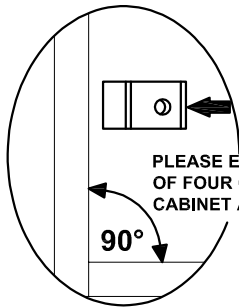
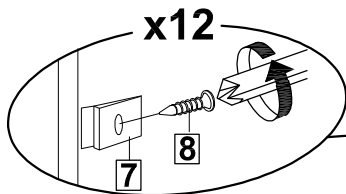


ACME

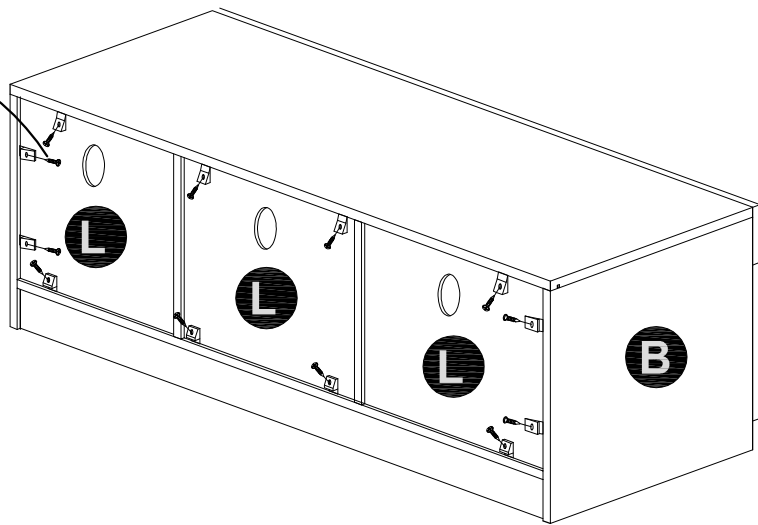
MODEL NAME:

91167

STEP 25



PLEASE ENSURE THAT EACH OF FOUR CORNERS OF CABINET ARE SQUARE



STEP 26

