

# ASSEMBLY INSTRUCTIONS

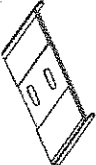










ITEM NO: 91008/91010/91012/91014

1/2

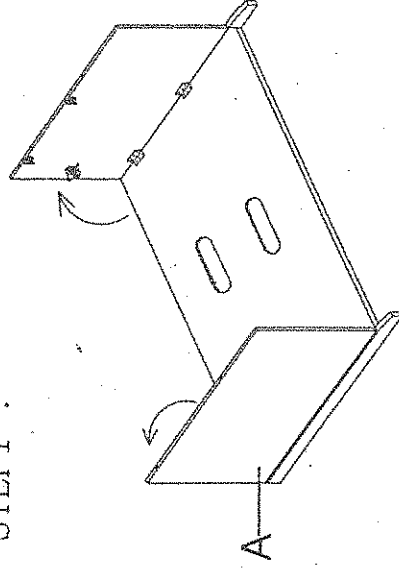
Thank you for purchasing this quality product. Be sure to check all packing materials carefully for small parts which may have come loose inside the carton during shipment. Identify and count all parts and compare with the parts list below.

\*\*Assemble product on a flat, soft surface such as a carpet or cloth to prevent scratching the finish. Read all instruction and study the drawings carefully before starting the assembly process.

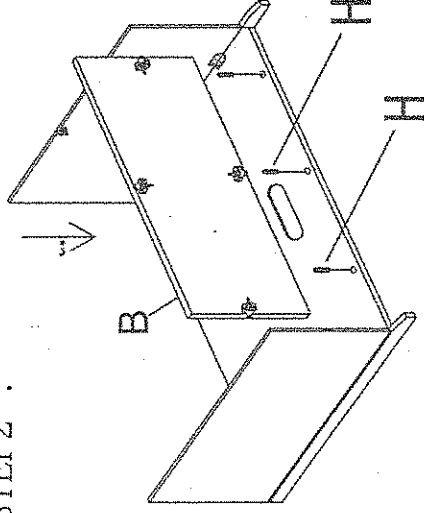
## PARTS LIST

A	vented Back Panel 	1PC	G	Middle Shelf 	1PC
B	Bottom Shelf 	1PC	H	Dowels 	36PCS
C	Interior Partitions 	2PCS	I	Shelf pins 	12PCS
D	Front frame 	1PC	J	Door knobs 	4PCS
E	Top 	1PC	K	Bolt 	4PCS
F	Side Shelves 	2PCS			

STEP1 :



STEP2 :

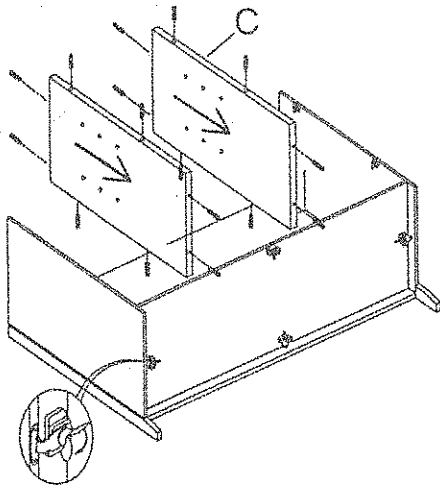


# ASSEMBLY INSTRUCTIONS

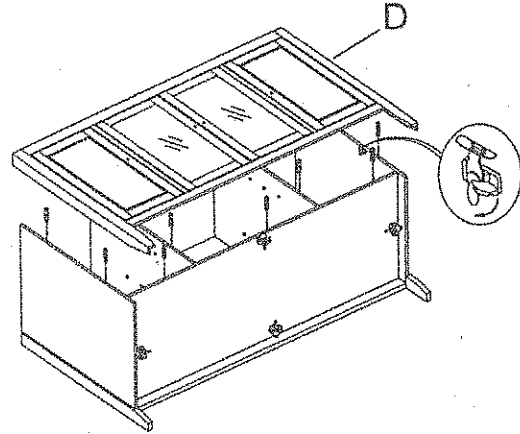
ITEM NO: 91008/91010/91012/91014

2/2

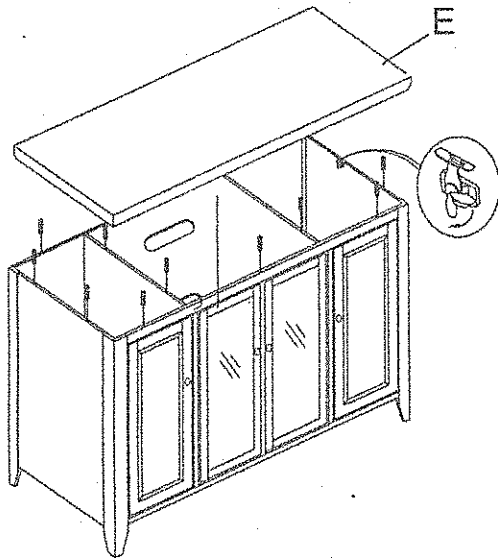
STEP3 :



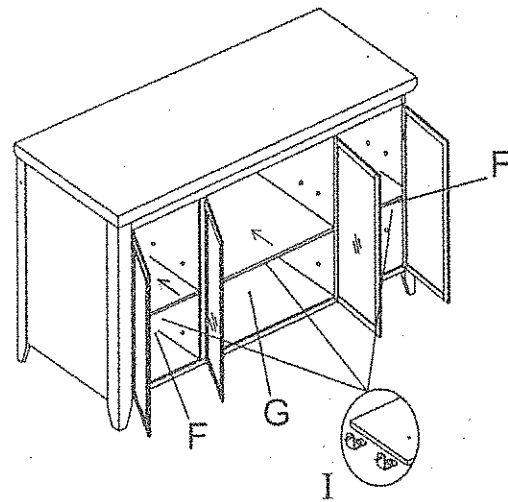
STEP4 :



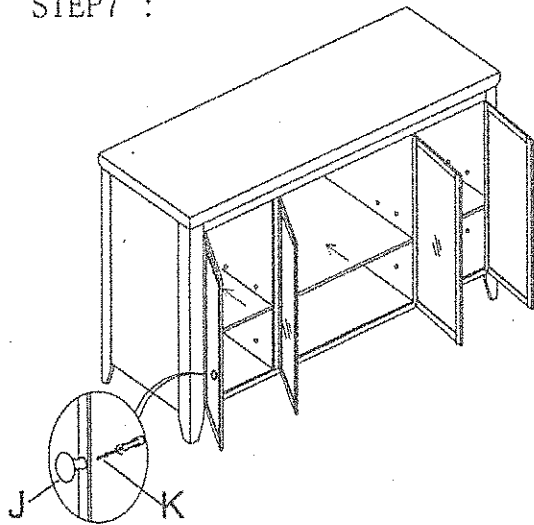
STEP5 :



STEP6 :



STEP7 :



STEP8 :

