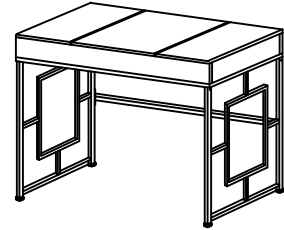
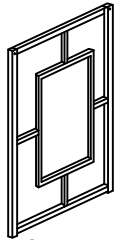


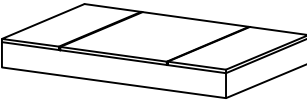
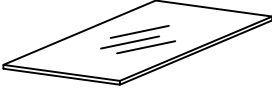
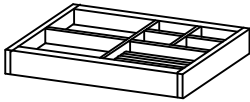
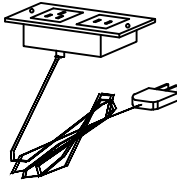
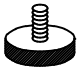
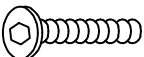






ITEM NO. 90315/90317

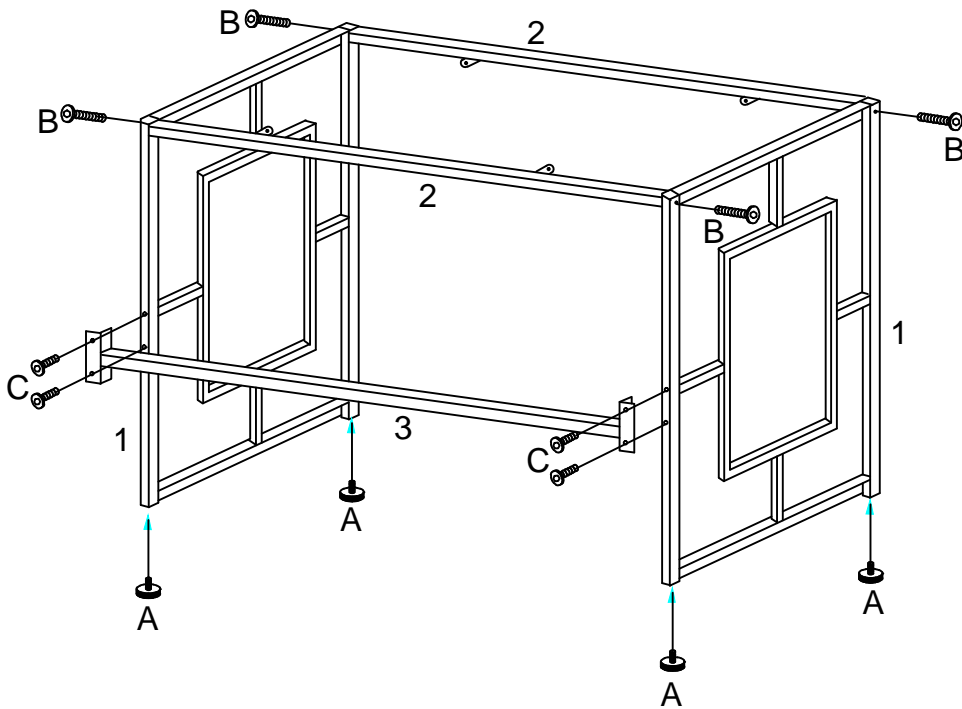
VANITY DESK



ASSEMBLY INSTRUCTION

<p>1</p>  <p>METAL SIDE PANEL 2PCS</p>	<p>2</p>  <p>TOP SUPPORT 2PCS</p>	<p>3</p>  <p>STRETCHER 1PC</p>	<p>4</p>  <p>TABLE TOP 1PC</p>
<p>5</p>  <p>GLASS 1PC</p>	<p>6</p>  <p>JEWELRY BOX 1PC</p>	<p>7</p>  <p>USB 1PC</p>	
<p>A</p>  <p>LEVELER 4PCS</p>	<p>B</p>  <p>BOLT 1/4"x44mm 4PCS</p>	<p>C</p>  <p>BOLT 1/4"x12mm 8PCS</p>	<p>D</p>  <p>SCREW 2PCS</p>
<p>E</p>  <p>CAP 4PCS</p>	<p>F</p>  <p>ALLEN KEY 1PC</p>		

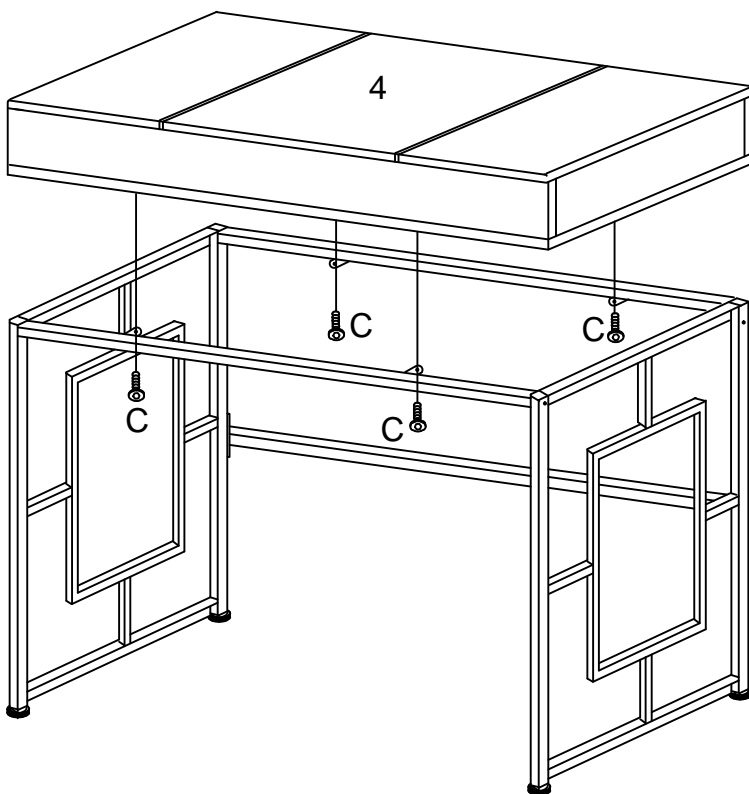
STEP 1



Attach metal side panels (1) to top supports (2) using bolts (B), and then attach stretcher (3) to side panels (1) using bolts (C) as shown.

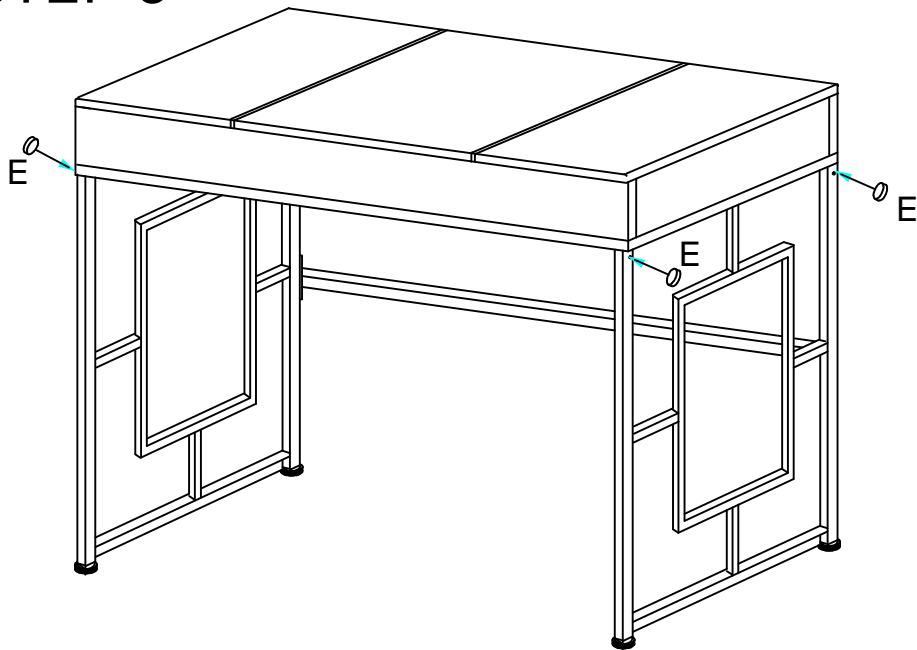
Attach levelers (A) to the bottom of metal side panels (1).

STEP 2



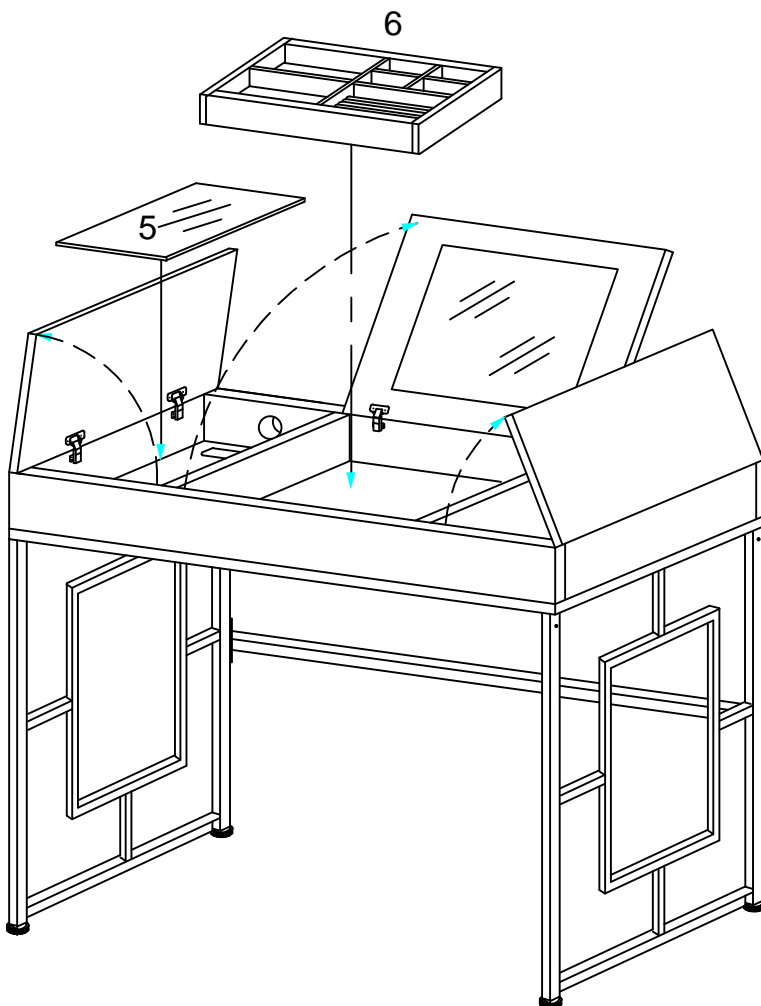
Attach table top (4) to the assembled metal base using bolts (C) as shown. Tighten all bolts firmly.

STEP 3



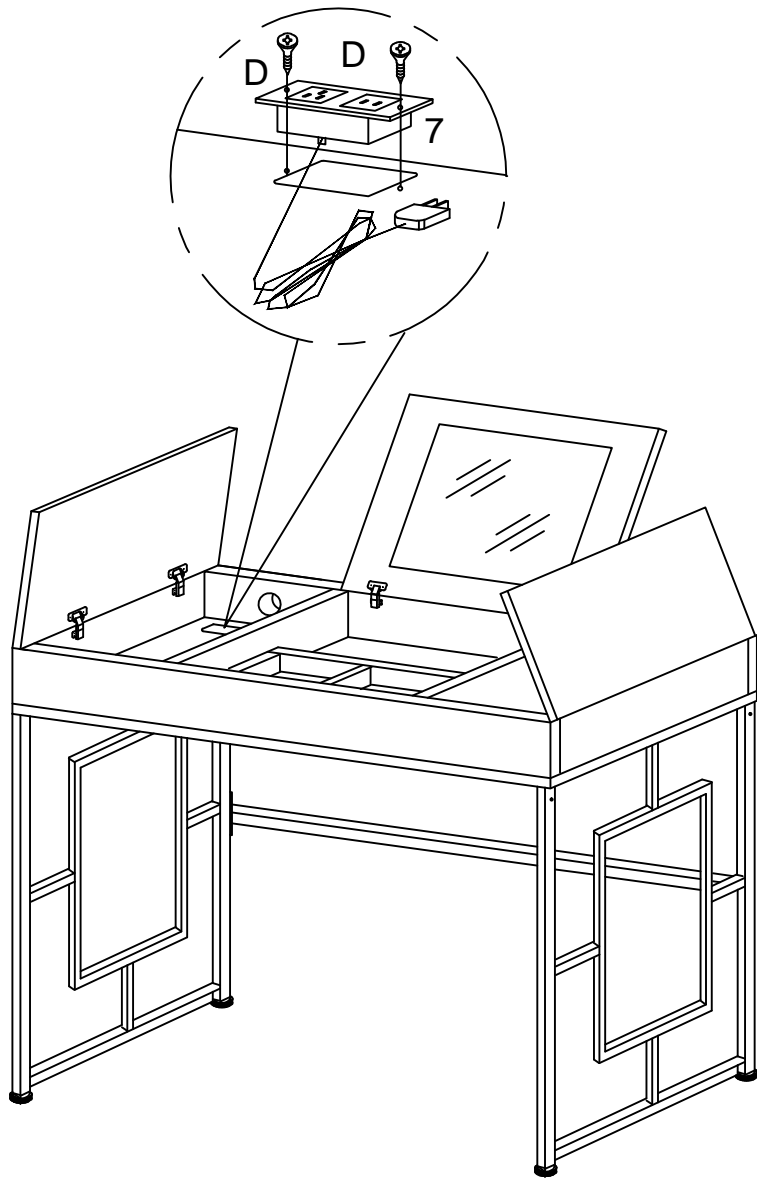
Use caps (E) to cover bolts (B).

STEP 4



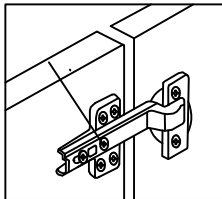
Put the jewelry box (6) and glass (5) into the table as shown.

STEP 5

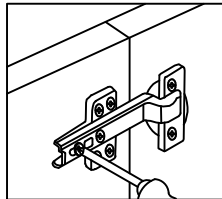


Use screws (D) to lock the USB (7) inside the table.

ADJUSTING UNEVEN TABLE TOP



SET SCREW



TIGHTEN SCREW

