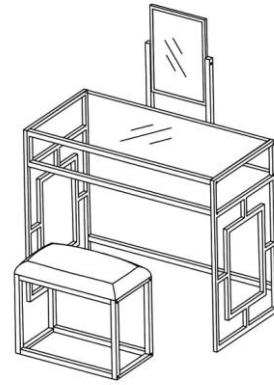

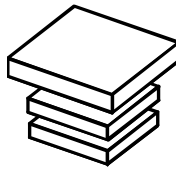
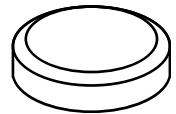
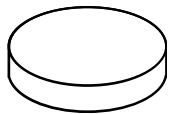
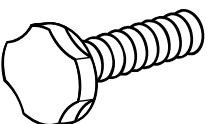
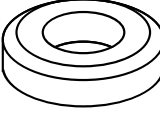
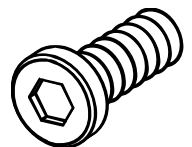
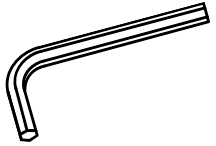



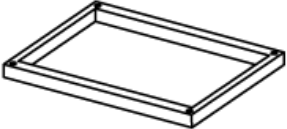

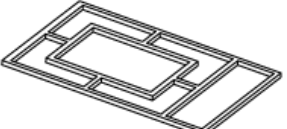
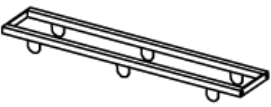
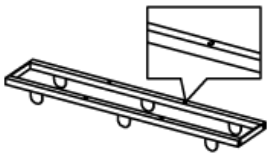
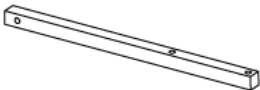
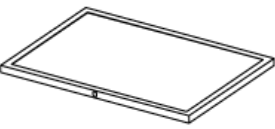
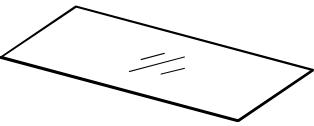


ITEM NO.90314



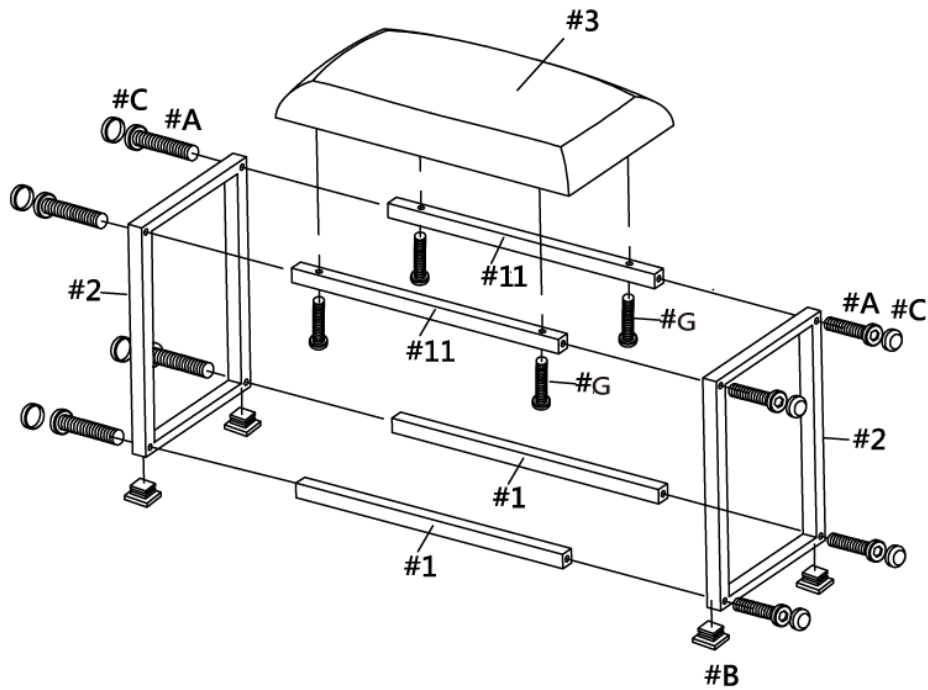
ASSEMBLY INSTRUCTIONS

| A | B | C | D |
|--|--|--|--|
|  <p>BOLT 1/4" x 1-1/2" 22PCS</p> |  <p>FOOT CAP 8PCS</p> |  <p>BOLT CAP 18PCS</p> |  <p>GLASS PAD 12PCS</p> |
| E | F | G | H |
|  <p>BOLT 2PCS</p> |  <p>NUT 2PCS</p> |  <p>BOLT 1/4" x 1-3/4" 4PCS</p> |  <p>ALLEN WRENCH 1PC</p> |

ASSEMBLY INSTRUCTIONS

| | | | |
|---|--|---|---|
| ① | ② | ③ | ④ |
|  STOOL BOTTOM STRETCHER 2PCS |  STOOL SIDE PANEL 2PCS |  CUSHION 1PC |  TABLE SIDE PANEL 2PCS |
| ⑤ | ⑥ | ⑦ | ⑧ |
|  TABLE FRONT FRAME 1PC |  TABLE BACK FRAME 1PC |  MIRROR STRETCHER 2PCS |  MIRROR 1PC |
| ⑨ | ⑩ | ⑪ | |
|  GLASS 2PCS |  TABLE BOTTOM STRETCHER 1PC |  STOOL TOP STRETCHER 2PCS | |

STEP 1

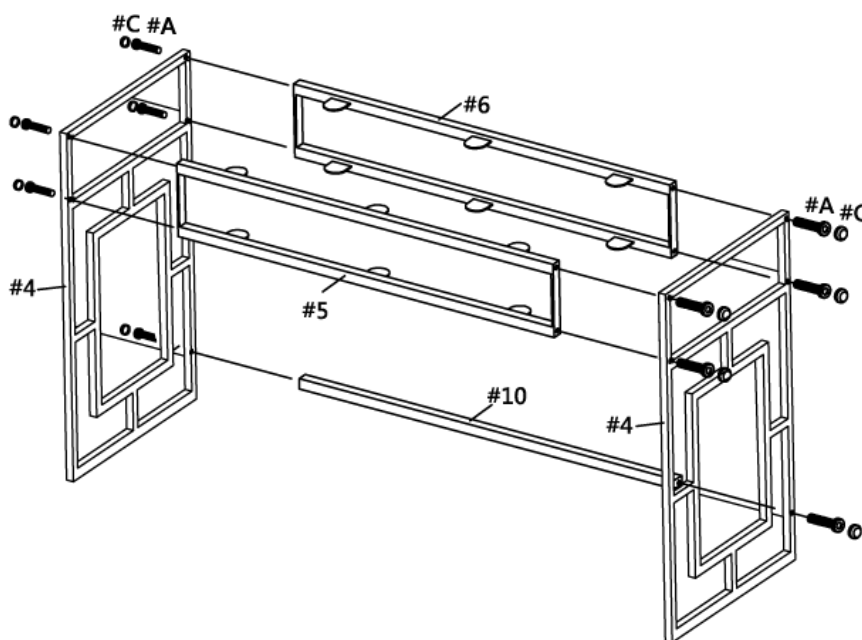


Attach stool side panels (2) to stool top stretchers (11) and stool bottom stretchers (1) together using bolt (A) as shown.

Attach cushion (3) to the assembled metal base using bolt (G) as shown.

Then, cover the bolts (A) by bolt caps (C), and insert foot caps (B) into the bottom of stool side panels (2) as shown.

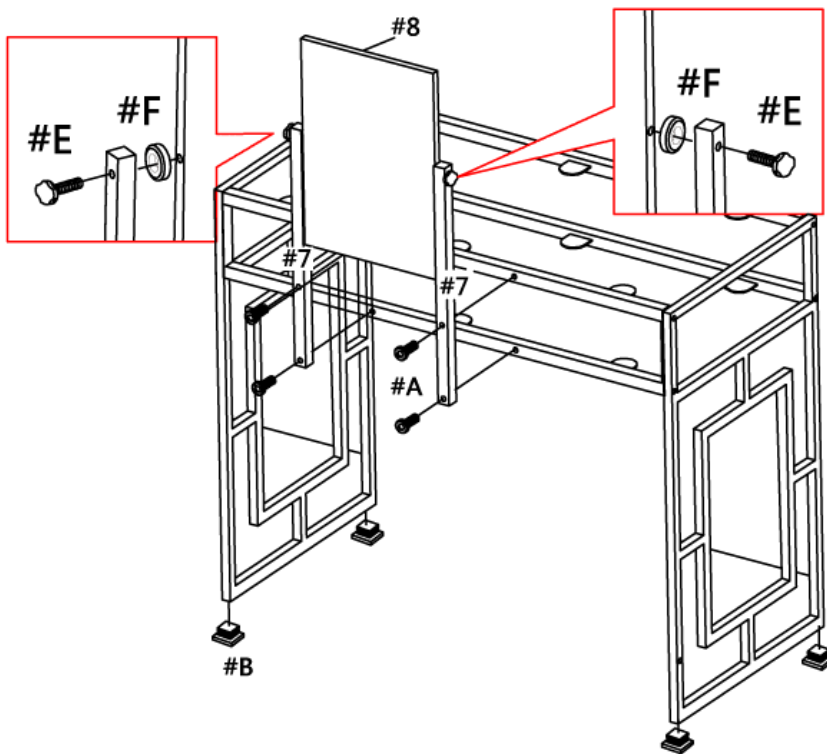
STEP 2



Attach table side panels (4) to table front frame (5), table back frame (6) and table bottom stretcher (10) together using bolt (A) as shown.

Then, cover the bolts (A) by bolt caps (C) as shown.

STEP 3

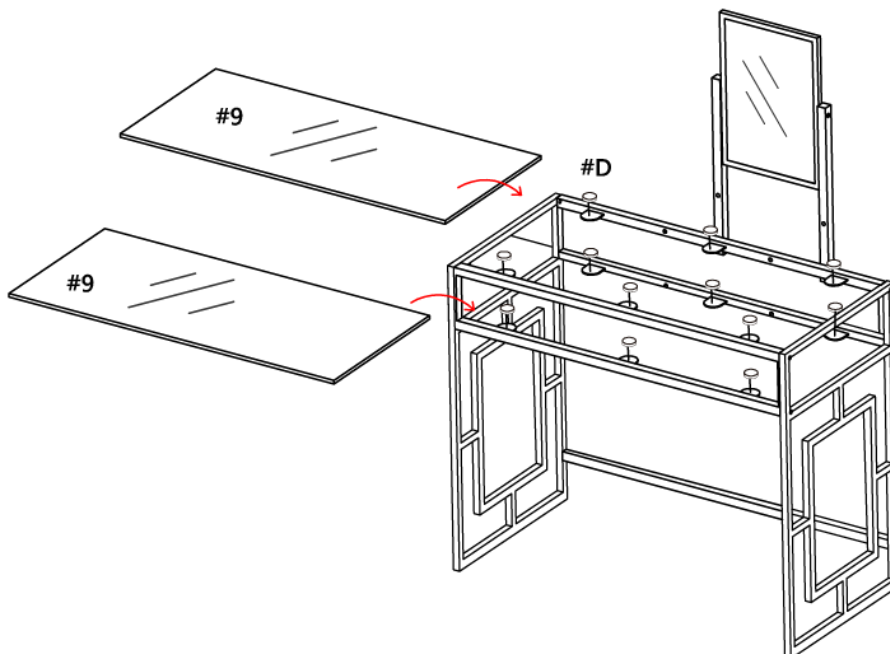


Attach mirror stretchers (7) to the table frames using bolts (A) as shown.

Align mirror stretchers (7) to the holes of the mirror (8).

Make sure to place the nuts (F) in-between the holes of the mirror (8) and mirror stretchers (7), then screw the bolt (E) tightly.

STEP 4



Attach glass pads (D) to the table frames, then carefully place the glass (9) to the table as shown.