

Assembly Instruction

Figure 1

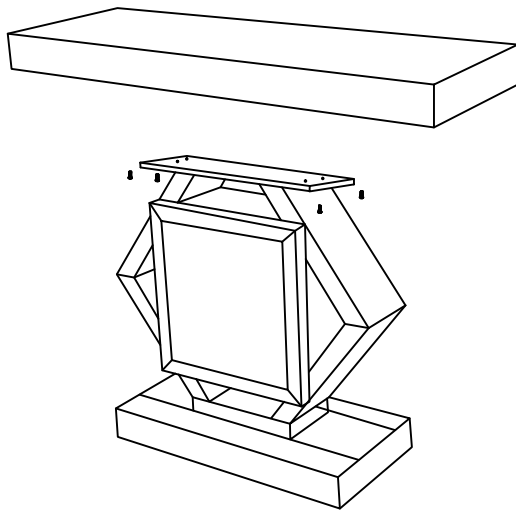
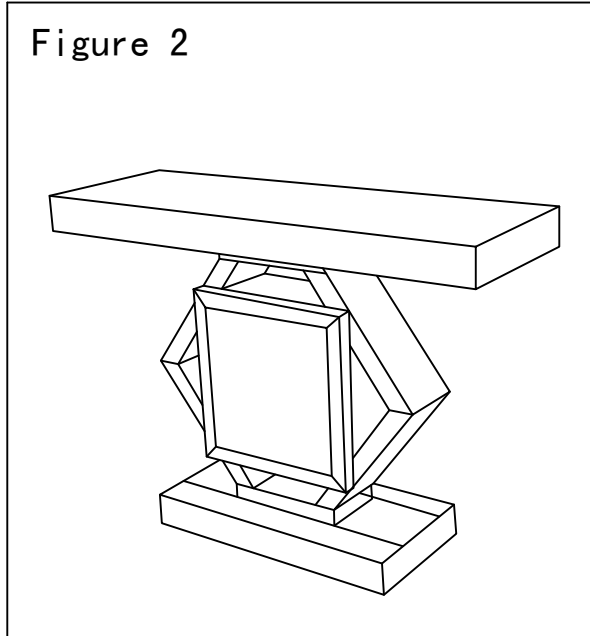

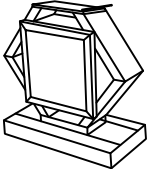




Figure 2



Parts Details

| PART NO | | QTY |
|---------|--|------|
| A |  | 1PC |
| B |  | 1PC |
| 1 |  | 4PCS |
| 2 |  | 1PC |