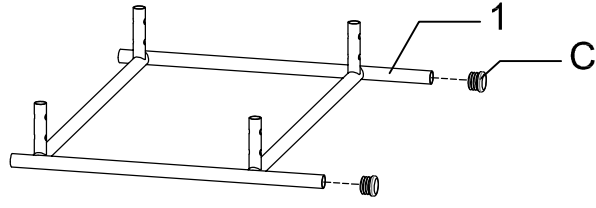


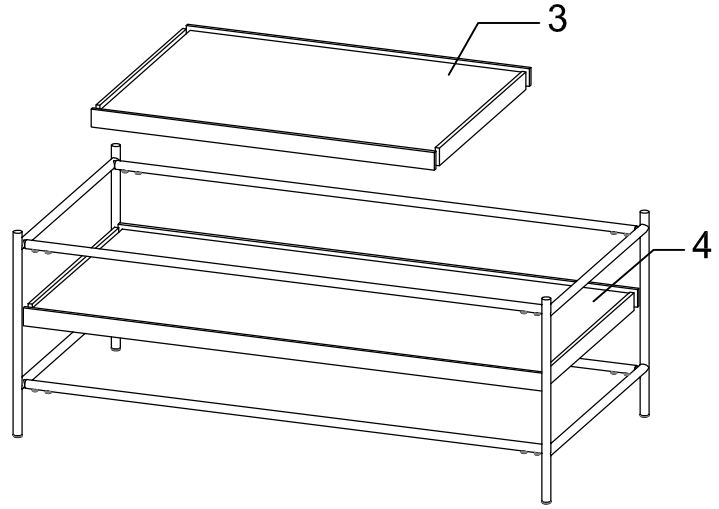
**\*\* Do not tighten any bolts until all of them have been started !**

MODEL ITEM #85675

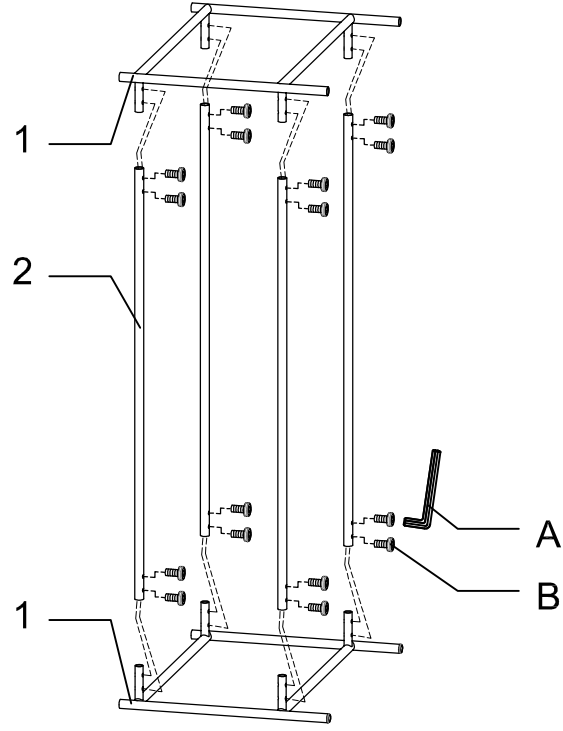
Step 1.



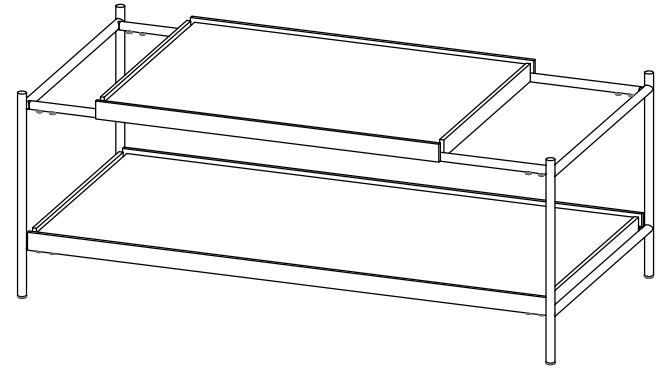
Step 3.



Step 2.

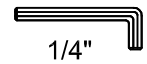


Step 4.



**ACCESSORY PACK**

A



1/4"

1PC

B



16PCS

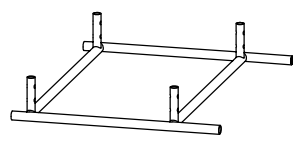
C



4PCS

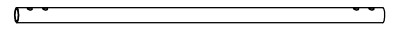
**COMPLETE HARDWARE**

1



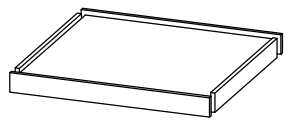
2PCS

2



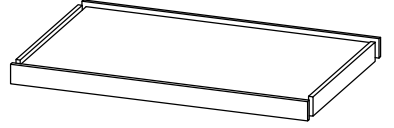
4PCS

3



1PC

4

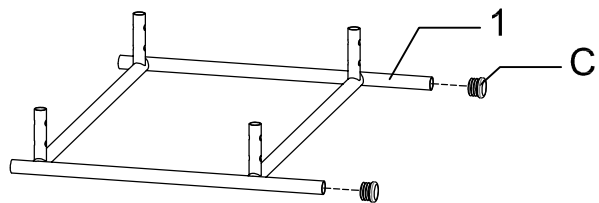


1PC

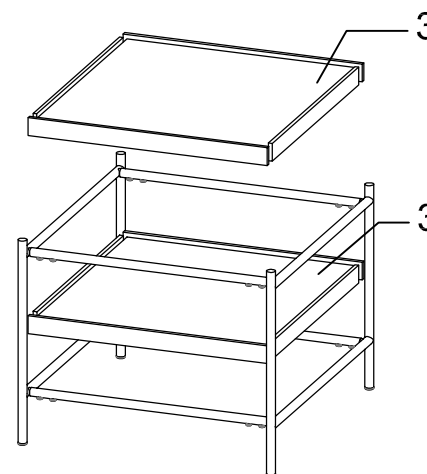
**\*\* Do not tighten any bolts until all of them have been started !**

MODEL ITEM #85677

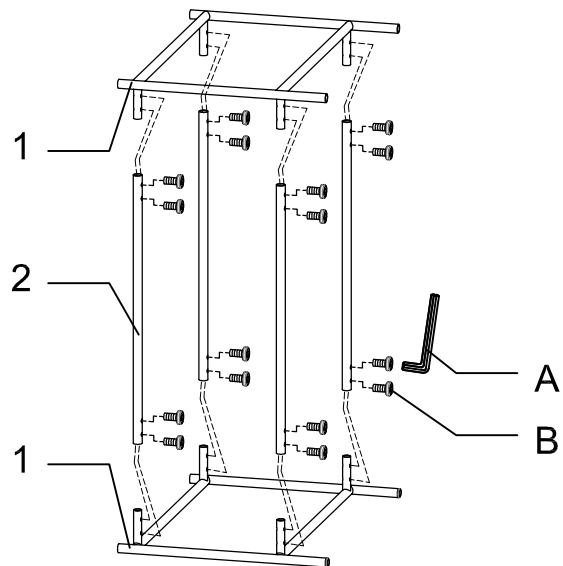
Step 1.



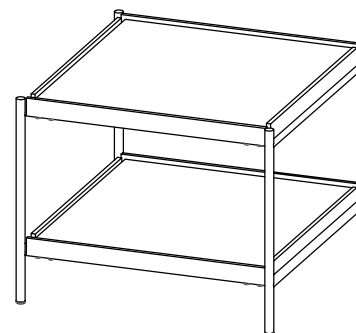
Step 3.



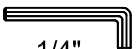
Step 2.





Step 4.



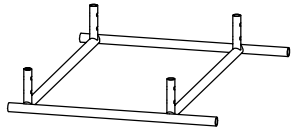
### ACCESSORY PACK

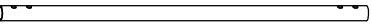
A  1/4"   
 1PC


B    
 16PCS

C    
 4PCS

### COMPLETE HARDWARE

1    
 2PCS

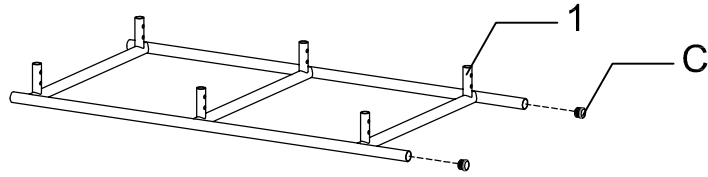
2    
 4PCS

3    
 2PCS

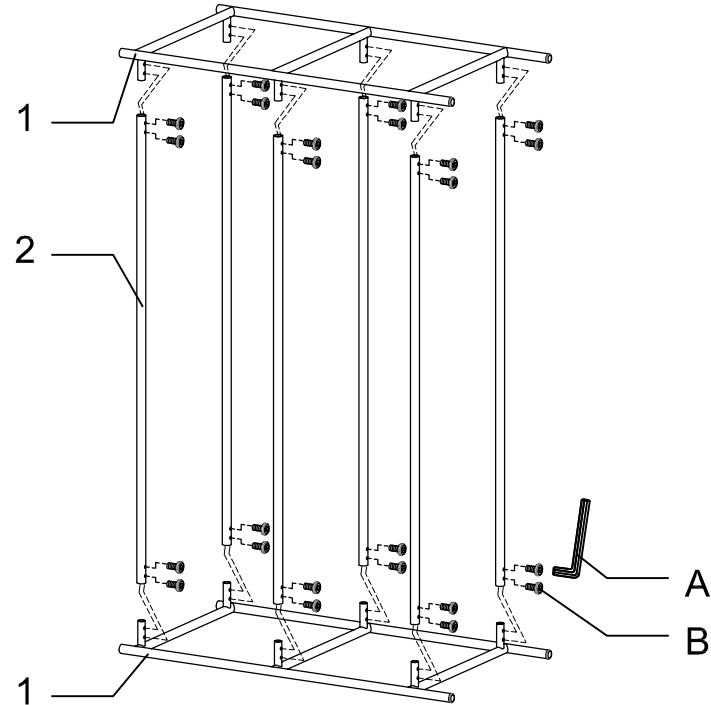
**\*\* Do not tighten any bolts until all of them have been started !**

MODEL ITEM #85678

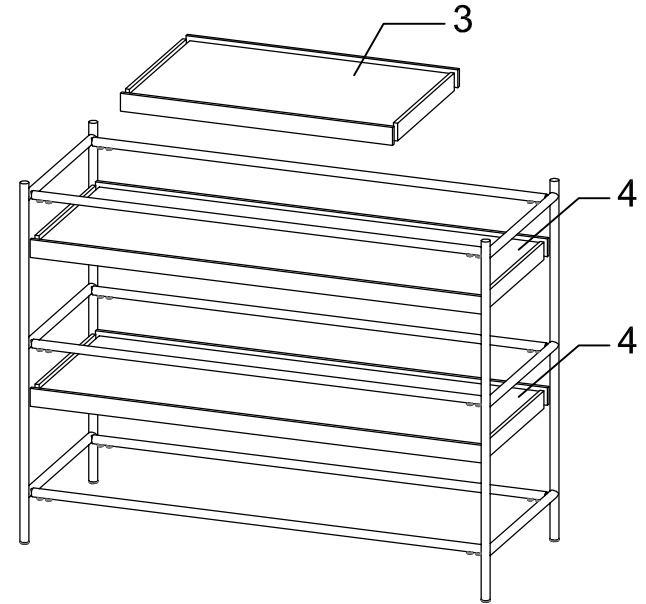
Step 1.



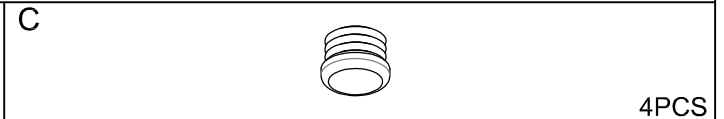
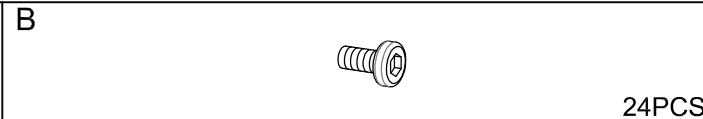
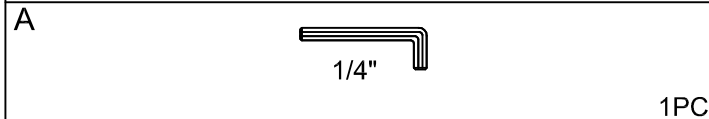
Step 2.



Step 3.



### ACCESSORY PACK



### COMPLETE HARDWARE

