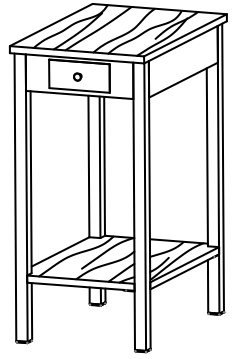
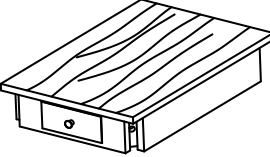
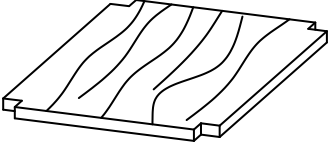
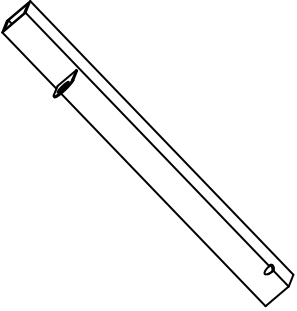
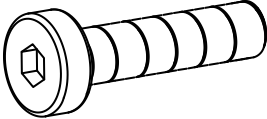
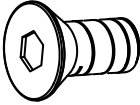
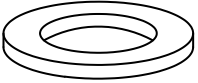
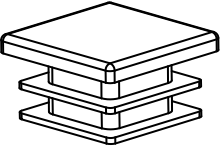
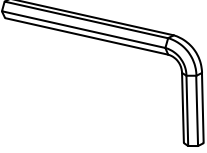


**ITEM NO.84652**

**ITEM NO.84653**

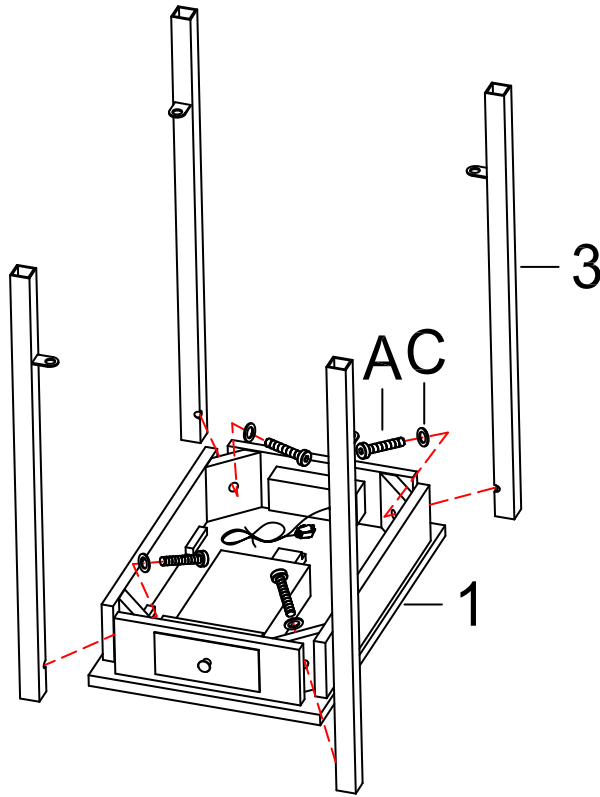


**ASSEMBLY INSTRUCTIONS**

1	2	3
 <p><b>WOOD DRAWER WITH KNOB 1PC</b></p> <p><b>A</b></p>	 <p><b>WOOD SHELF 1PC</b></p> <p><b>B</b></p>	 <p><b>LEGS 4PCS</b></p> <p><b>C</b></p>
 <p><b>BOLT 1/4"x1-1/2" 4PCS</b></p> <p><b>D</b></p>	 <p><b>BOLT 1/4"x1/2" 4PCS</b></p> <p><b>E</b></p>	 <p><b>FLAT WASHER 4PCS</b></p>
 <p><b>FOOT CAP 4PCS</b></p>	 <p><b>ALLEN WRENCH 1PC</b></p>	

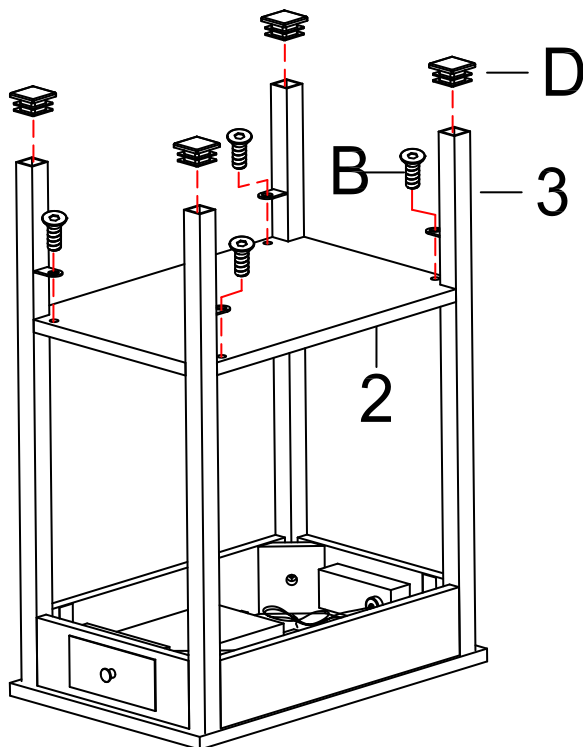
**\*\*\* Do not tighten screws & bolts until the entire unit is completely assembled. \*\*\***

## STEP 1



Attach legs (3) to wood drawer (1) using flat washers (C) and bolts (A) as shown.

## STEP 2



Attach wood shelf (2) to legs using bolts (B), and attach foot cap (D) to bottom of legs as shown.

Tighten all bolts and carefully turn the assembled unit upright.