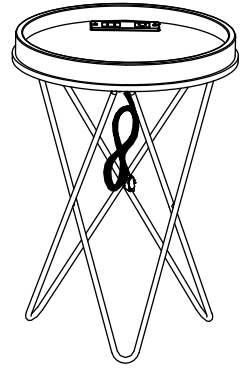
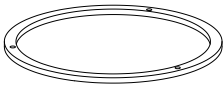
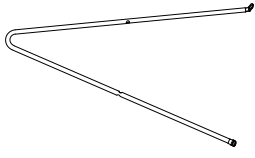
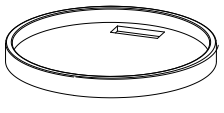

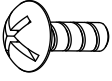
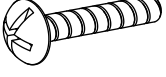

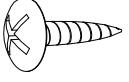


ITEM NO.84651

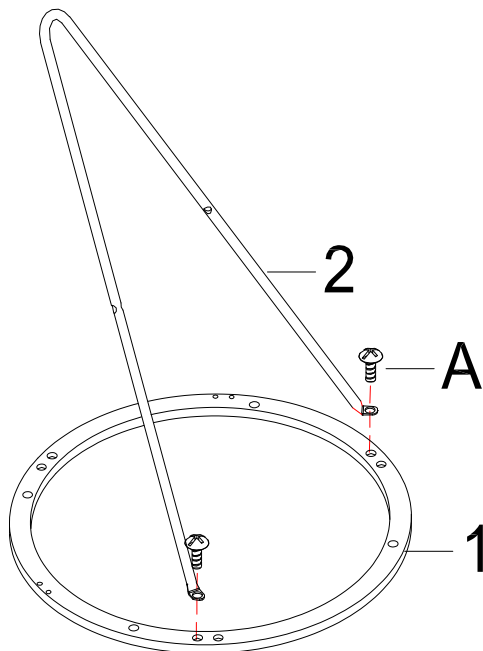


ASSEMBLY INSTRUCTIONS

1	2	3	4
			
METAL FRAME 1PC	LEGS 3PCS	TRAY 1PC	USB DEVICE 1PC
A	B	C	D
			
BOLT 3/16" X 3/8" 6PCS	BOLT 3/16" X 3/4" 3PCS	SCREW M8 X 7/8" 4PCS	SCREW 2PCS

*** Do not tighten screws & bolts until the entire unit is completely assembled. *****

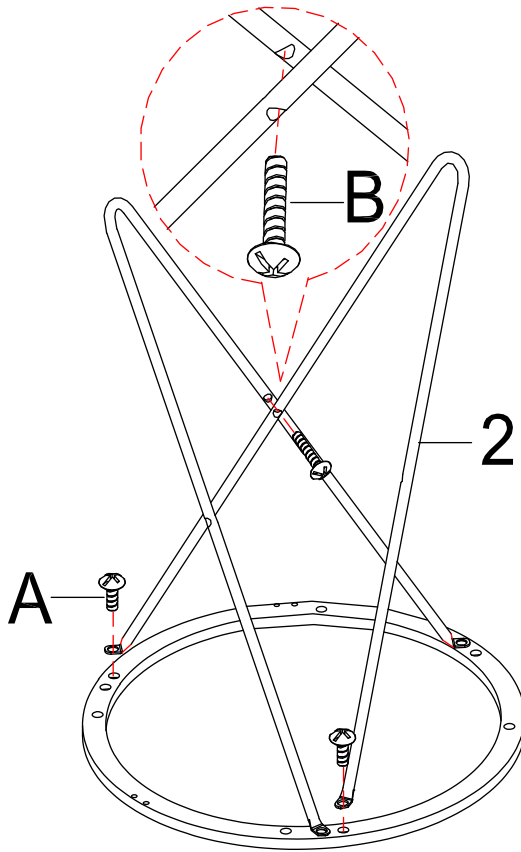
STEP 1



*Please put all parts on a soft surface to prevent scratches.

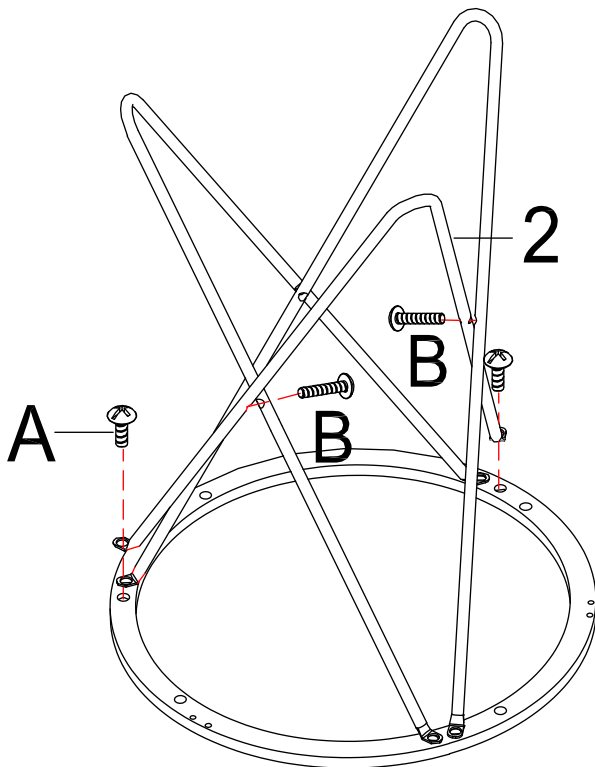
Attach one of legs (2) to metal frame (1) by using bolts (A) as shown.

STEP 2



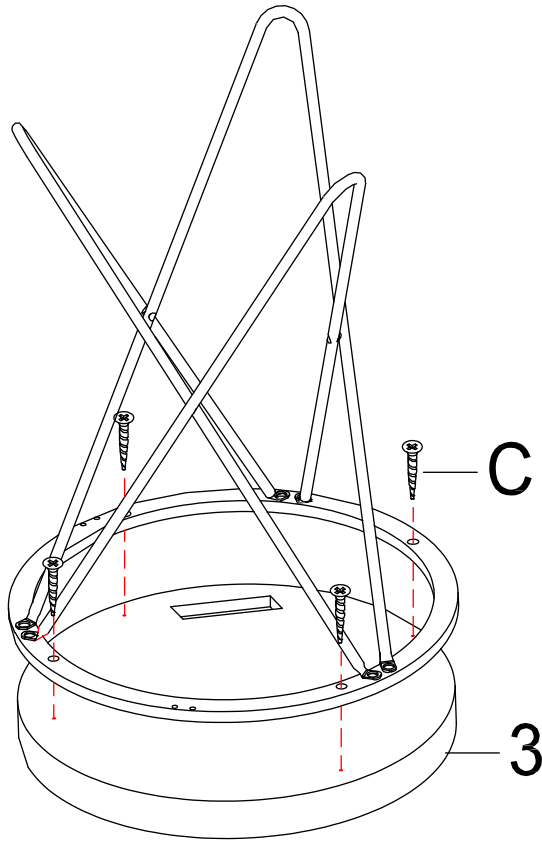
Repeat same step as step one that attach another leg (2) to metal frame (1) by using bolts (A) and use bolt (B) to fix the two legs together as shown.

STEP 3



Repeat the step as step 2 that attach last leg (2) to metal frame (1) by using bolts (A) and use bolts (B) to fix all legs together as shown.

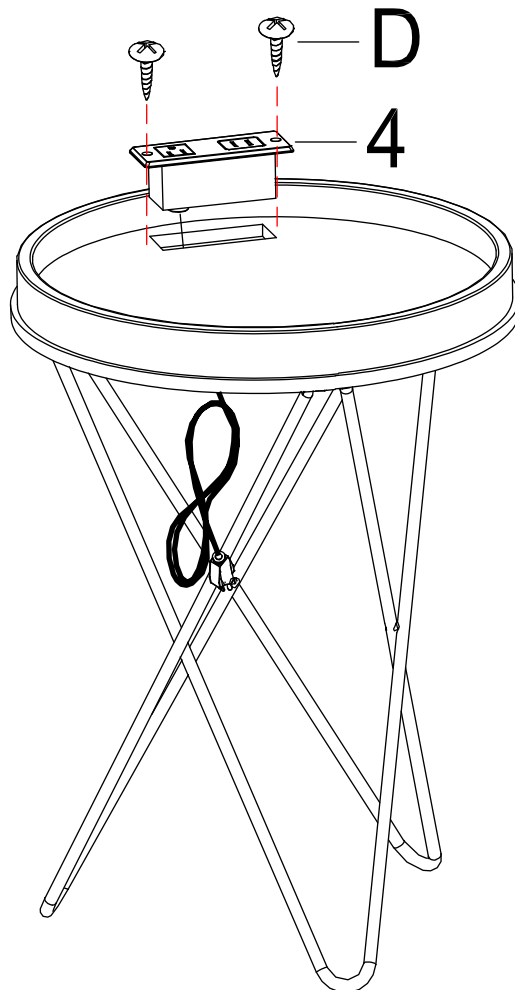
STEP 4



Attach the assembled unit to tray (3) by using screws (C) as shown.

Tighten all bolts and carefully turn the assembled unit upright.

STEP 5



Attach USB device (4) to tray (3) by using screws (D) as shown.

Your charging station is now complete.