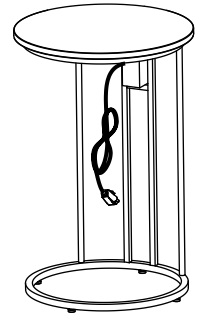
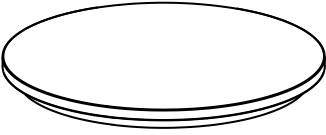
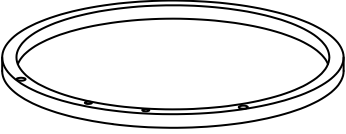
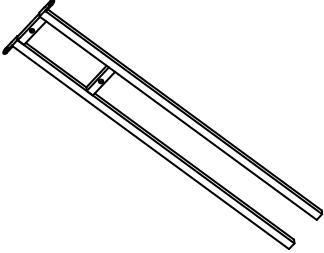
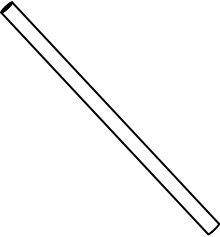
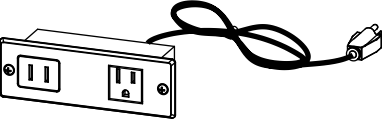
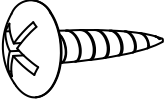
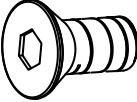
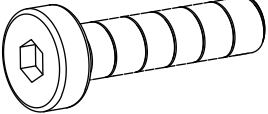
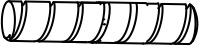
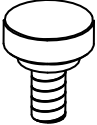
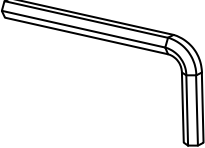


# ITEM NO.84650

## CHARGING STATION

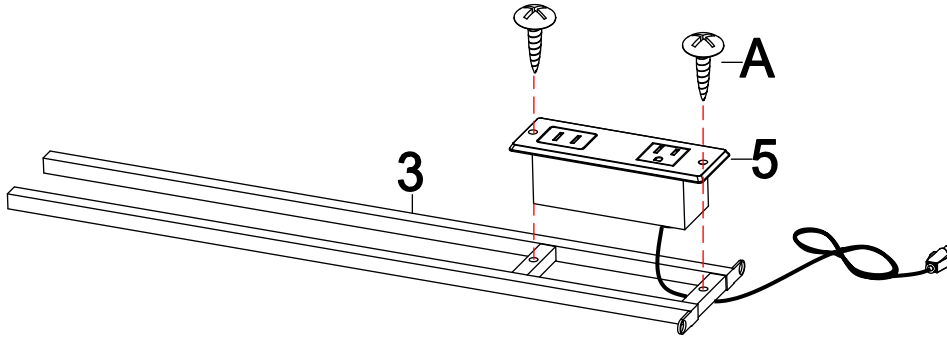


### ASSEMBLY INSTRUCTIONS

<p>1</p>  <p><b>WOOD TOP W/METAL FRAME</b> 1PC</p>	<p>2</p>  <p><b>BOTTOM FRAME</b> 1PC</p>	<p>3</p>  <p><b>BACK SUPPORT</b> 1PC</p>
<p>4</p>  <p><b>SUPPORT</b> 2PCS</p>	<p>5</p>  <p><b>USB DEVICE</b> 1PC</p>	
<p><b>A</b></p>	<p><b>B</b></p>	<p><b>C</b></p>
 <p><b>SCREW #6 X 1/2"</b> 2PCS</p>	 <p><b>BOLT 1/4" X 1/2"</b> 2PCS</p>	 <p><b>BOLT 1/4" X 1-1/2"</b> 4PCS</p>
<p><b>D</b></p>	<p><b>E</b></p>	
 <p><b>THREADED STUD</b> 2PCS</p>	 <p><b>LEVELER</b> 4PCS</p>	 <p><b>ALLEN WRENCH</b> 1PC</p>

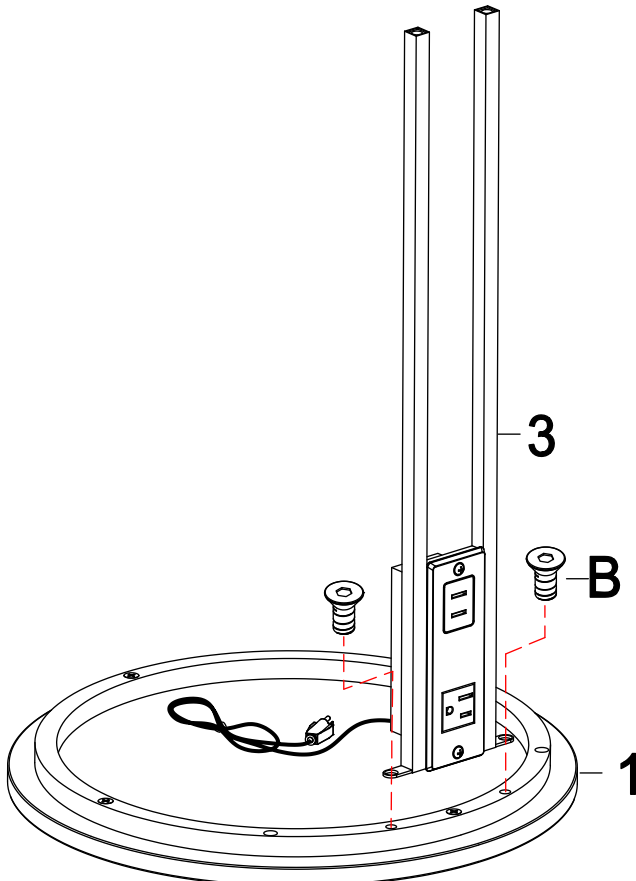
**\*\*\* Do not tighten screws & bolts until the entire unit is completely assembled. \*\*\***

## STEP 1



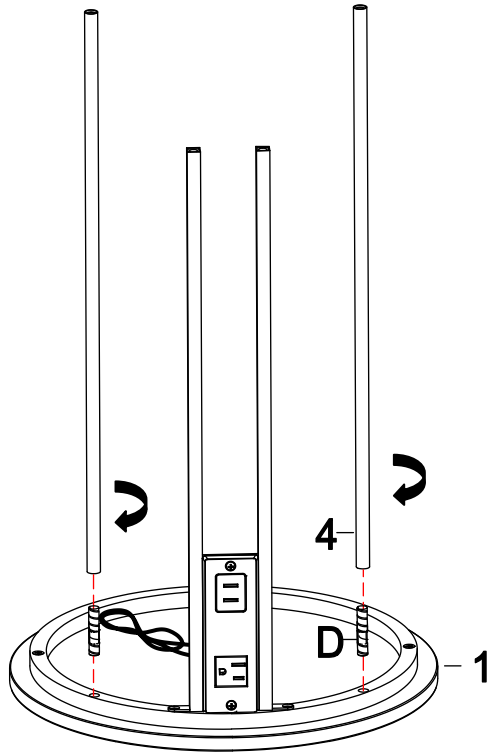
Attach USB device (5) to back support (3) by using bolt (A) as shown.

## STEP 2



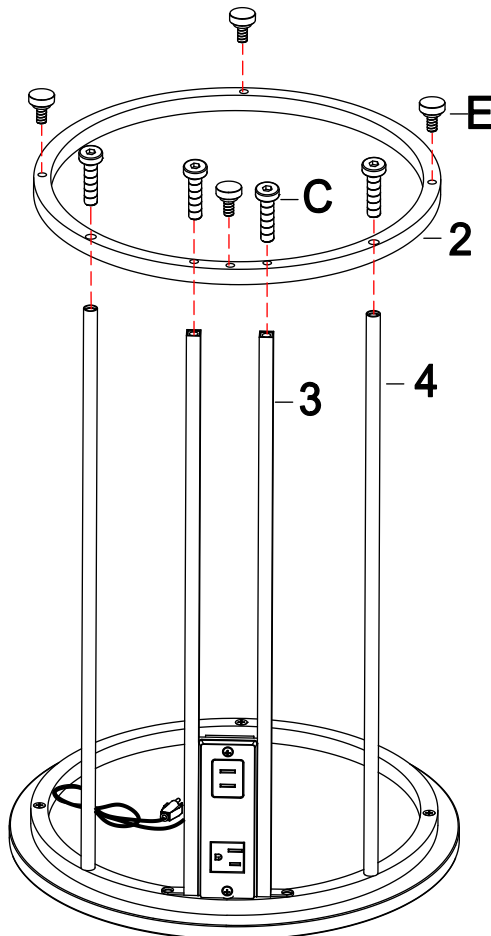
Attach back support (3) to wood top w/metal frame by using bolt (B) as shown.

### STEP 3



Attach threaded stud (D) to wood w/metal frame (1) first, and attach supports (4) to threaded stud (D) as shown.

### STEP 3



Attach bottom frame (2) to supports (3) and (4) by using bolt (C), and attach levelers (E) to bottom frame as shown.

Tighten all bolts and carefully turn the assembled unit upright.