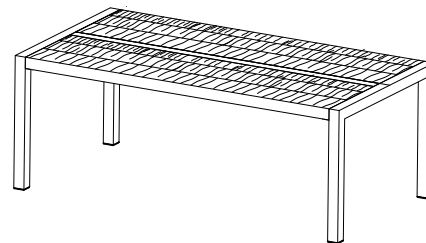
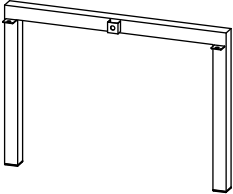
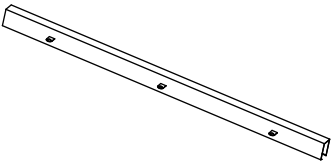
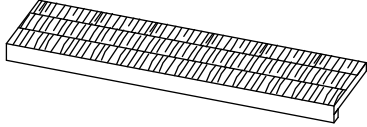
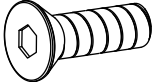
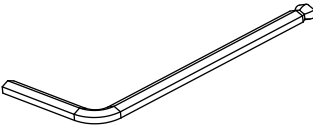


ITEM NO.84645 COFFEE TABLE

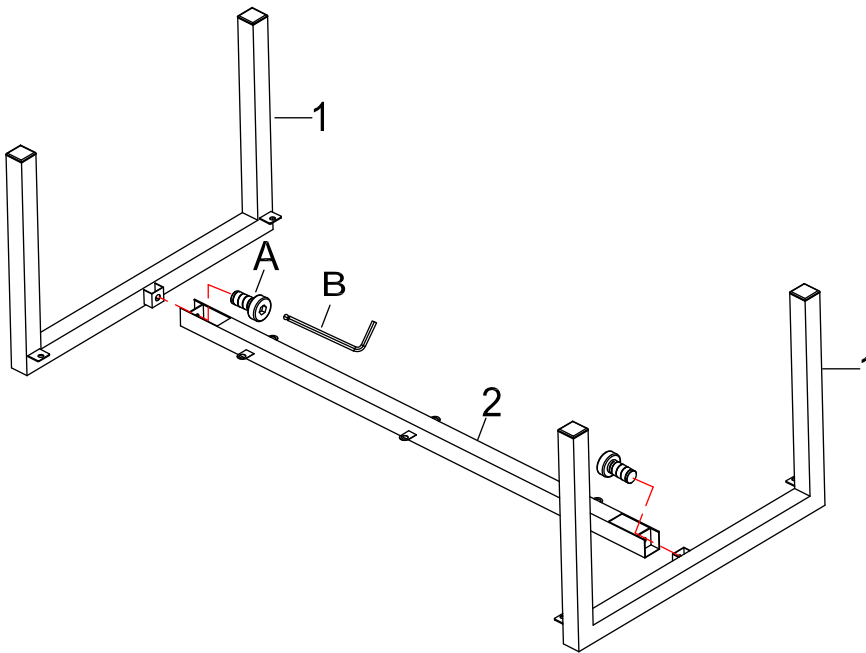


ASSEMBLY INSTRUCTIONS

1	2	3
 <p data-bbox="223 996 391 1064">SIDE PANEL 2PCS</p>	 <p data-bbox="710 996 885 1064">STRETCHER 1PC</p>	 <p data-bbox="1212 996 1364 1064">WOOD TOP 2PCS</p>
<p data-bbox="295 1079 316 1108">A</p>	<p data-bbox="790 1079 810 1108">B</p>	
 <p data-bbox="191 1415 414 1482">BOLT 1/4" X 5/8" 12PCS</p>	 <p data-bbox="678 1415 917 1482">ALLEN WRENCH 1PC</p>	

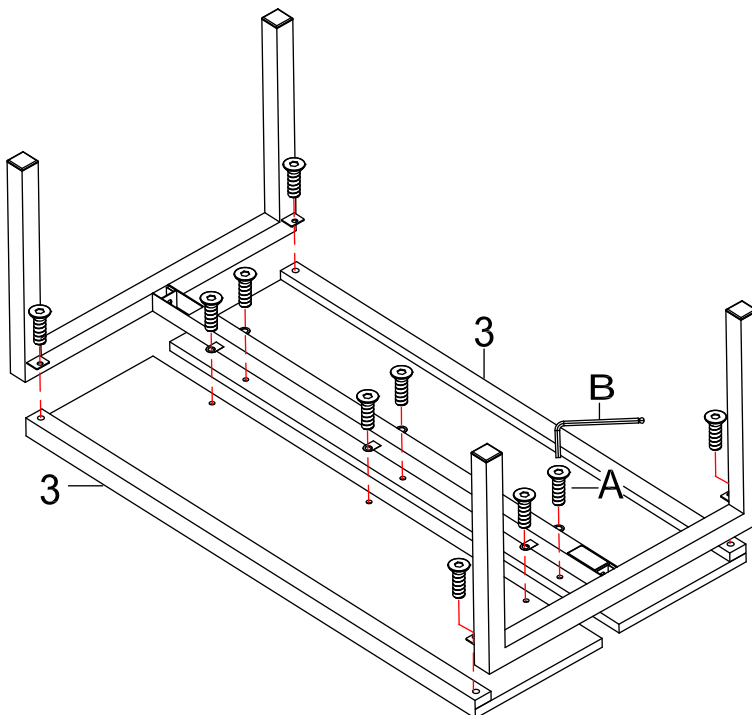
***** Do not tighten screws & bolts until the entire unit is completely assembled. *****

STEP 1



Attach stretcher (2) to side panels (1) by using bolts (A) and allen wrench (B) as shown.

STEP 2



Attach wood top (3) to side panels (1) and stretcher (2) by using bolts (A) and allen wrench (B) as shown.

Tighten all bolts and carefully turn the assembled unit upright.

Your coffee table is now complete.